

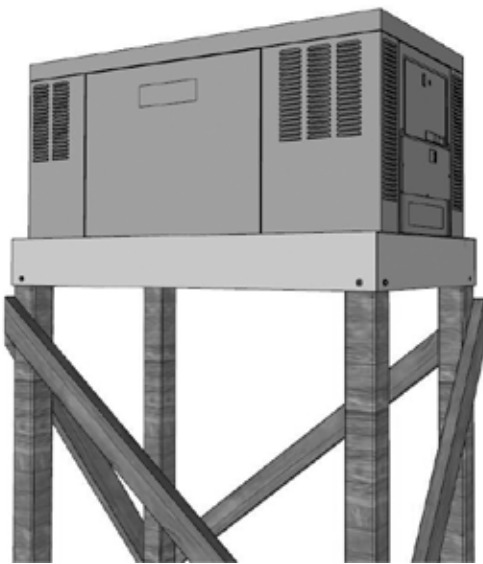
# INSTALLATION GUIDE



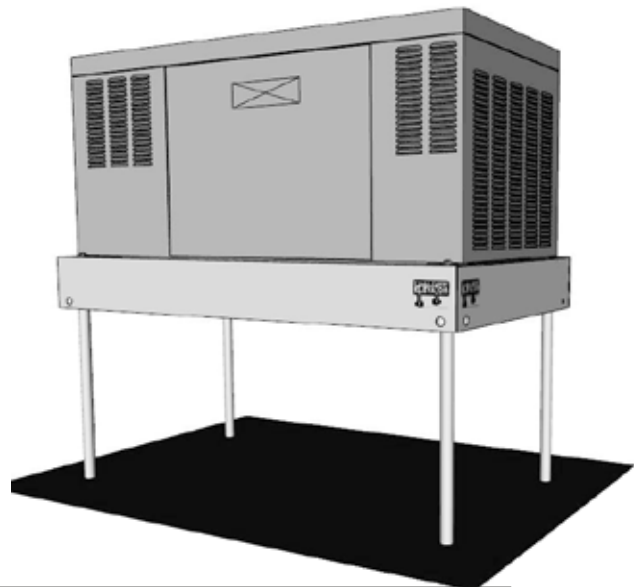
## FOUNDATION SCREWS AND PLATFORM

# 10705 - 10706 - 10707

WITH 4" X 4" - POST



WITHOUT 4" X 4" - POST



### Question? - Contact us:

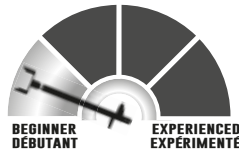
First contact our friendly customer service team for assistance.

Email: [info@pylex.com](mailto:info@pylex.com) or call: 1-800-264-1881

Monday to Friday: 8:30am to 4:30pm UTC

Replacement for damaged or missing parts will be shipped promptly.

Rev.: 32-0704



**10707**  
Platform



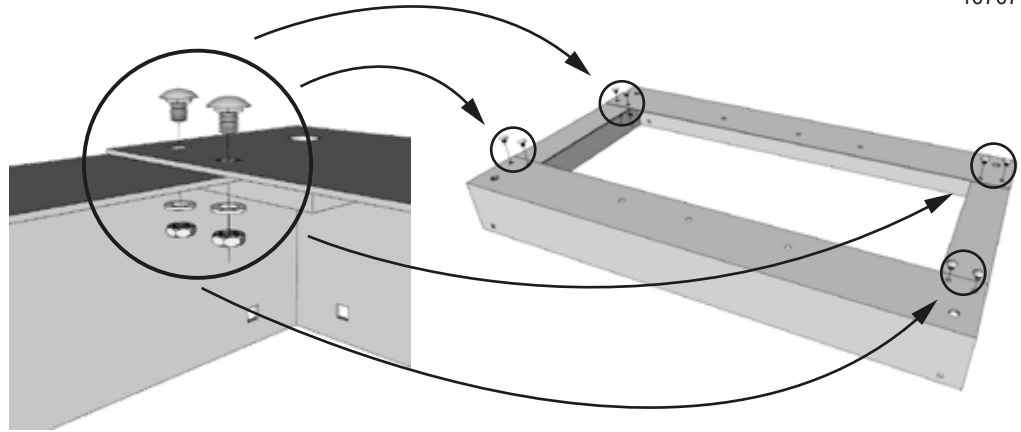
**10705-06**  
Foundation System

**DECK AND FENCE HARDWARE**

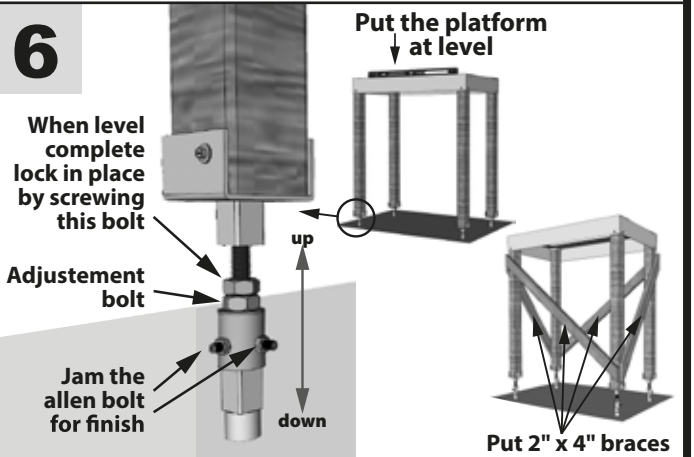
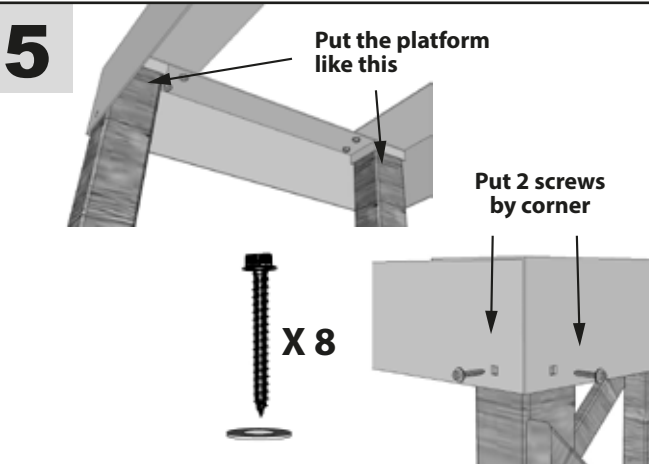
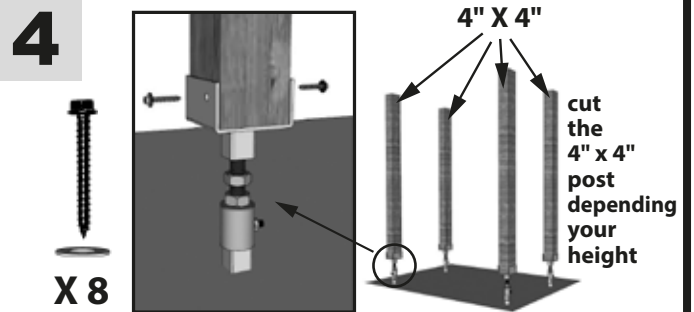
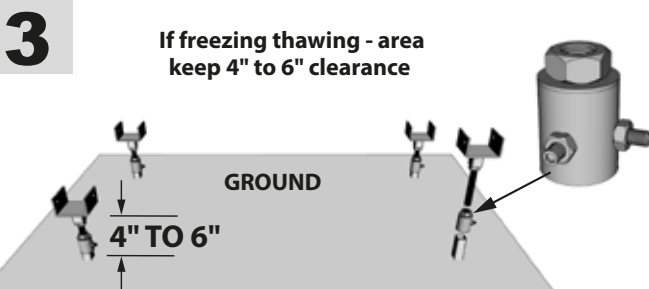
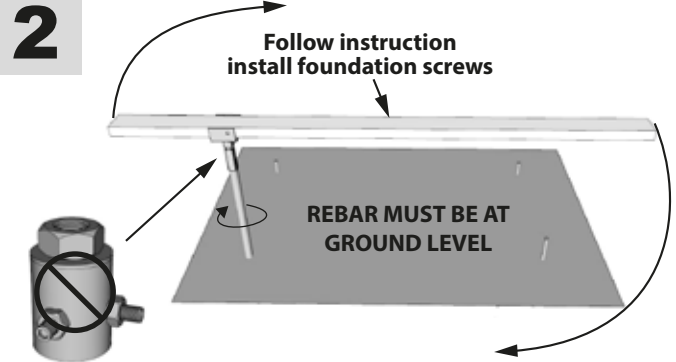
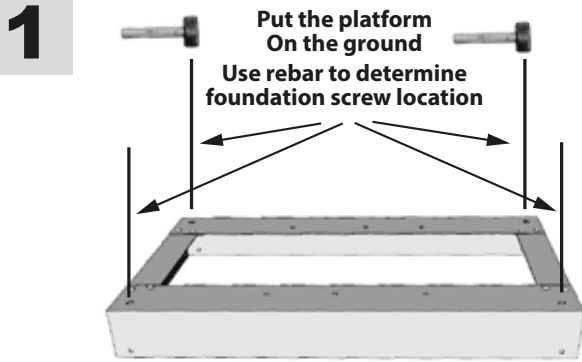
**WWW.PYLEX.COM / 1 800-264-1881**

# PLATFORM

#10707



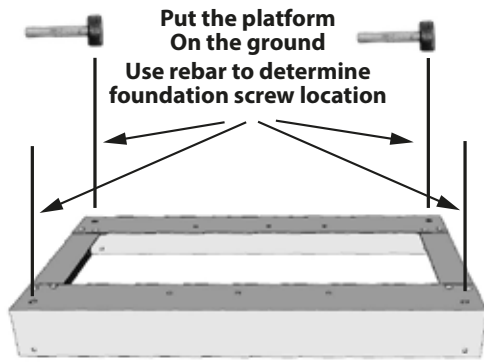
## FOUNDATION SYSTEM WITH 4" X 4" - POST



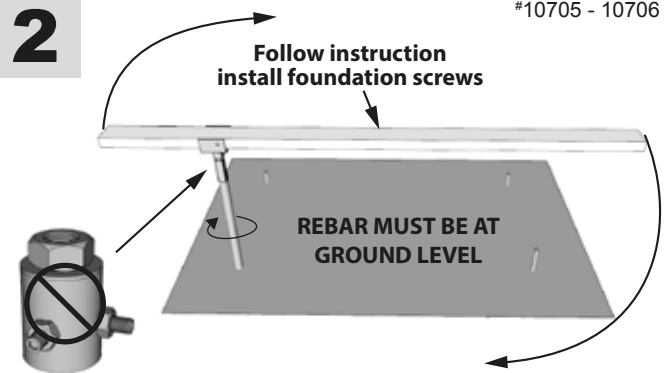
# FOUNDATION SYSTEM WITHOUT 4" X 4" POST

#10705 - 10706

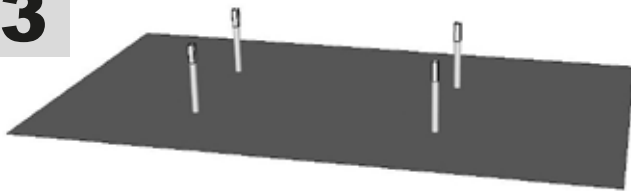
**1**



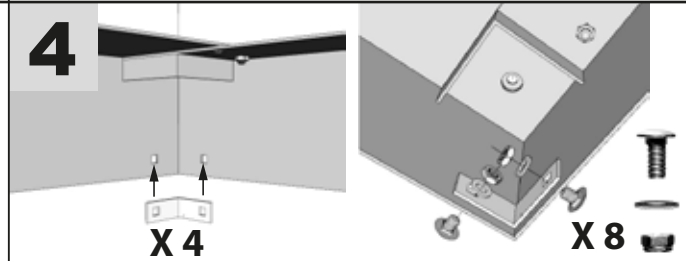
**2**



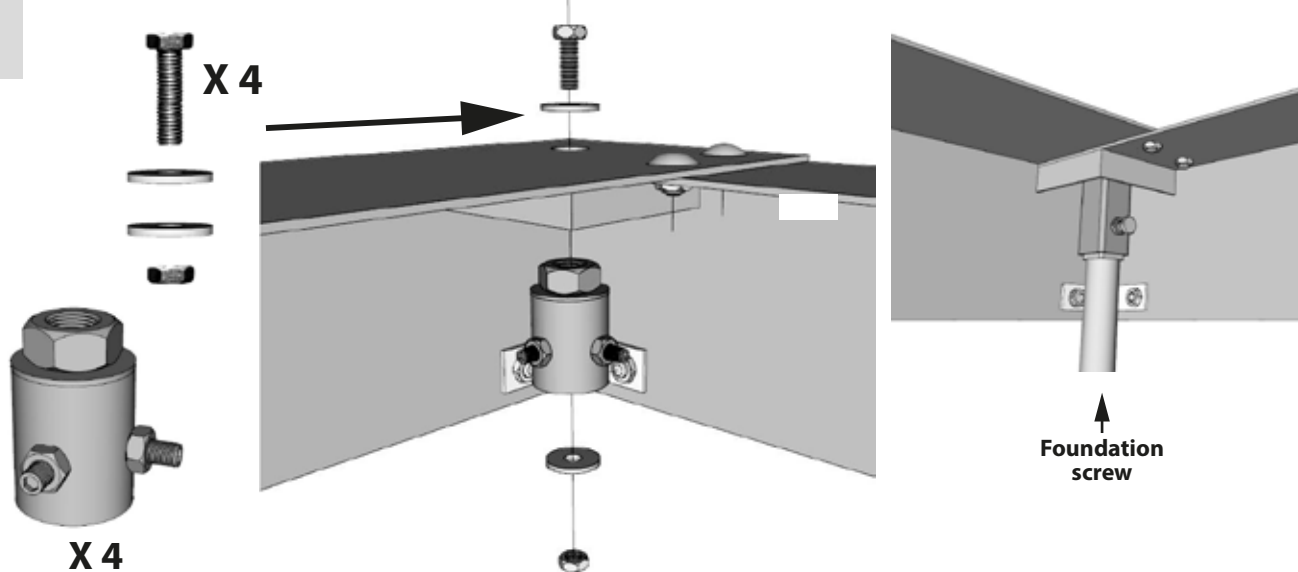
**3**



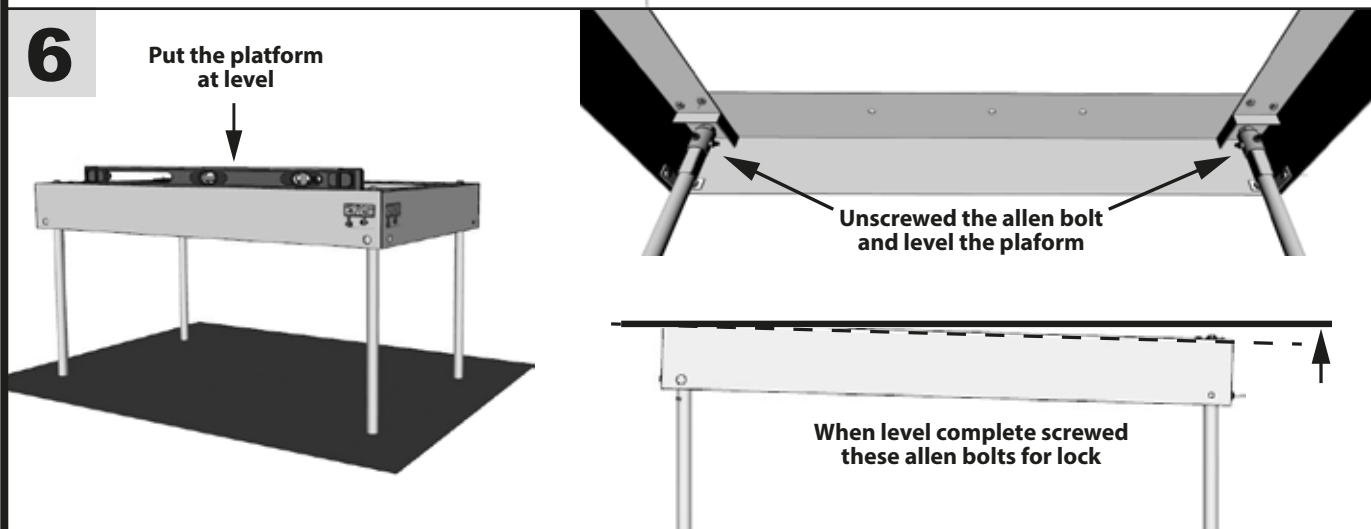
**4**



**5**



**6**

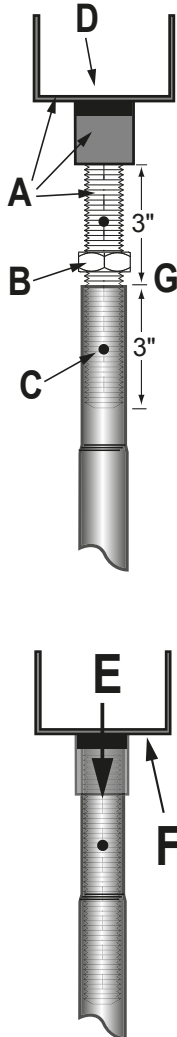


# INSTALLATION

#10705 - 10706



## PYLEX FOUNDATION SCREW ADJUSTABLE



- 1- Slightly unscrew the set screw (C) using a Allen key (not included).** Remove the adjustable head (A) and unscrew the adjustment nut (B) completely.

Insert the adjustable head (E) in the square tube, then with a sharp blow (Picture 1) push the Pylex into the ground to the cutting edge of the disk.

Screw it in soil by hand a few times to bury the disk.

- 2- Insert a (2" X 4") (Picture 2) in the "U" shaped bracket (D) and "screw" the Pylex in soil.** (Circle around the Pylex using 2" X 4"). When the bottom of the "U" (F) will be approximately 12" from the soil, hit with a mass (3-4 good shots) in the "U" shaped bracket to check soil compaction; if the Pylex does not sink easily your soil has a good compaction.\* You can continue to "screw" until the bottom of the "U" shaped bracket (F) is 4" to 6" of soil, hit with a mass (3-4 times) inside the "U" to ensure good soil compaction below the disk. Keep a distance of 4" to 6" between the underside of the "U" shaped bracket (F) and the ground. (sandy soil leave 4" and a clay soil leave 6").

- 3- Once the adjustable Pylex is in place remove the adjustable head and screw the adjustment nut (B) on the threaded rod and replace the adjustable head in place.**

Attach the 4" X 4" in the "U" shaped bracket (D) and screw the Pylex with wood screws on each side (not included). To level (about 3 inches adjustment) - screw or unscrew the nut (Picture 3). **Replace the set screw (C) and tighten on the threaded rod** for avoid the head move. Leave a **minimum of 3 inches** of threaded rod inside the tube (G).

**BEFORE INSTALLING THIS PRODUCT :**  
PLEASE MAKE SURE YOU OBSERVE  
ALL BUILDING CODES IN YOUR AREA.

**Can support up to 5000 lbs depending on soil composition.**

*\* If the Pylex sinks too easily : It is strongly suggested to use an extension tube (Product 10571) for better compaction under the disk. The use of stabilizers (product 10575) may be required to stabilize a patio lateral movement.*

**WWW.PYLEX.COM • 1 800 264-1881**

REV.: 24-0626



## RATE US!



### **Satisfied with your Pylex product?**

Please let us know by sharing pictures with us at [info@pylex.com](mailto:info@pylex.com)

You can also write a review online  
about your purchase.

*(By sending your image, you agree to give Pylex the right to it in its marketing activities).*

*Thank you!*

---

### **YOU LIKED OUR PRODUCT?**

Visit our website: [www.pylex.com](http://www.pylex.com) to see all our products  
or **scan this QR code** to have access to our catalog!



### **Pylex Guarantee Certificate**



Follow us on:

