

Here is the most recent version of the installation video



Here you have the most recent version of the installation guide



INSTALLATION GUIDE **ALUMINUM STAIR STRINGER CONNECTOR & POST**

COLLECTION 11 (10-1/4")

16020-50



Question? - Contact us:

First contact our friendly customer service team for assistance.

Email: info@pylex.com or call: 1-800-264-1881

Monday to Friday: 8:30am to 4:30pm UTC

Replacement for damaged or missing parts will be shipped promptly.

Rev.: 42-0226

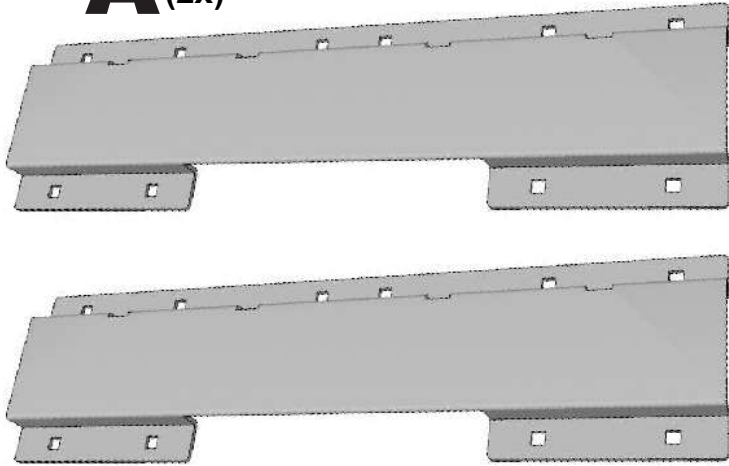


DECK AND FENCE HARDWARE

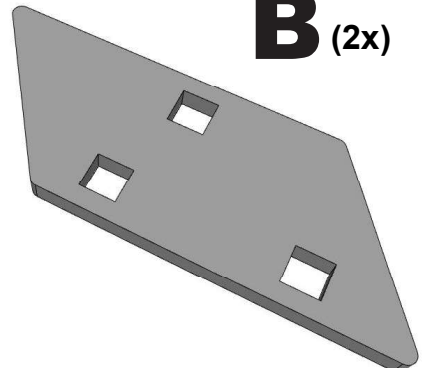
WWW.PYLEX.COM / 1 800-264-1881

PARTS LIST

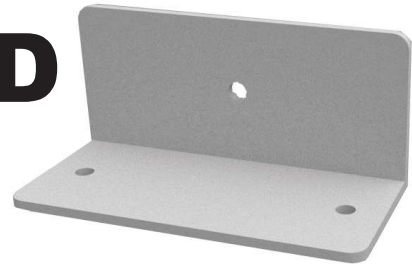
A (2x)



B (2x)



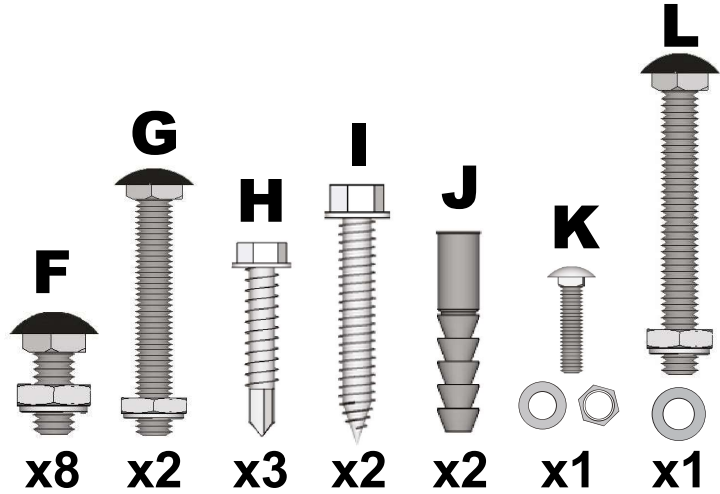
D



C



E (2x)

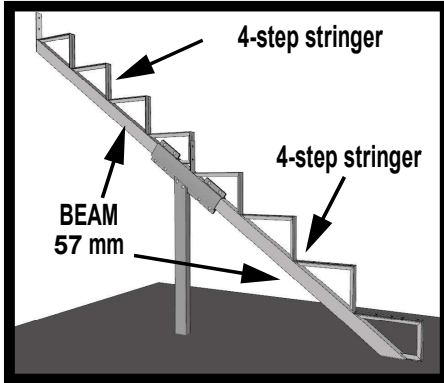


NECESSARY TOOLS

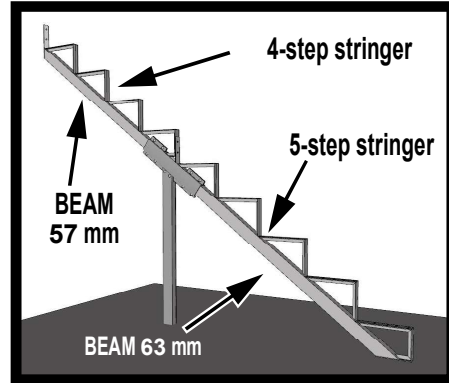


Before installing this product, make sure it complies with local building codes. Check with your municipality to avoid reaching underground or public installations. This product can be potentially dangerous if used improperly. Products Pylex is not responsible for any damage or loss caused by the use of this product.

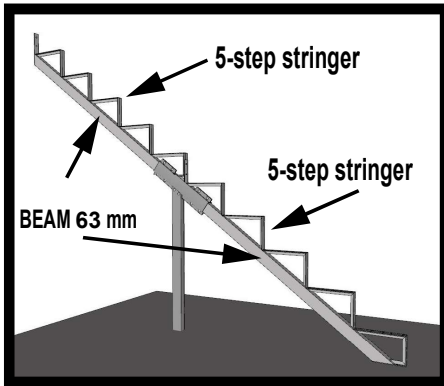
8 STEPS



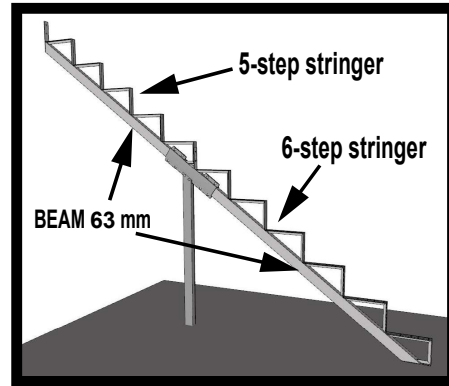
9 STEPS



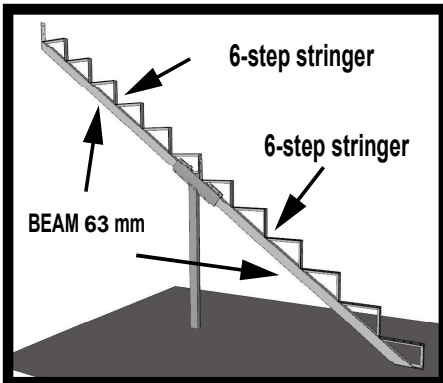
10 STEPS



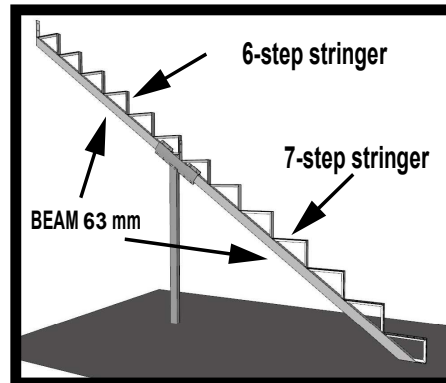
11 STEPS



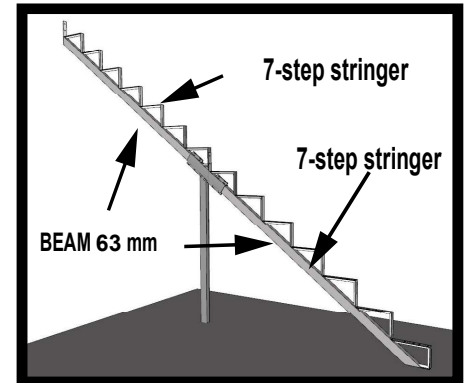
12 STEPS



13 STEPS

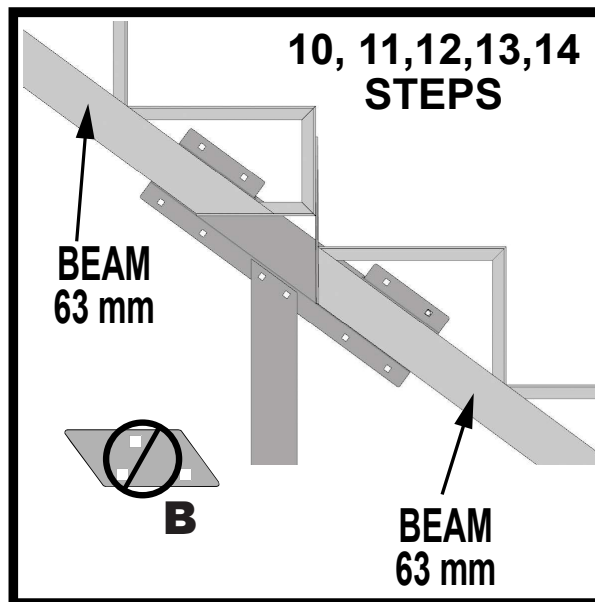
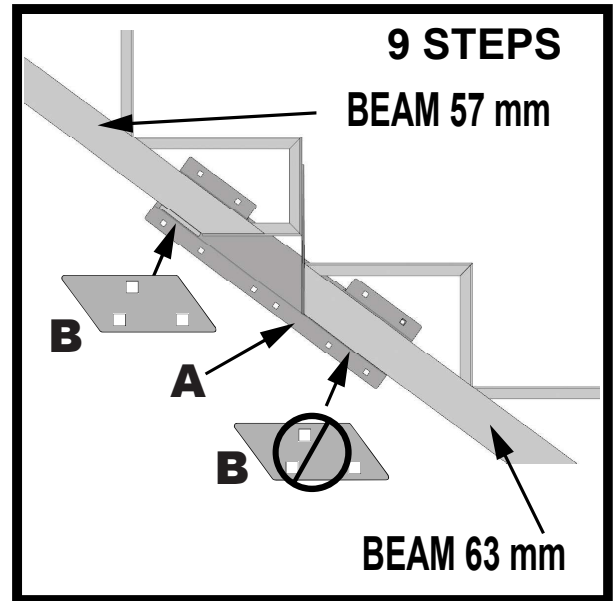
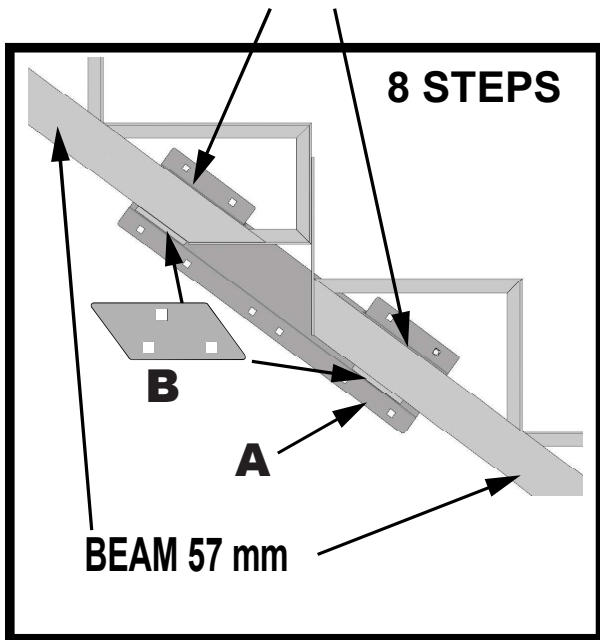


14 STEPS

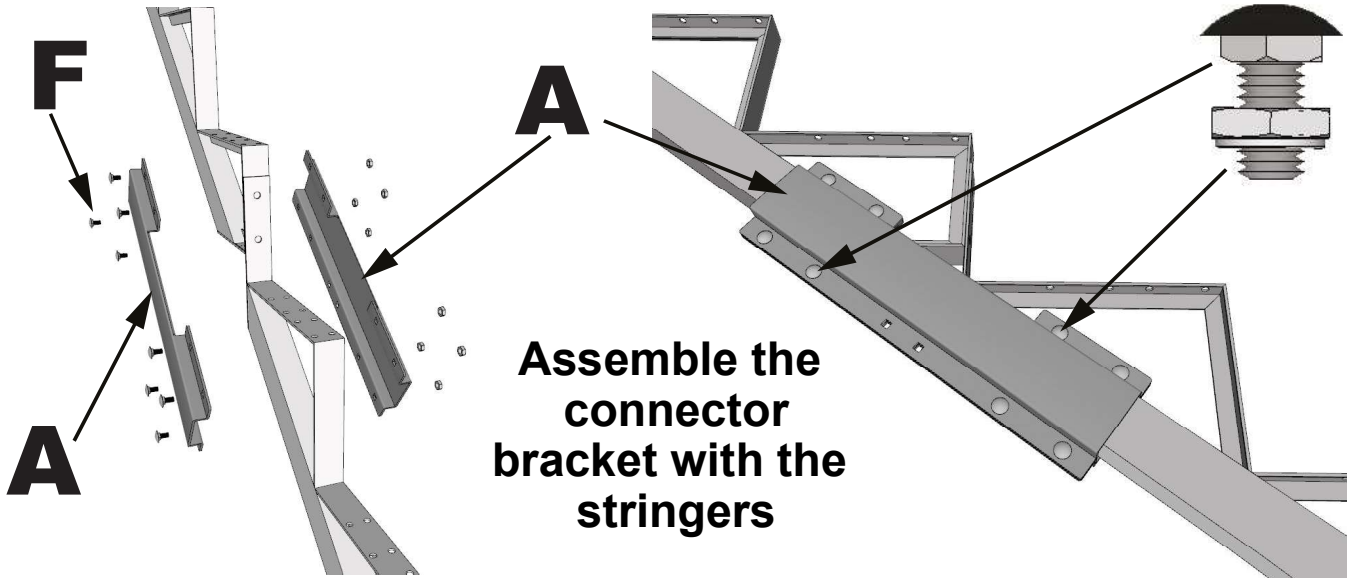
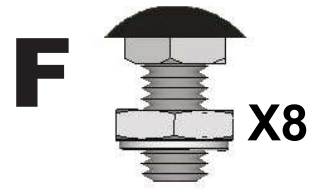
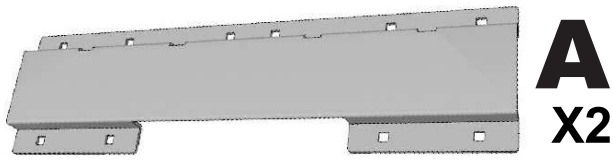


FOR COMMERCIAL USE SEE

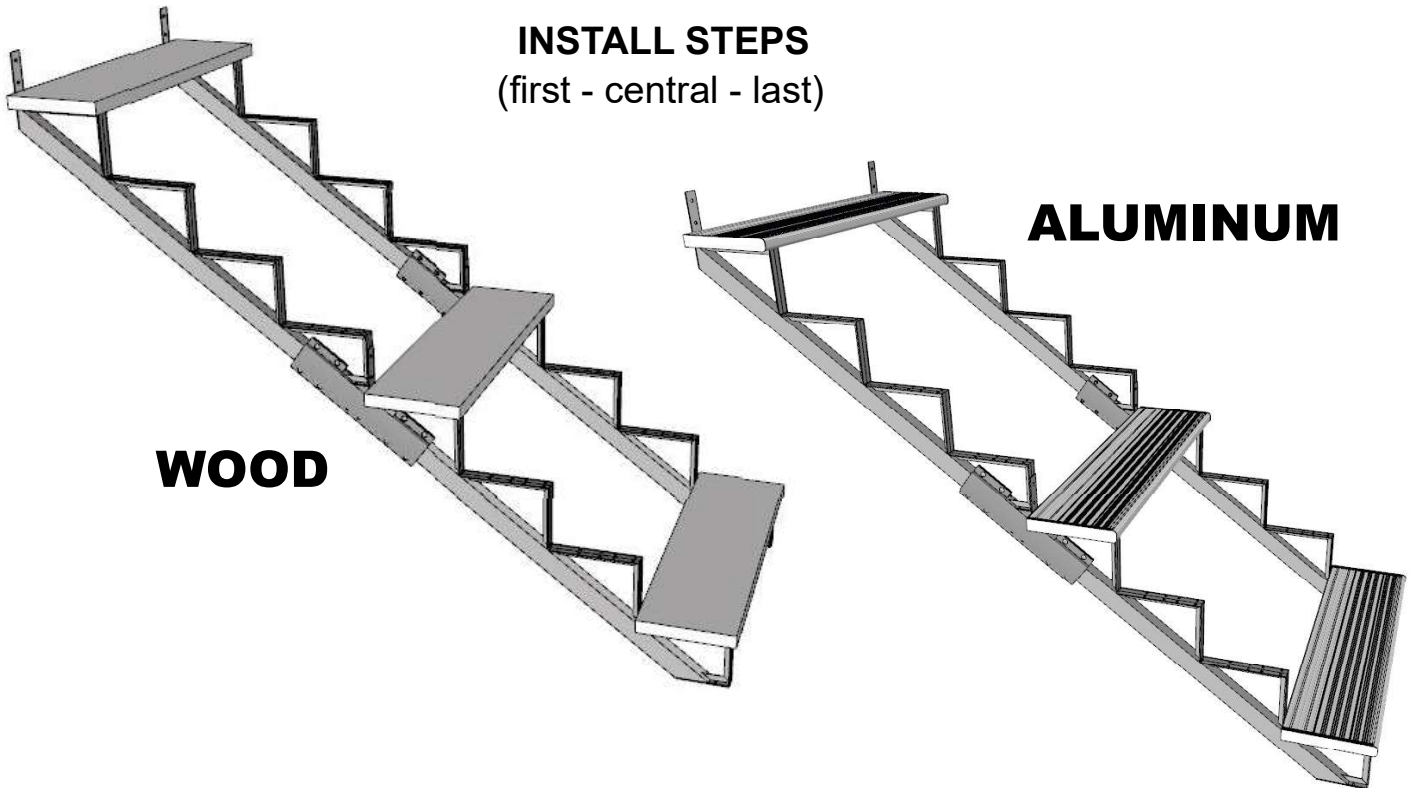
Always support stringers at the top of the connector bracket



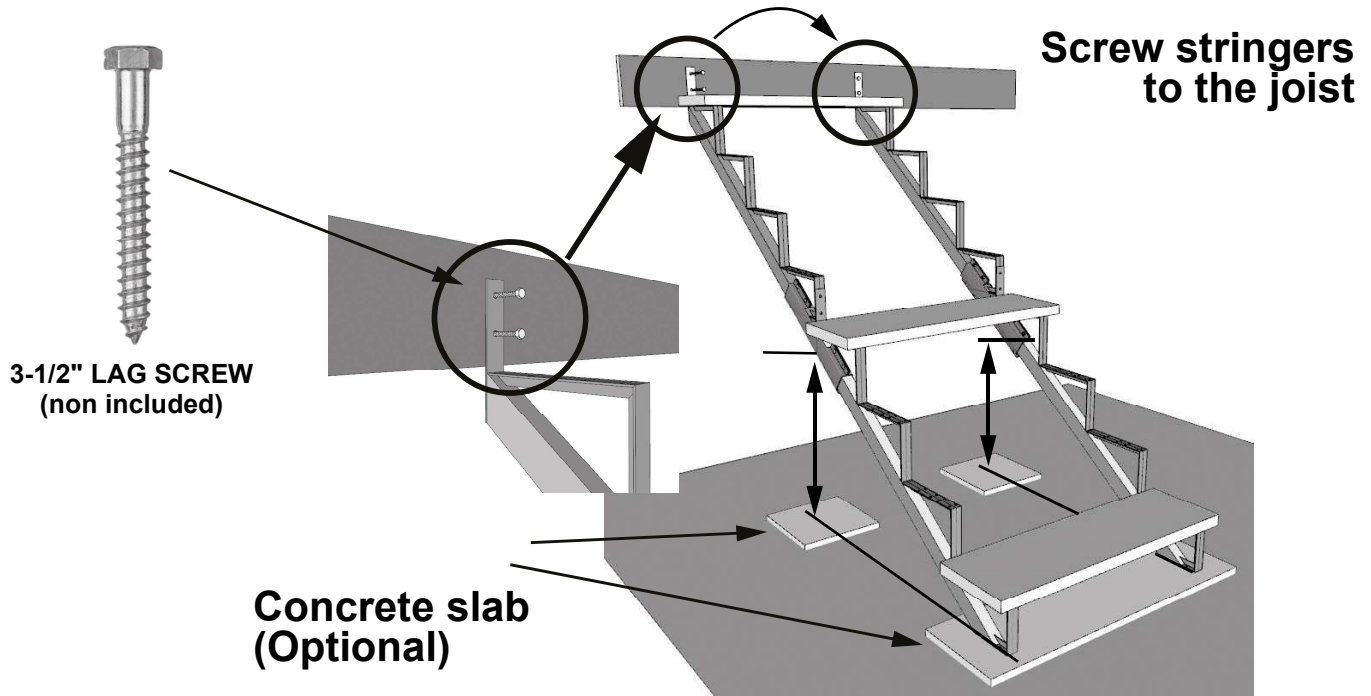
STEP 1 - CONNECTOR BRACKET ASSEMBLY



STEP 2 - STEP INSTALLATION



STEP 3 - ATTACHING STRINGERS TO THE JOIST



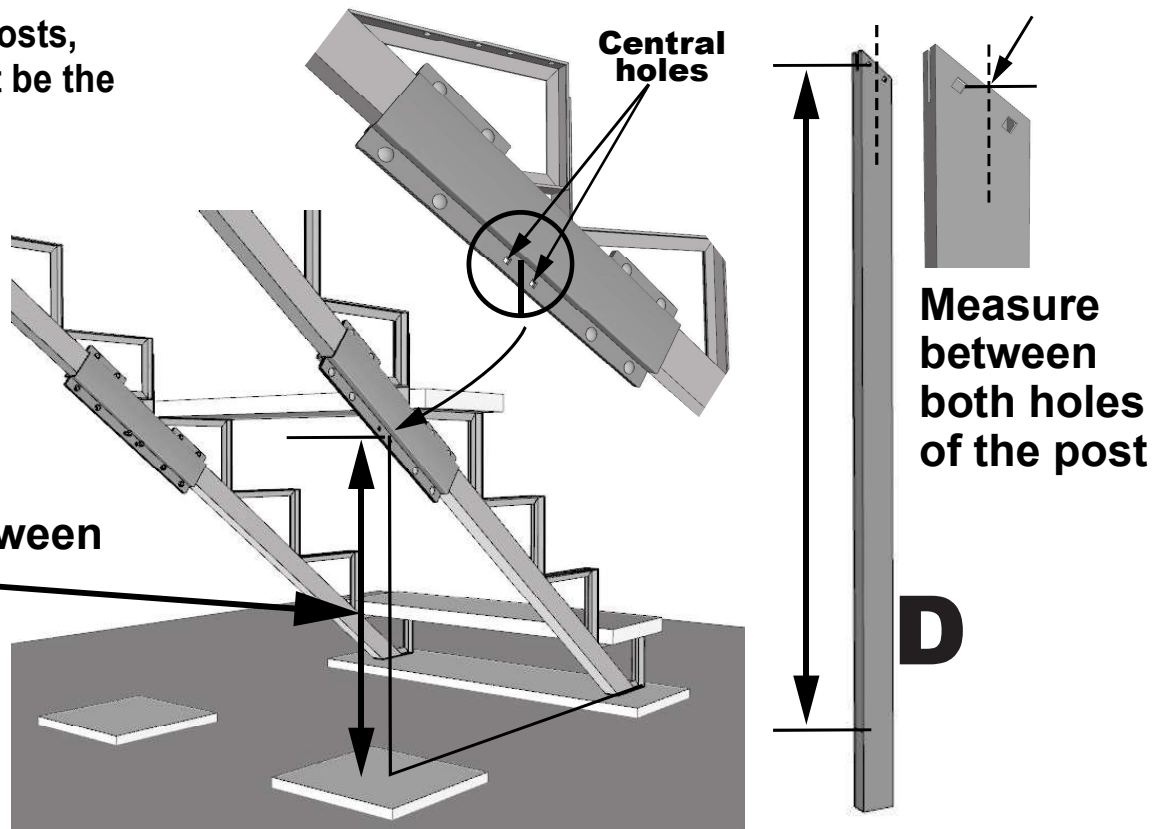
STEP 4 - MEASURING POST HEIGHT



Measure both posts,
as they may not be the
same height.

POSTS

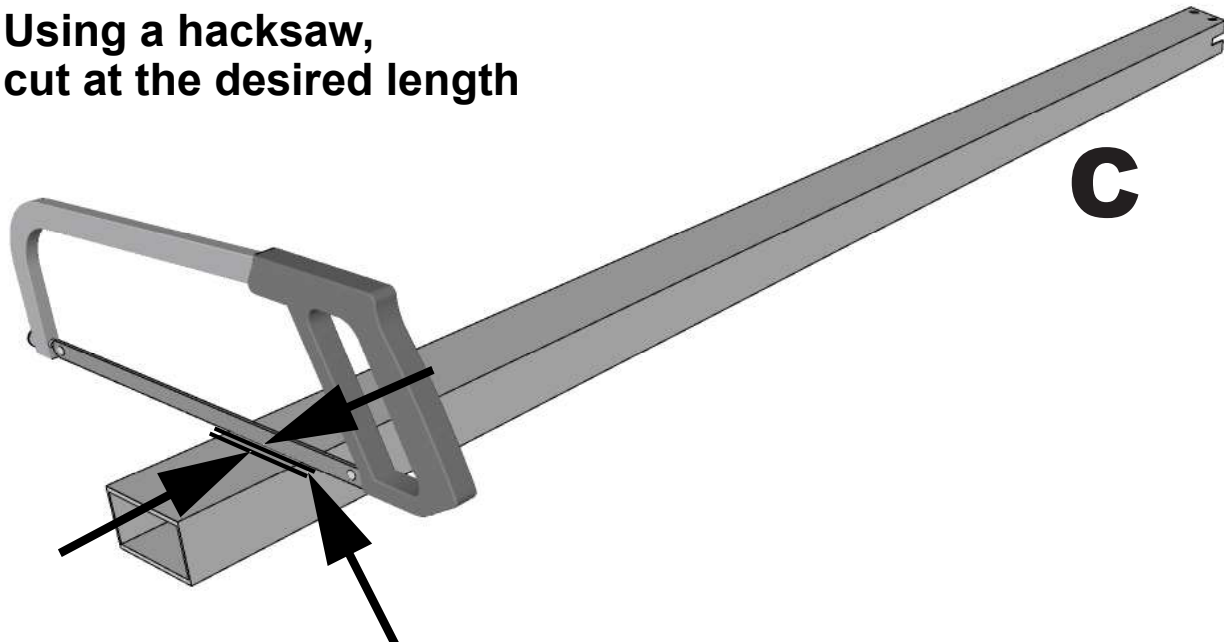
Measure between
both central
holes of the
connector
bracket



STEP 5 - CUT POST (IF REQUIRED)

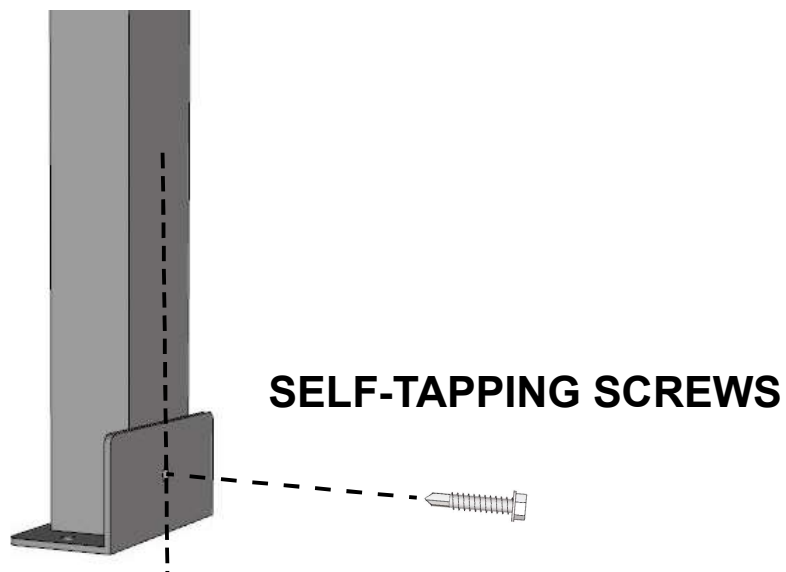
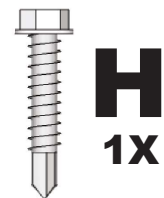
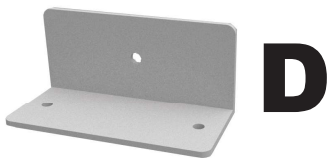


Using a hacksaw,
cut at the desired length

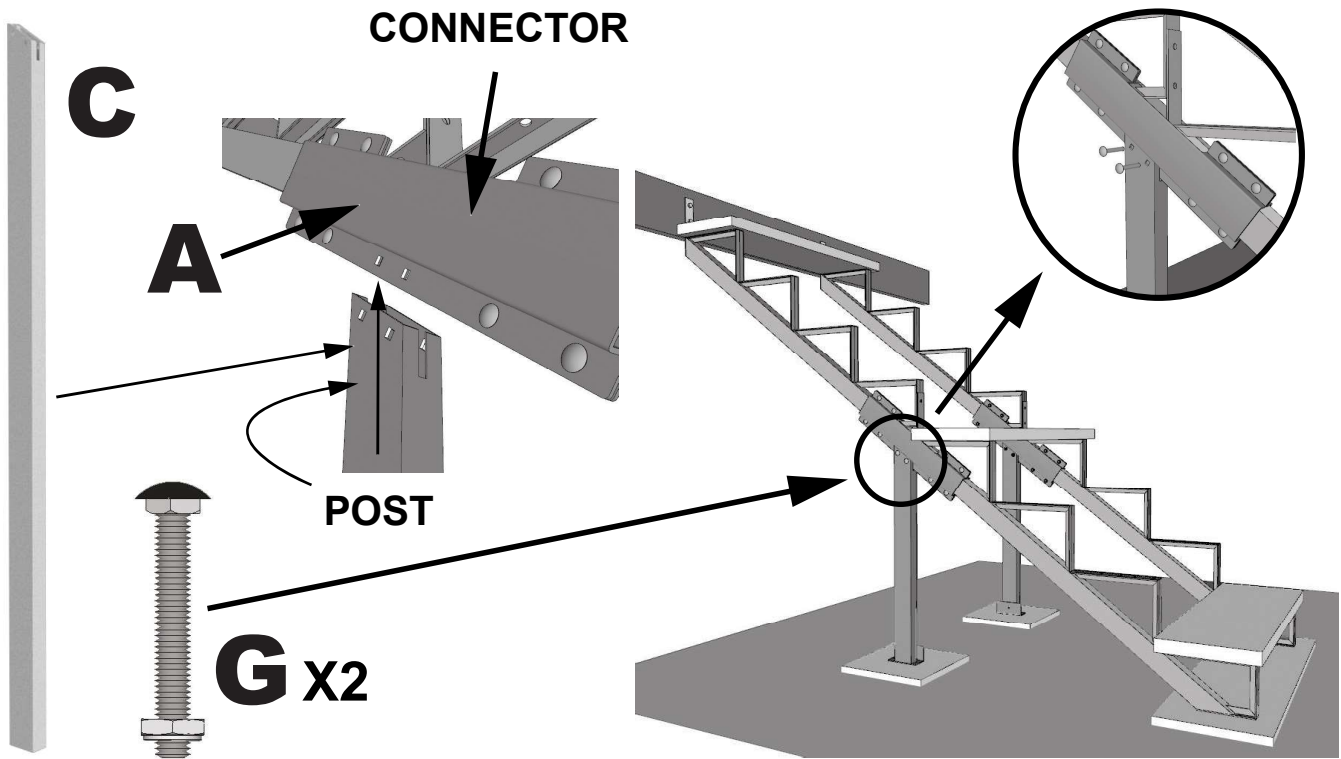


Remove 1/4" for part "C"

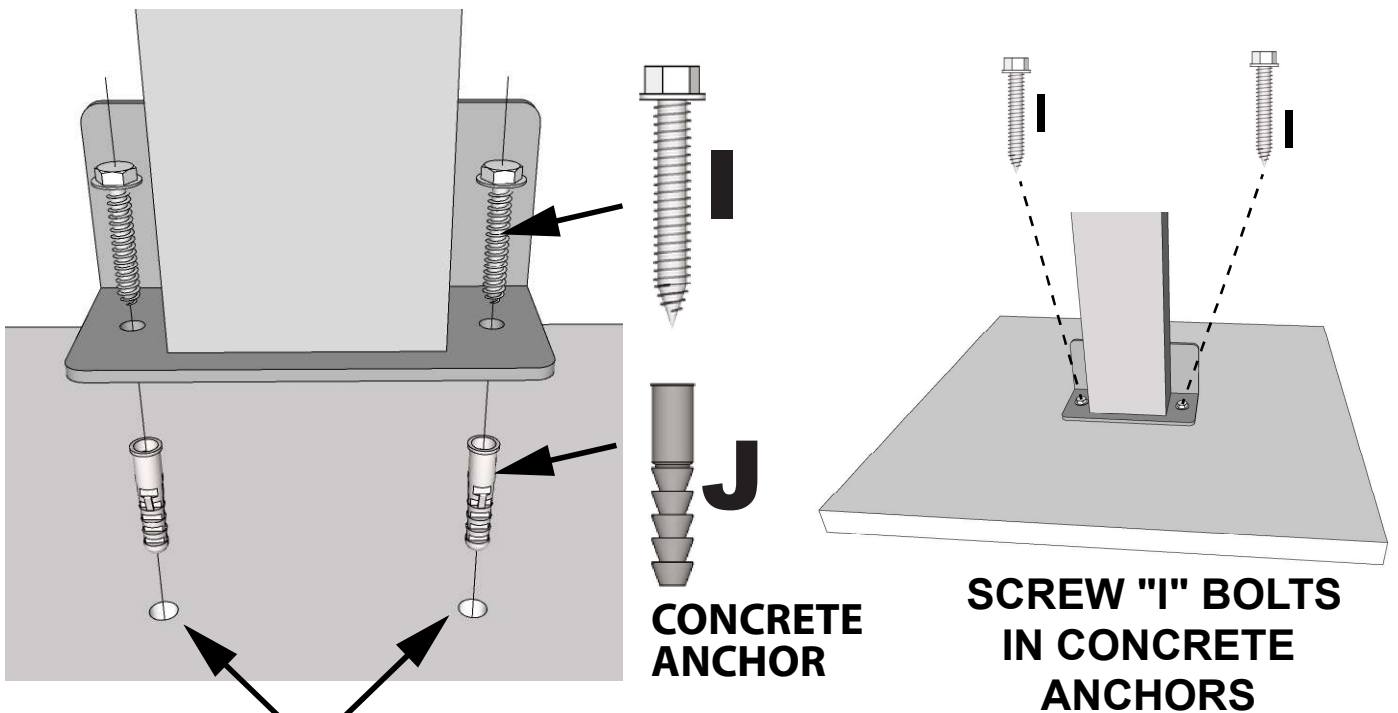
STEP 6 - INSTALL PART "C"



STEP 7 - INSTALLATION OF SUPPORT POST "D"



STEP 8 - ATTACH PART "C" TO CONCRETE BASE

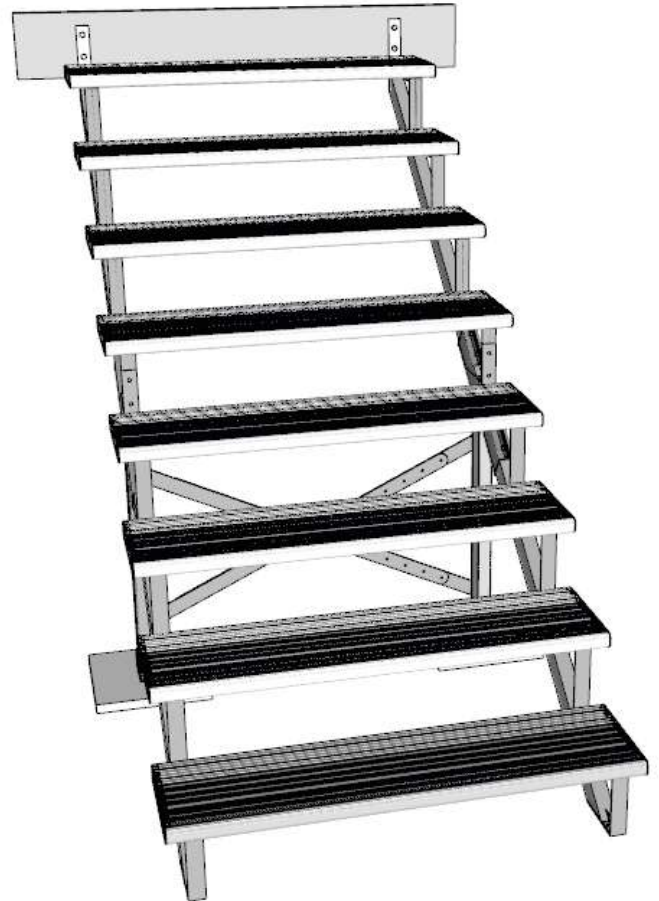
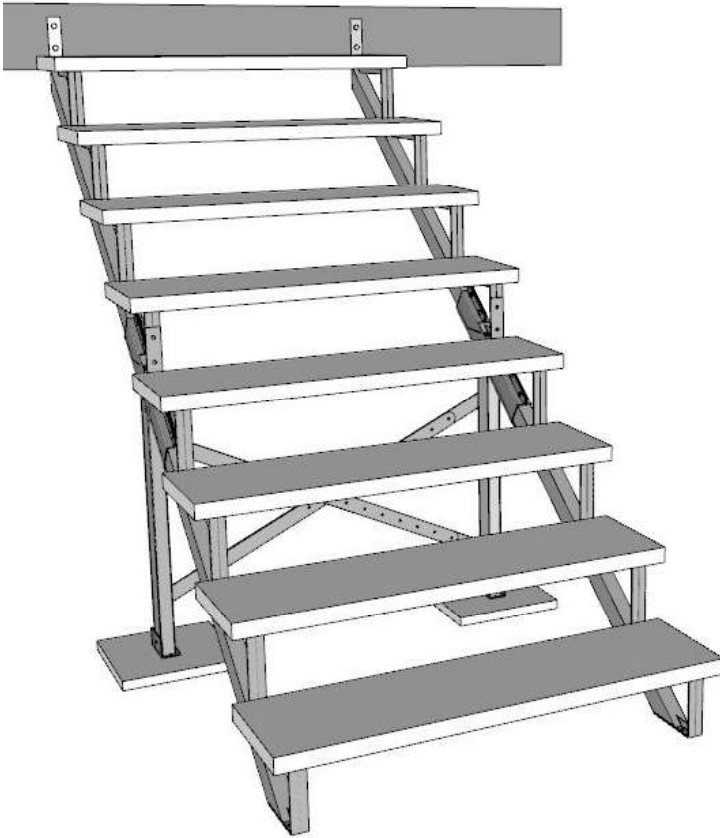


PRE-DRILL THE CONCRETE WITH A 1/4" CONCRETE DRILL BIT

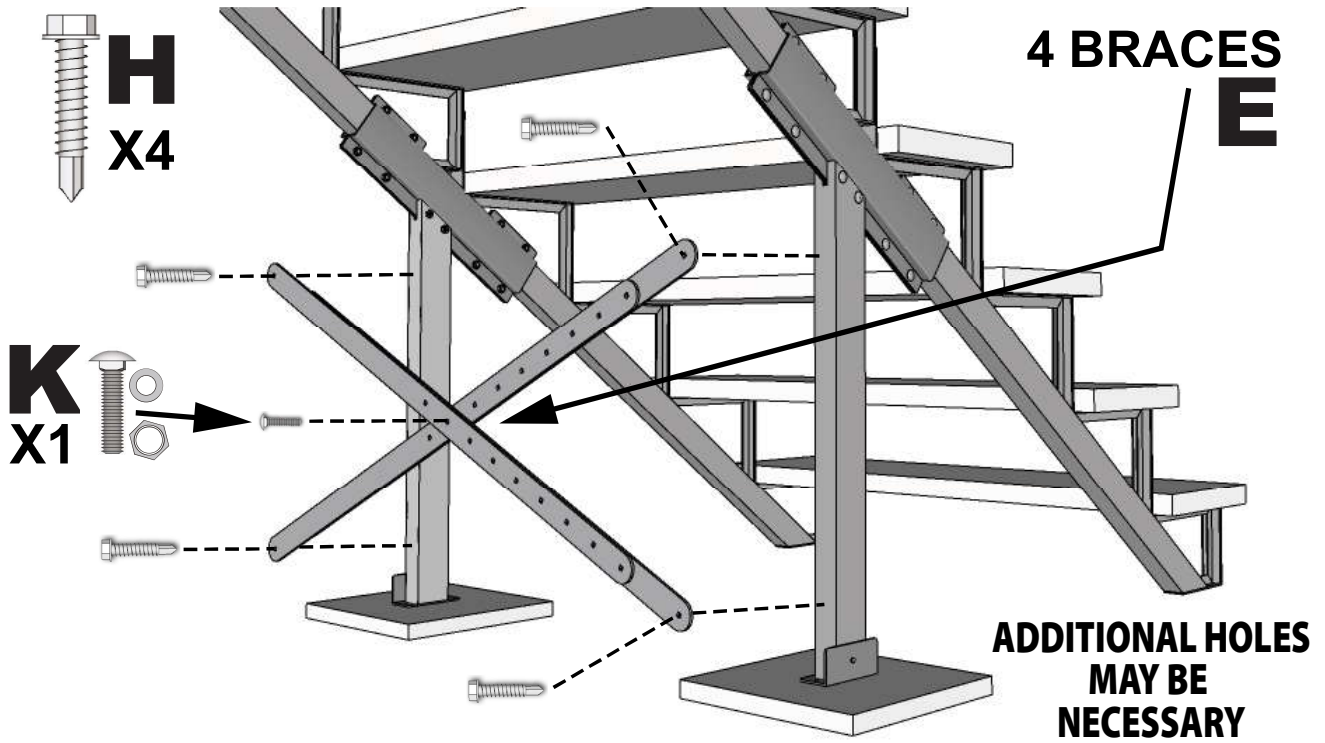
STEP 9 - INSTALL ALL STEPS



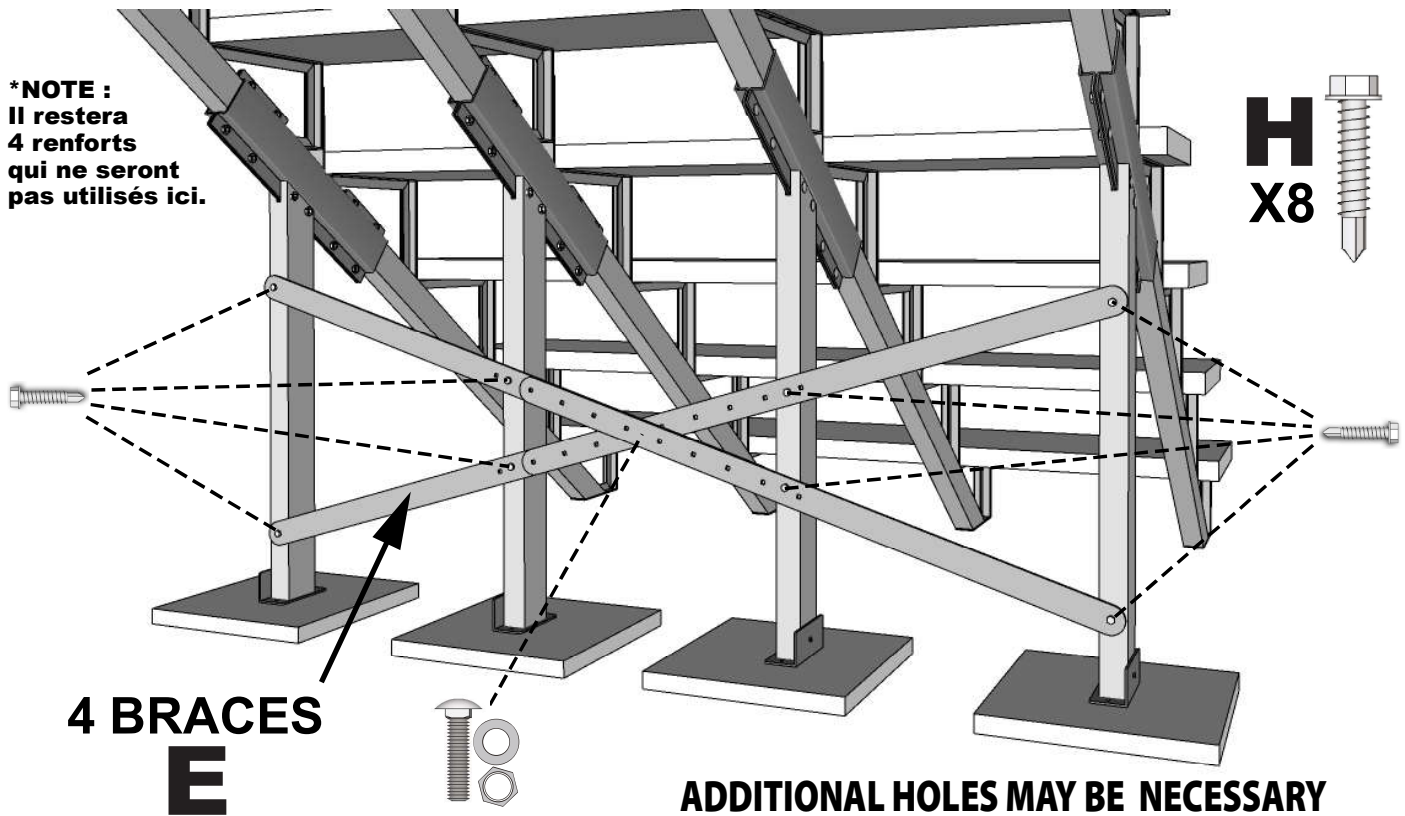
Install all steps (of your choice)



STEP 10 - INSTALLATION OF SUPPORTS



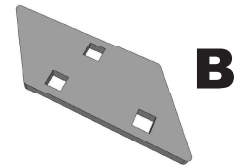
STEP 10 - BRACE INSTALLATION (CONT'D)



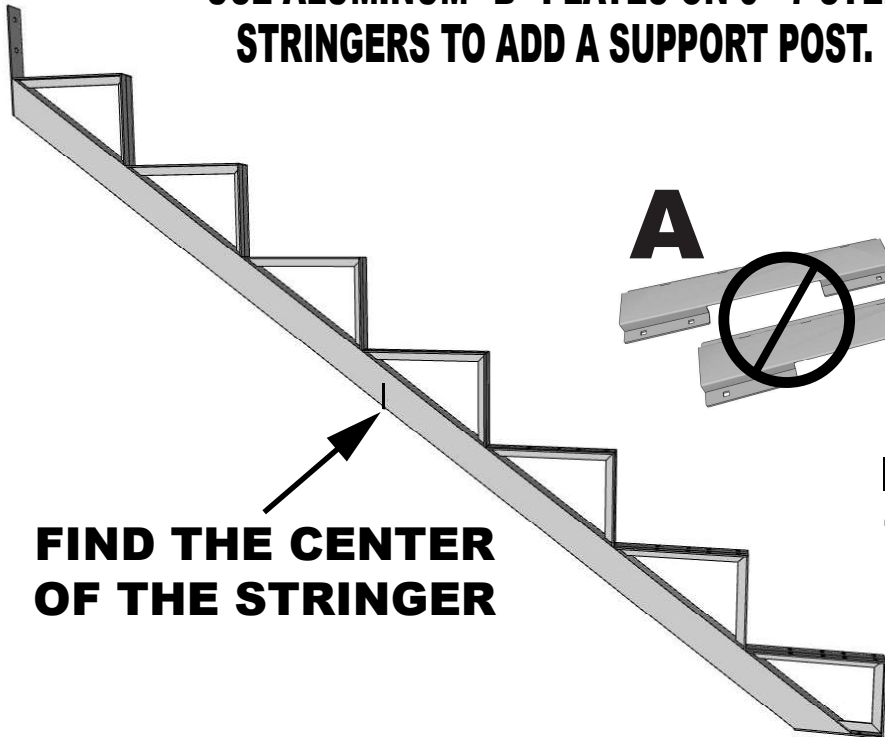
STEP 1 - FOR COMMERCIAL USE



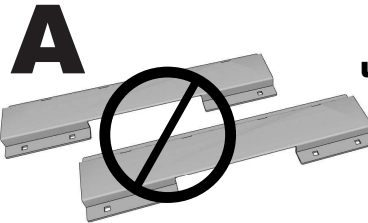
USE ALUMINUM "B" PLATES ON 3 - 7 STEP STRINGERS TO ADD A SUPPORT POST.



B



FIND THE CENTER OF THE STRINGER



A

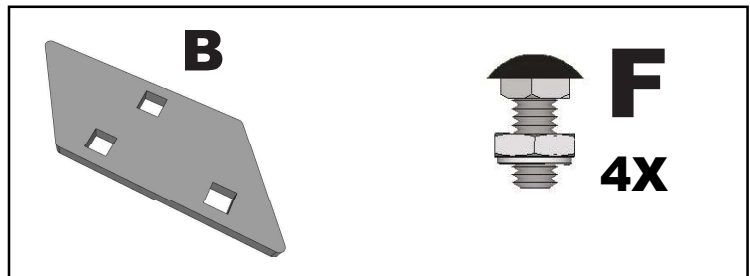
These parts are not used for this assembly.

EX.: SINGLE PIECE 7-STEP STRINGER

STEP 2 - INSTALLATION OF "B" PLATE ON THE POST



Plate assembly



B



F
4X



4X

POST

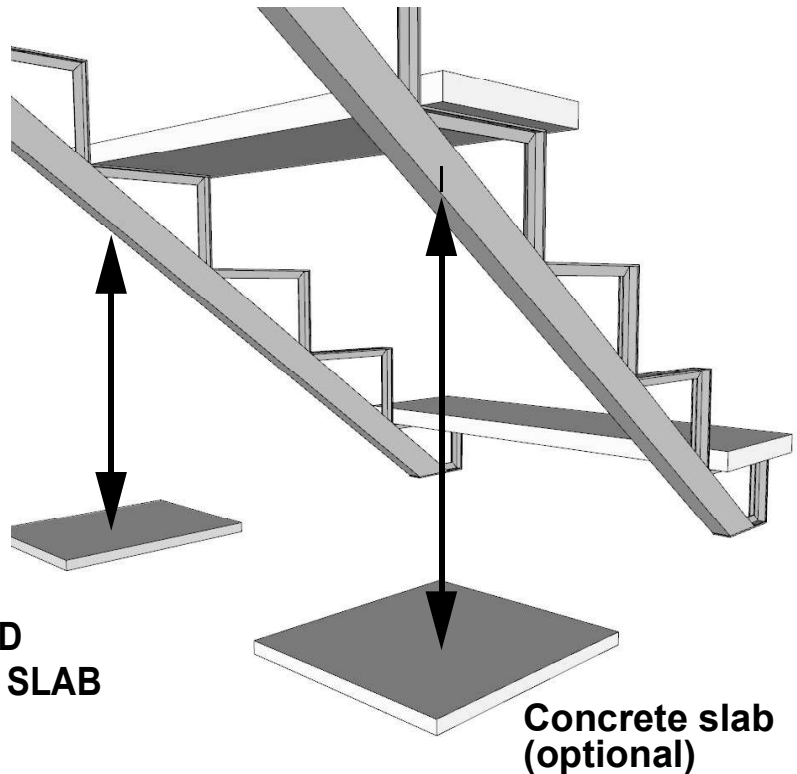
D

STEP 3 - MEASURING POST HEIGHT



**MEASURE HEIGHT
BETWEEN STRINGER
AND GROUND OR
CONCRETE SLAB**

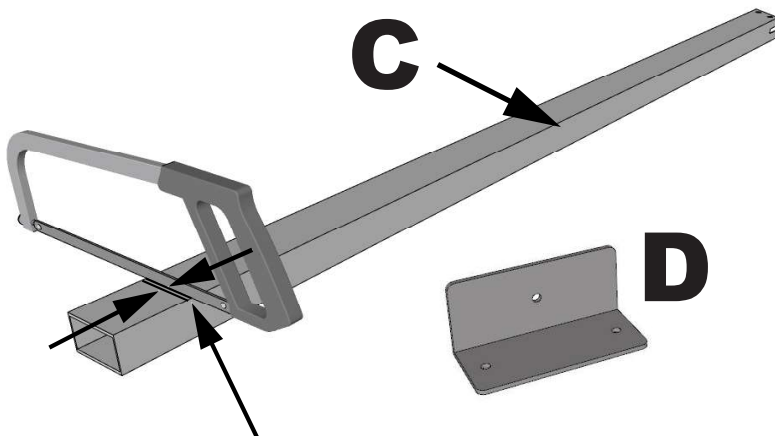
**MEASURE HEIGHT
BETWEEN STRINGER AND
GROUND OR CONCRETE SLAB**



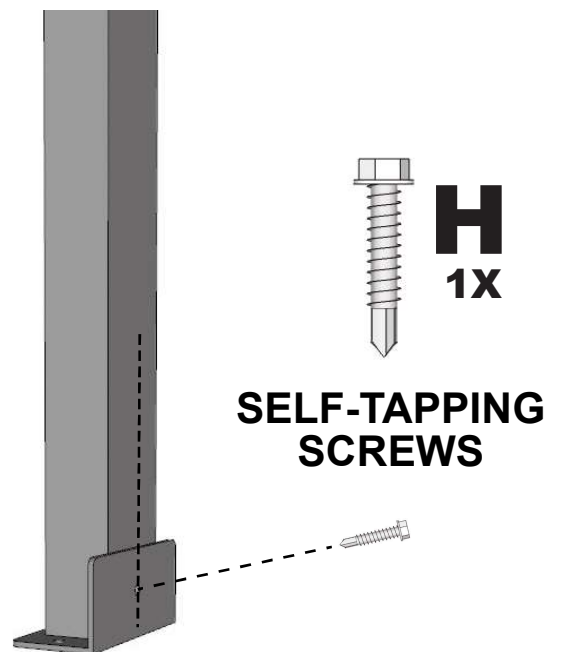
STEP 4 - CUT POST (IF REQUIRED)



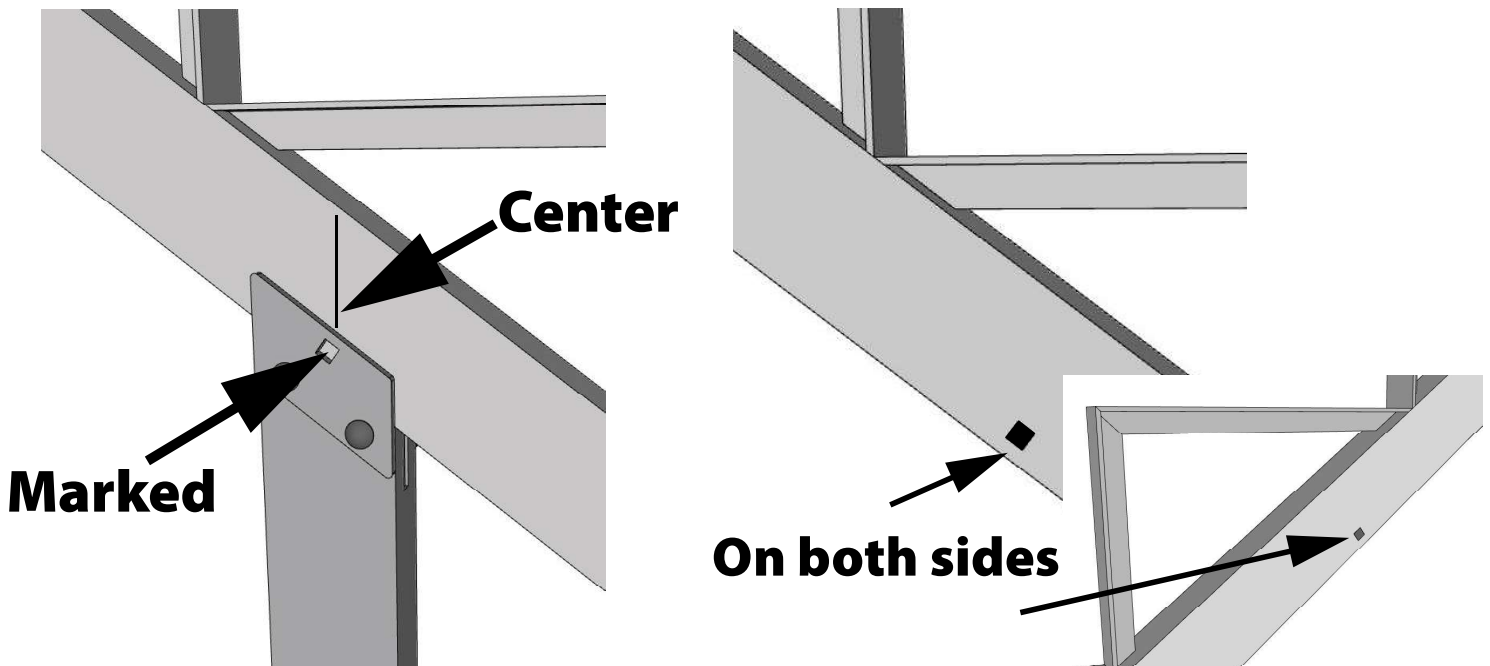
**Using a hacksaw,
cut at the desired length**



Remove 1/4" for part "C"

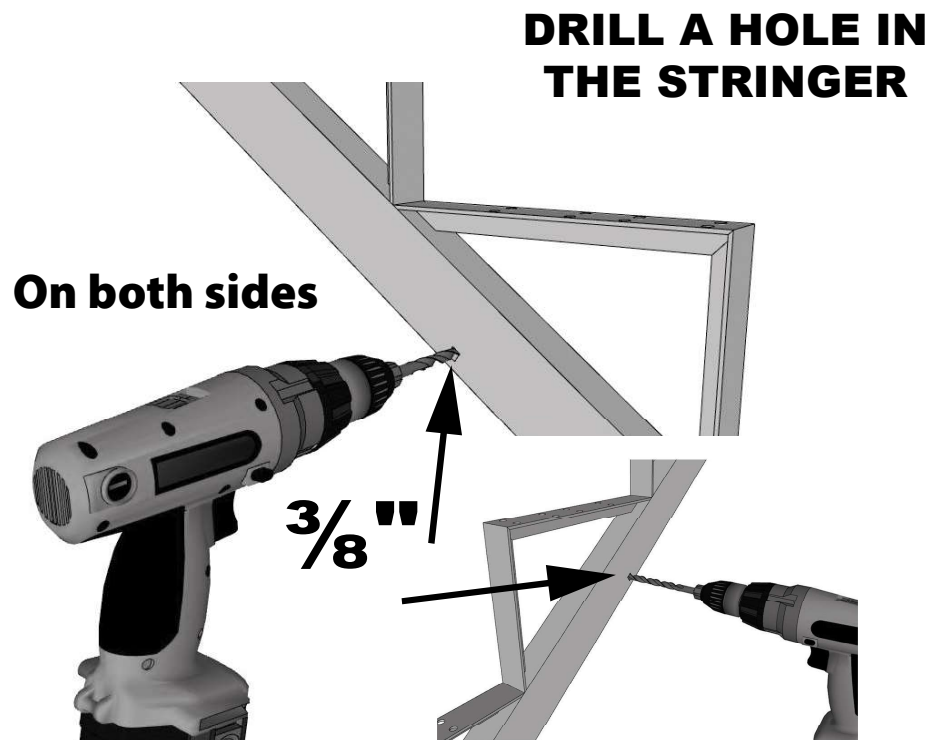


STEP 5 - ISUPPORT POST INSTALLATION

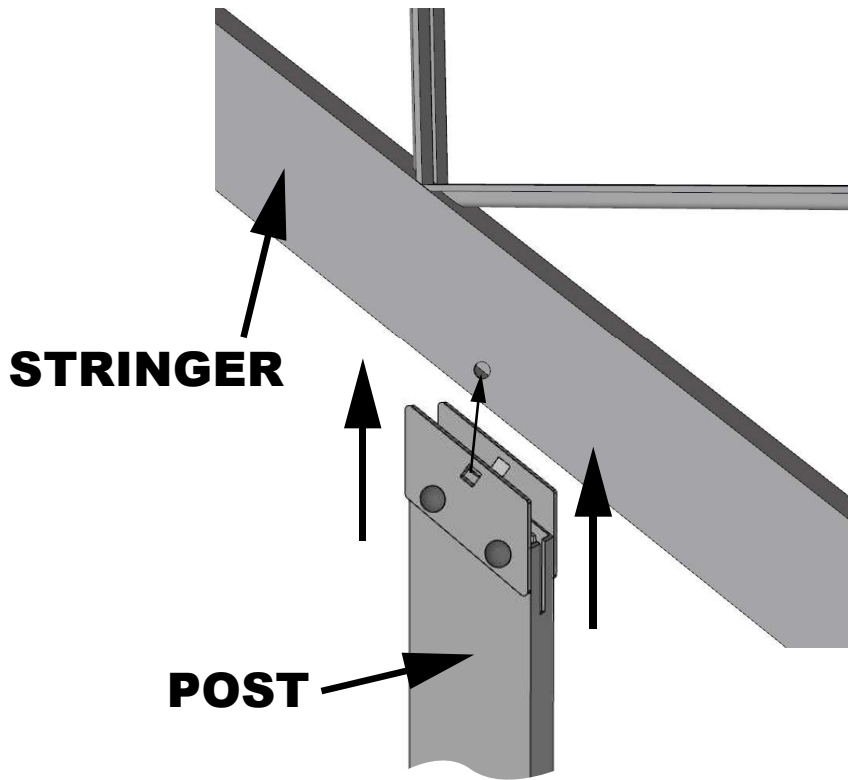


WITH A FELT MARKER, TRACE A SQUARE ON THE STRINGER

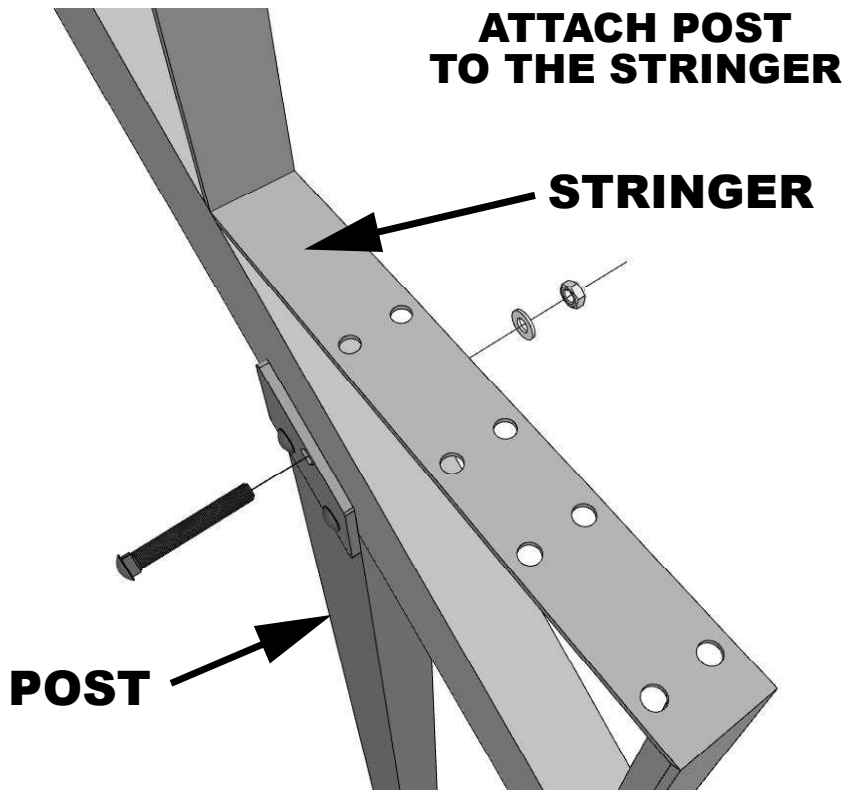
STEP 6 - USE A 3/8" DRILL BIT



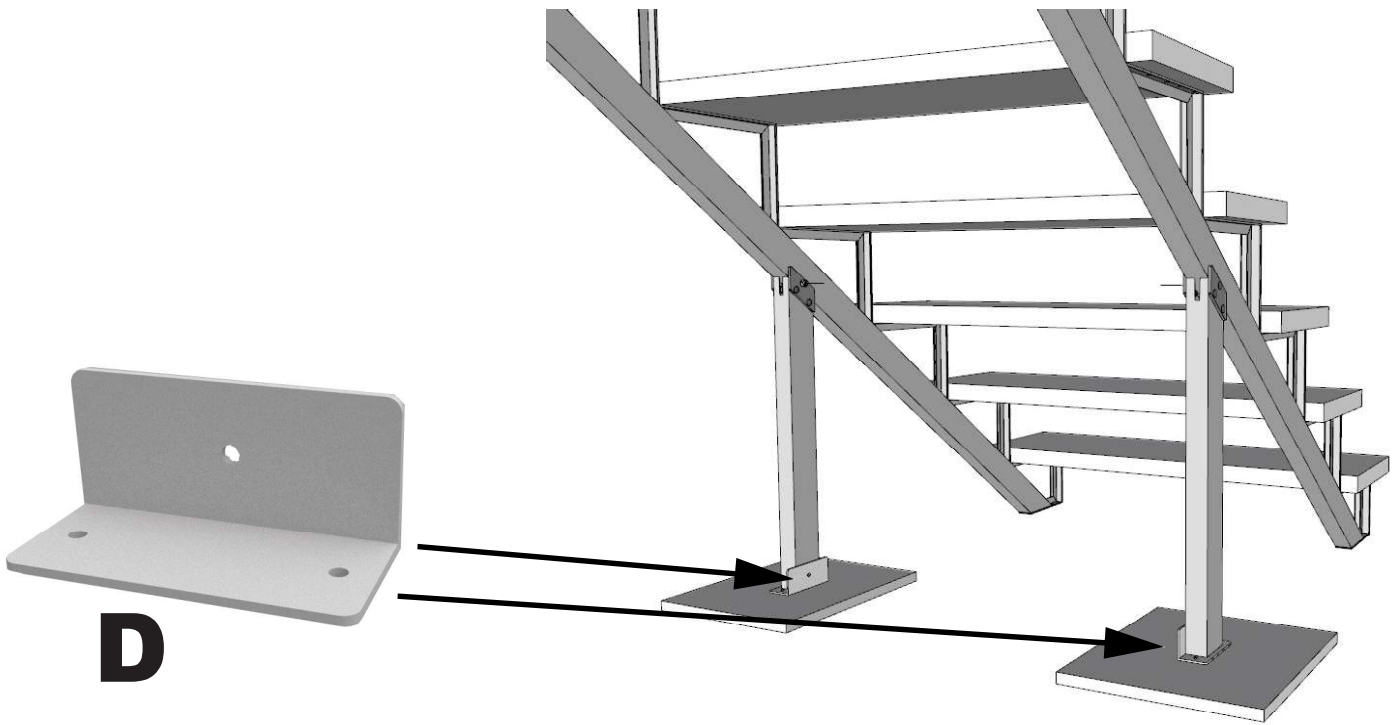
STEP 7 - POST INSTALLATION ON THE STRINGER



POST INSTALLATION ON THE STRINGER

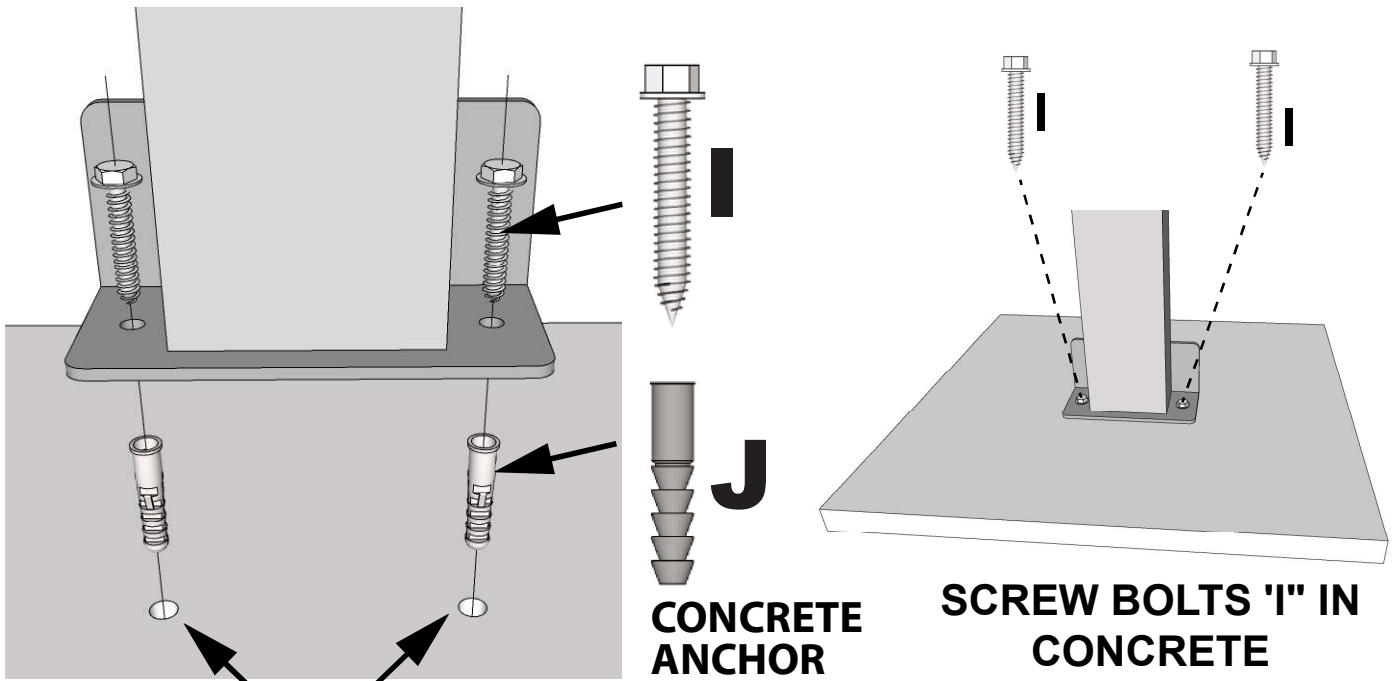


STEP 8 - ATTACH PART "C" TO THE CONCRETE BASE



D

PART "C" TO THE CONCRETE BASE

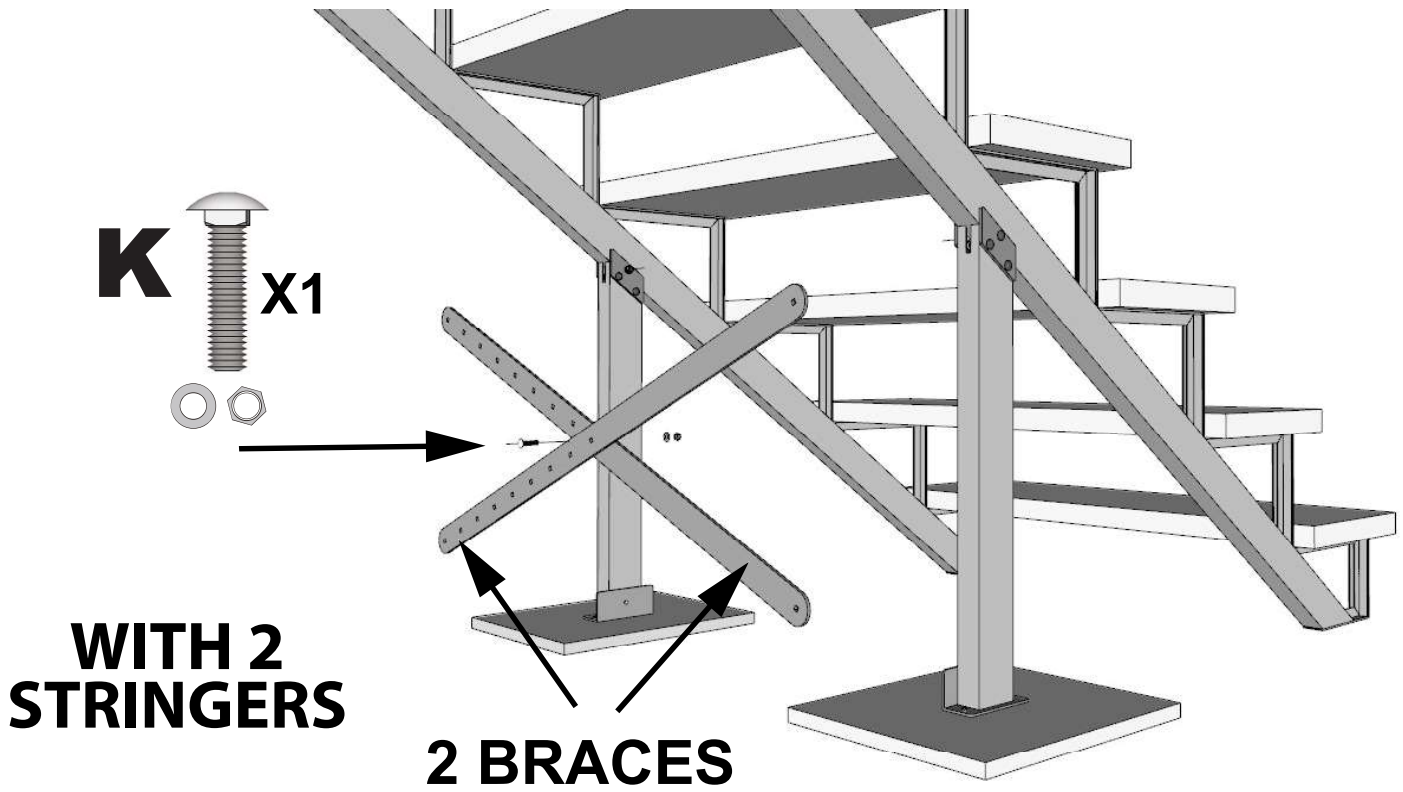


CONCRETE ANCHOR

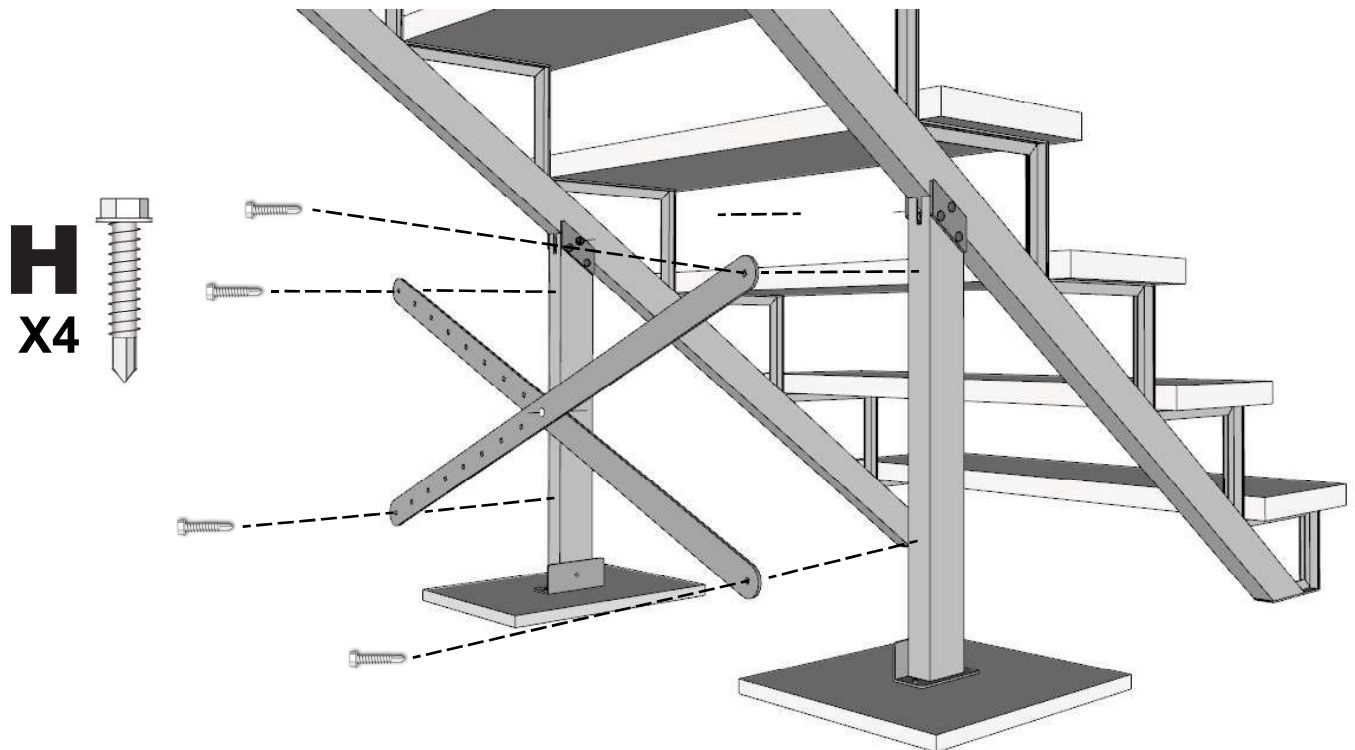
SCREW BOLTS "I" IN CONCRETE ANCHORS

PRE-DRILL CONCRETE WITH A 1/4" CONCRETE DRILL BIT

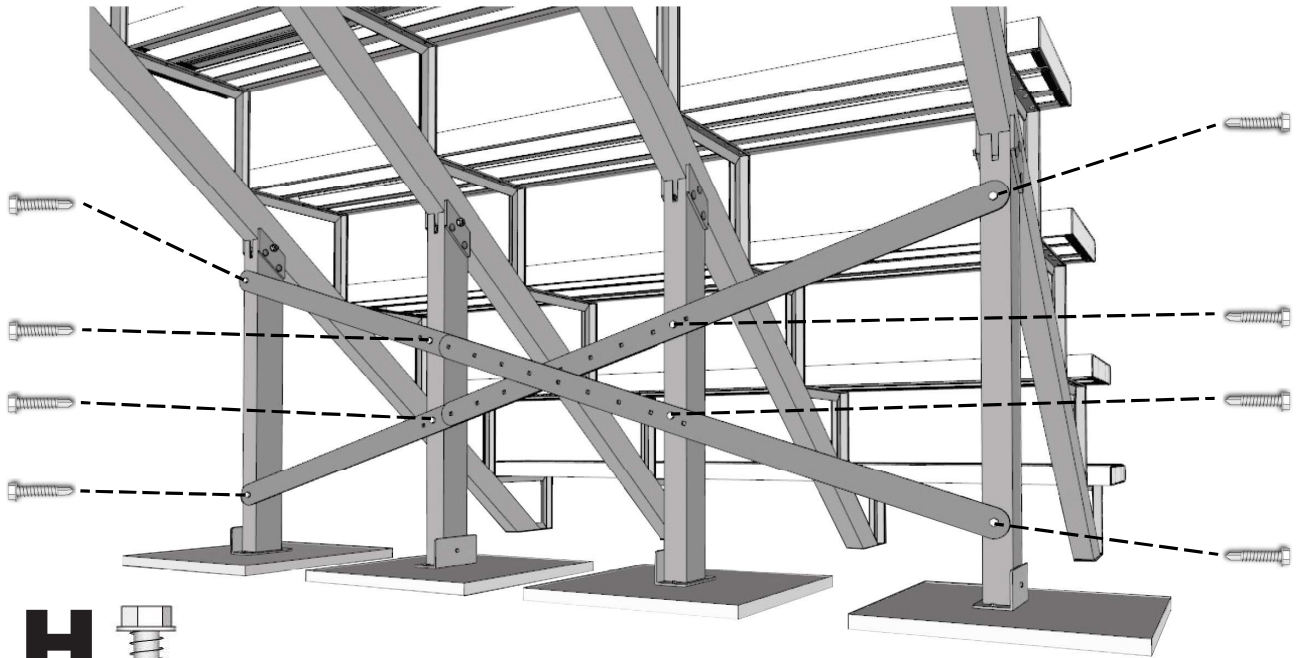
STEP 9 - BRACE INSTALLATION



BRACE INSTALLATION



STEP 10 - BRACE INSTALLATION



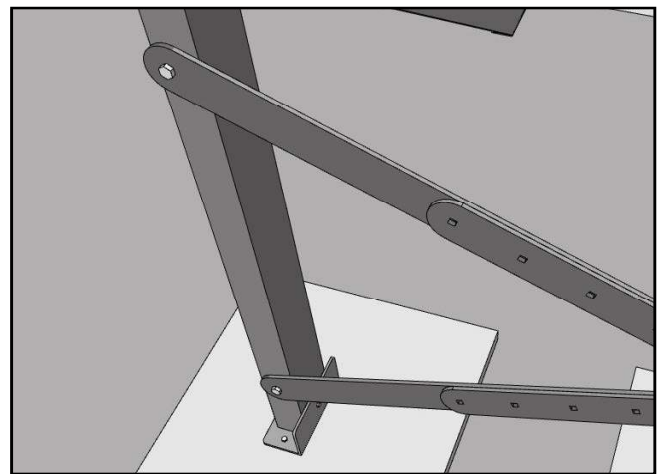
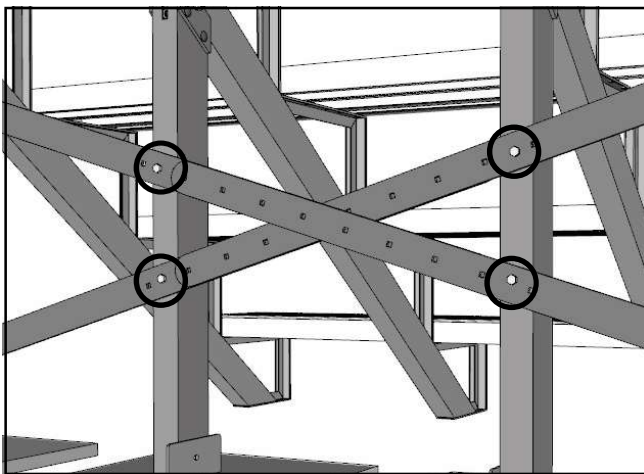
H
X8



SELF-TAPPING SCREWS

4 BRACES
4 STRINGERS

POSITIONS DES RENFORTS



ADDITIONAL HOLES MAY BE REQUIRED



RATE US!



Satisfied with your Pylex product?

Please let us know by sharing pictures with us at info@pylex.com
You can also write a review online
about your purchase.

(By sending your image, you agree to give Pylex the right to it in its marketing activities).

Thank you!

YOU LIKED OUR PRODUCT?

Visit our website: www.pylex.com to see all our products
or **scan this QR code** to have access to our catalog!



Pylex Guarantee Certificate



Follow us on:

