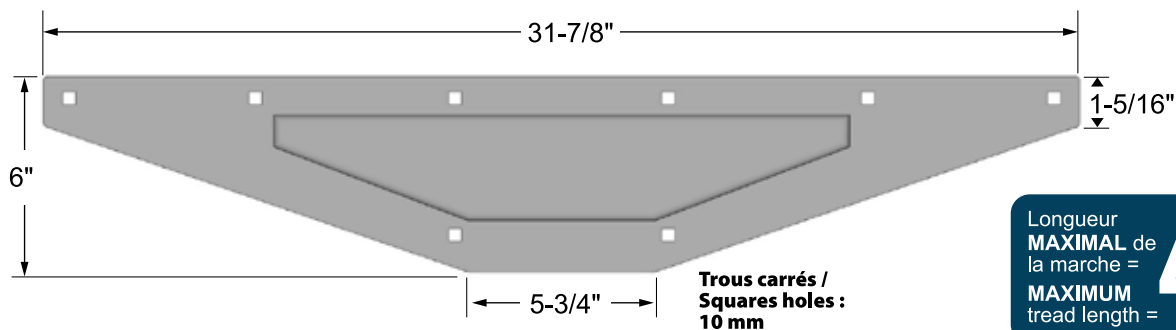
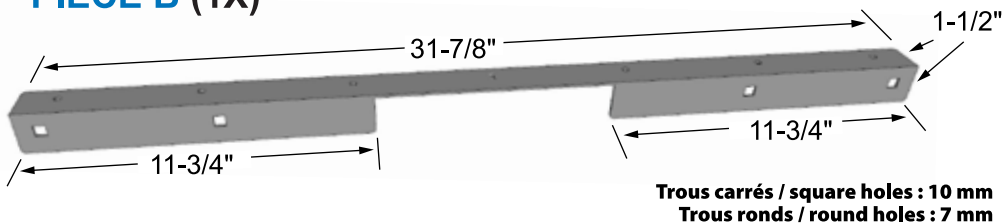


PIECE A (1X)

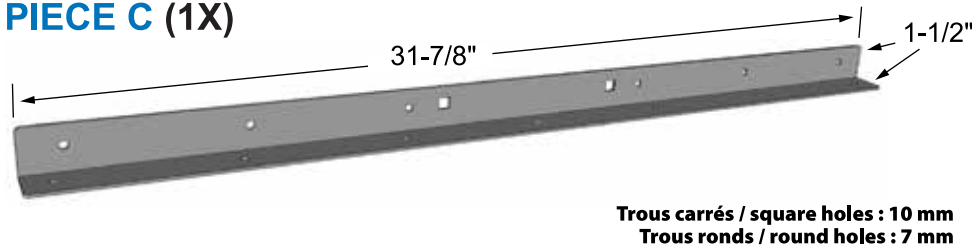


Longueur MAXIMAL de la marche = **4'**
 MAXIMUM tread length =

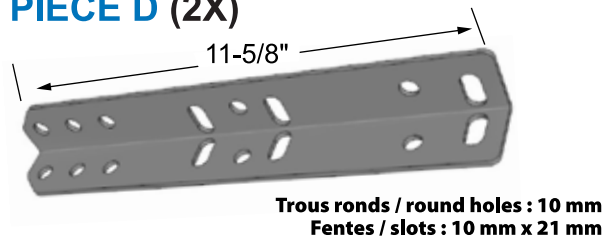
PIECE B (1X)



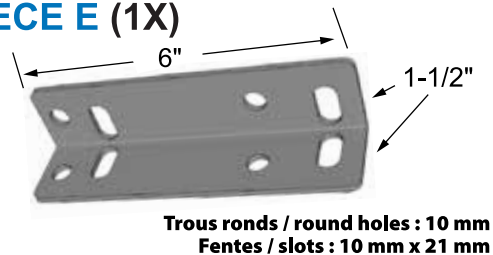
PIECE C (1X)



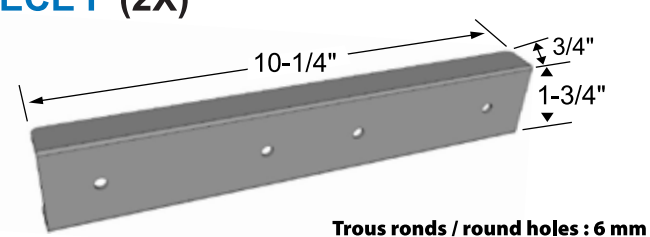
PIECE D (2X)



PIECE E (1X)



PIECE F (2X)



VIS / SCREWS G (26X)



VIS / SCREWS H (4X)



VIS / SCREWS I (10X)

Boulons / Bolts M10 - 1"



VIS / SCREWS J (5X)

Boulons / Bolts M10 - 3-7/8"



VIS / SCREWS K (2X)

Boulons / Bolts M10 - 6-1/4"



RONDELLES / WASHERS

