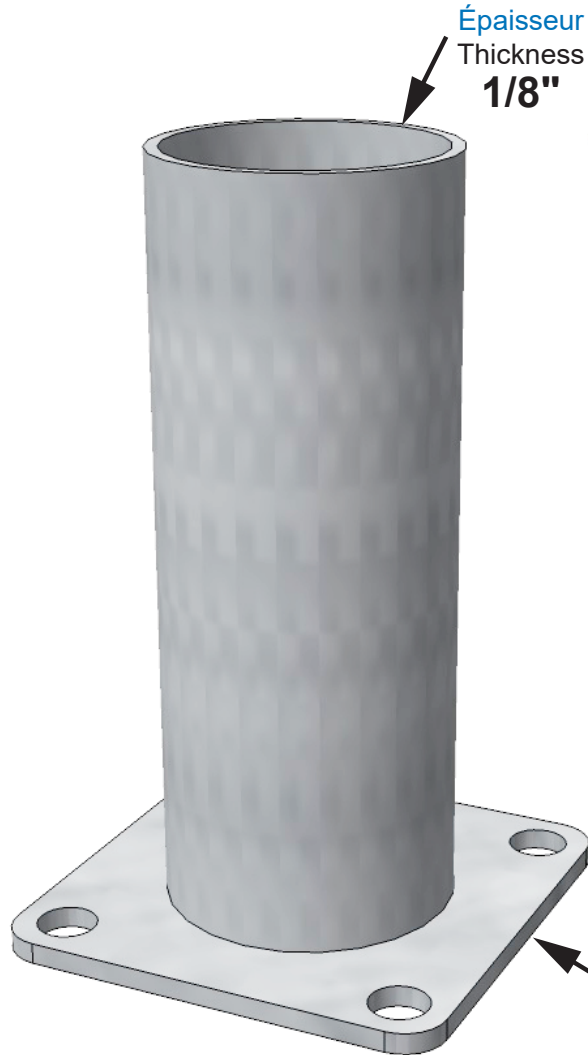




ITEM # 13079 - Dispositif d'ancrage pour poteau **SPYBASE 238** concrete anchoring device

Mesures approximatives
Approx. measures

ANCRAGE POUR LE BÉTON ANCHORING BASE FOR CONCRETE



Épaisseur
Thickness
1/8"

Épaisseur
Thickness
3/16"

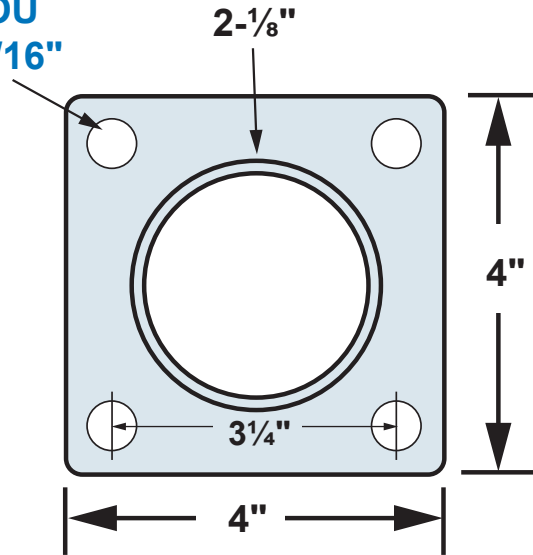


Vis à béton
3/8" de 2"
Concrete
Screw
3/8" of 2"
Non inclus
Not included

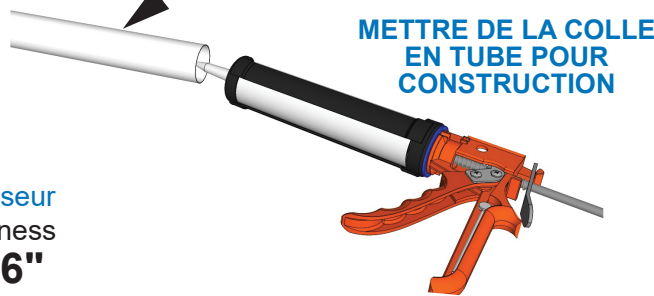


Vis
Tirefonds
3/8" de 2"
Lag Screw
3/8" of 2"
Non inclus
Not included

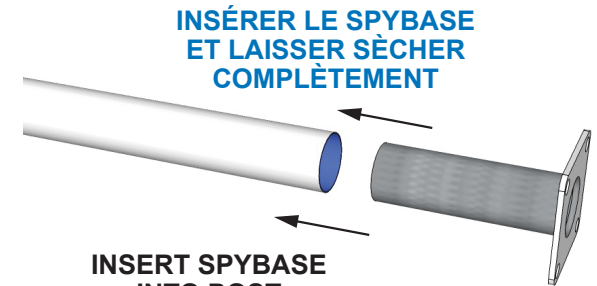
TROU DE 7/16"



POTEAU ROND DE 2-3/8" (Extérieur) ROUND POST 2-3/8" (Outside)



USE OF GLUE FOR
CONSTRUCTION



INSERT SPYBASE
INTO POST
ALLOW TO DRY THOROUGHLY

POUR CLÔTURE EN MAILLES DE CHÂÎNE DE MOINS DE 5 PIEDS
FOR CHAIN-LINK FENCING - LESS THAN 60 INCHES