

Here is the most recent version of the installation video



Here you have the most recent version of the installation guide

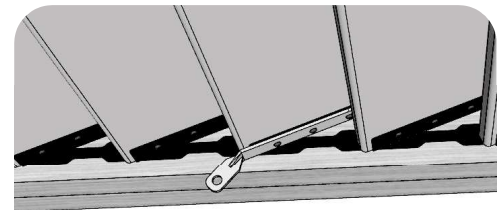
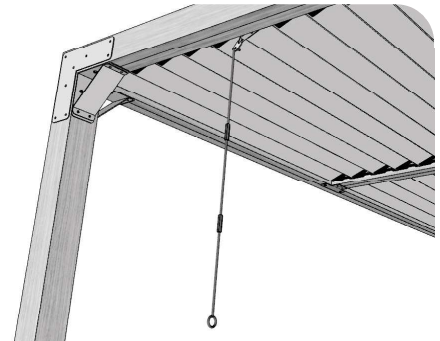
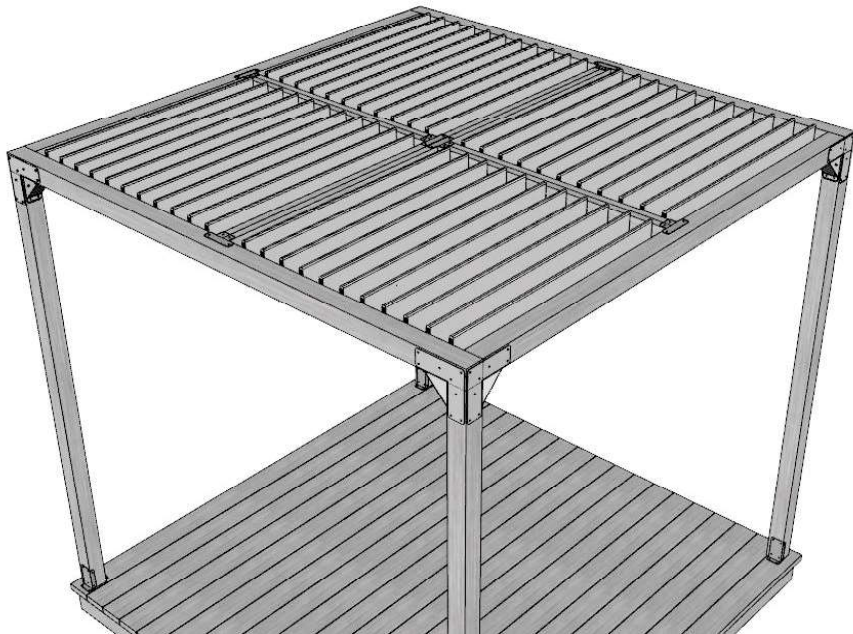


INSTALLATION GUIDE



PERGOLA HARDWARE SHUTTERS

12073



**TO BUILT A COMPLETE PERGOLA
SEE INSTRUCTIONS ON THE BACK OF THE BOX.
(Product # 12071 and Product #12072 are required).**

Question? - Contact us:

First contact our friendly customer service team for assistance.

Email: info@pylex.com or call: 1-800-264-1881

Monday to Friday: 8:30am to 4:30pm UTC

Replacement for damaged or missing parts will be shipped promptly.

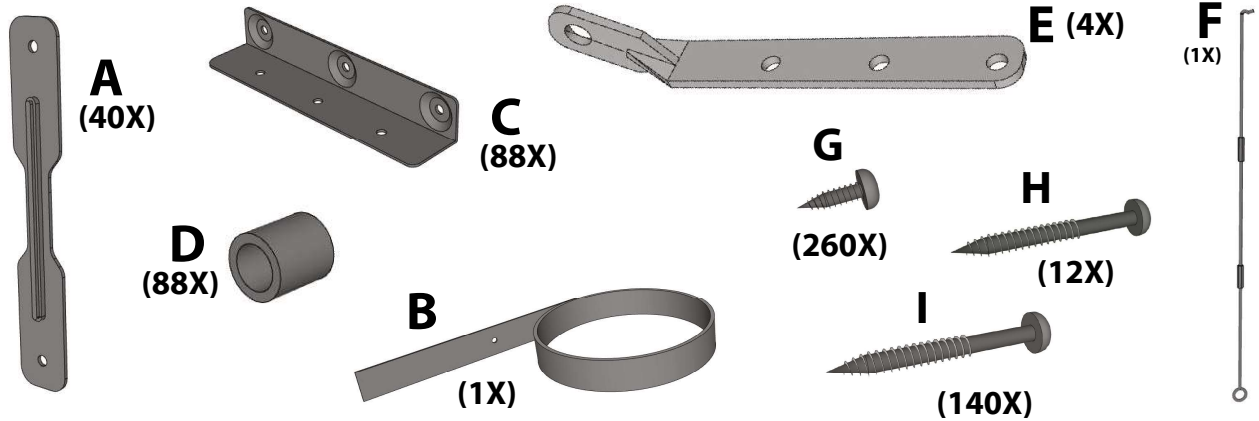
Rev.: 42-0226



DECK AND FENCE HARDWARE

WWW.PYLEX.COM / 1 800-264-1881

PARTS LIST



TOOLS REQUIRED



Ø 1/16"

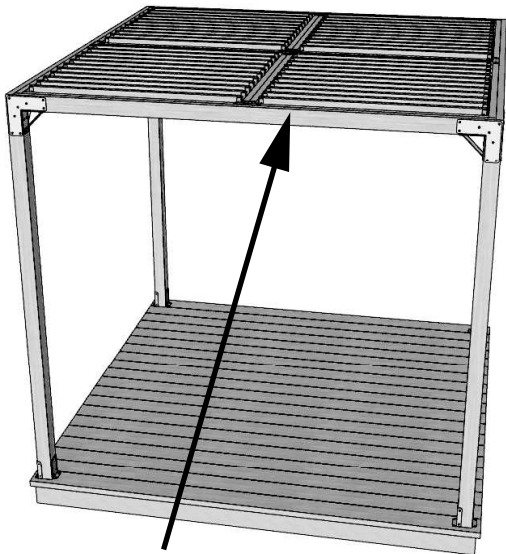


POSSIBLE SIZES WITH THIS KIT

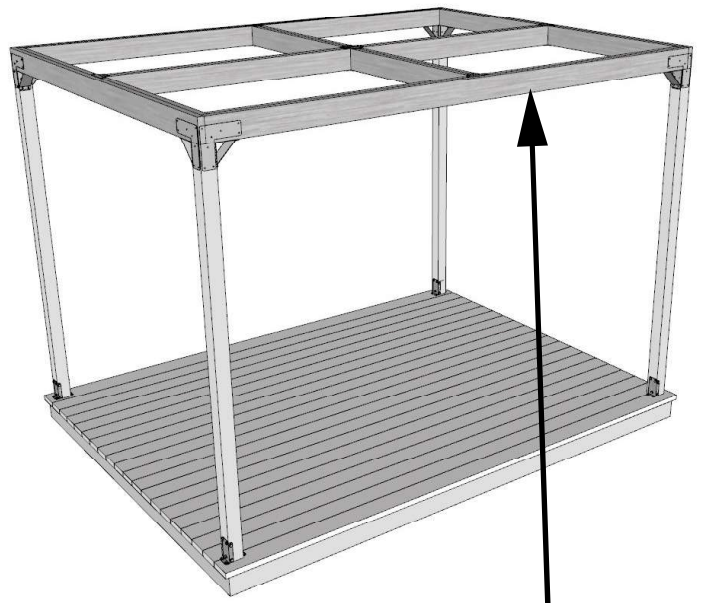
9' X 9'

UP TO

9' X 12'



2" X 4" BEAMS



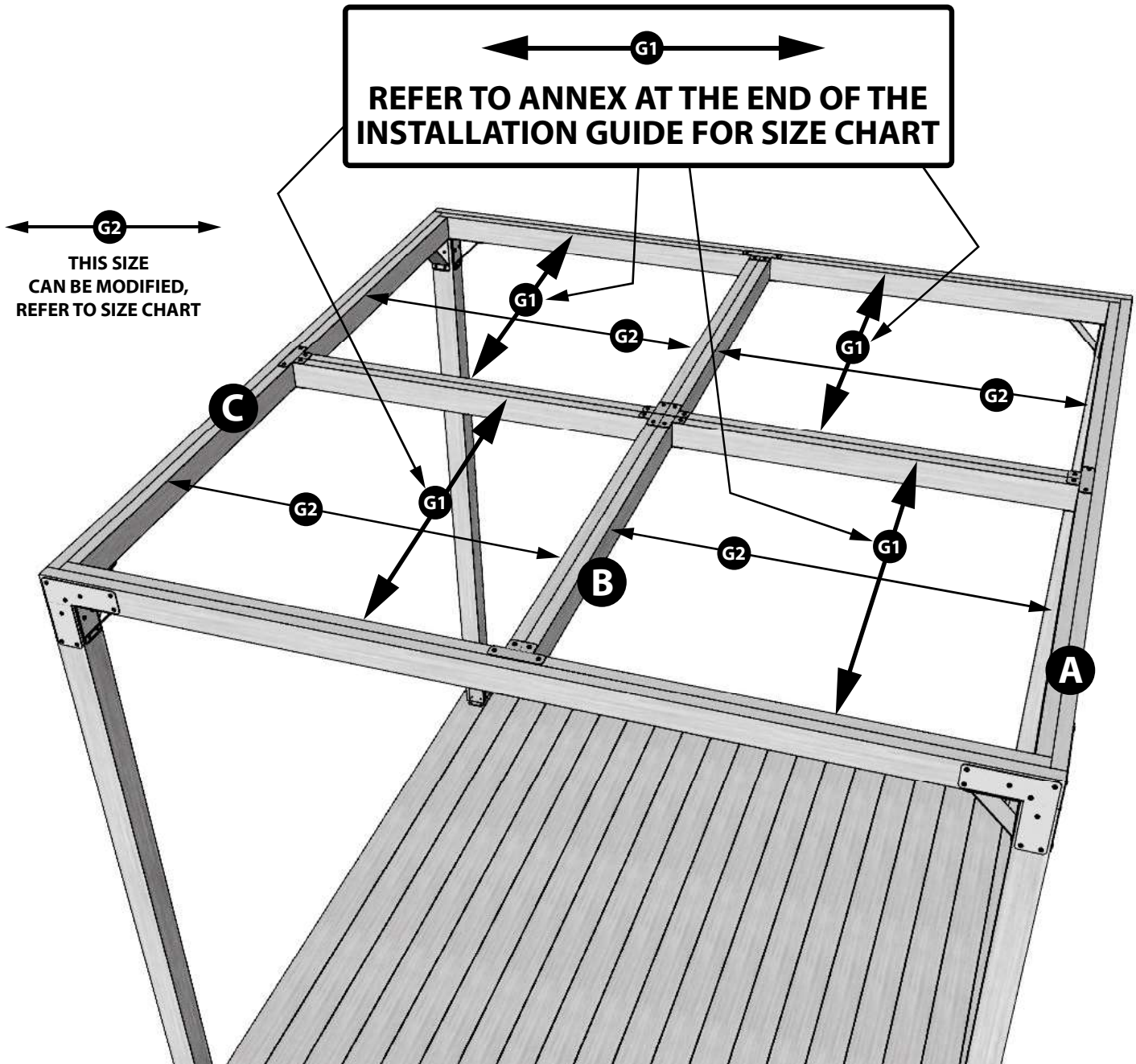
IMPORTANT: IT IS RECOMMENDED TO USE 2" X 6" BEAMS FOR A SIZE OF 9' X 12"

FOR THIS EXAMPLE WE ARE BUILDING A 9' X 9' PERGOLA

STEP 1 - MEASUREMENTS



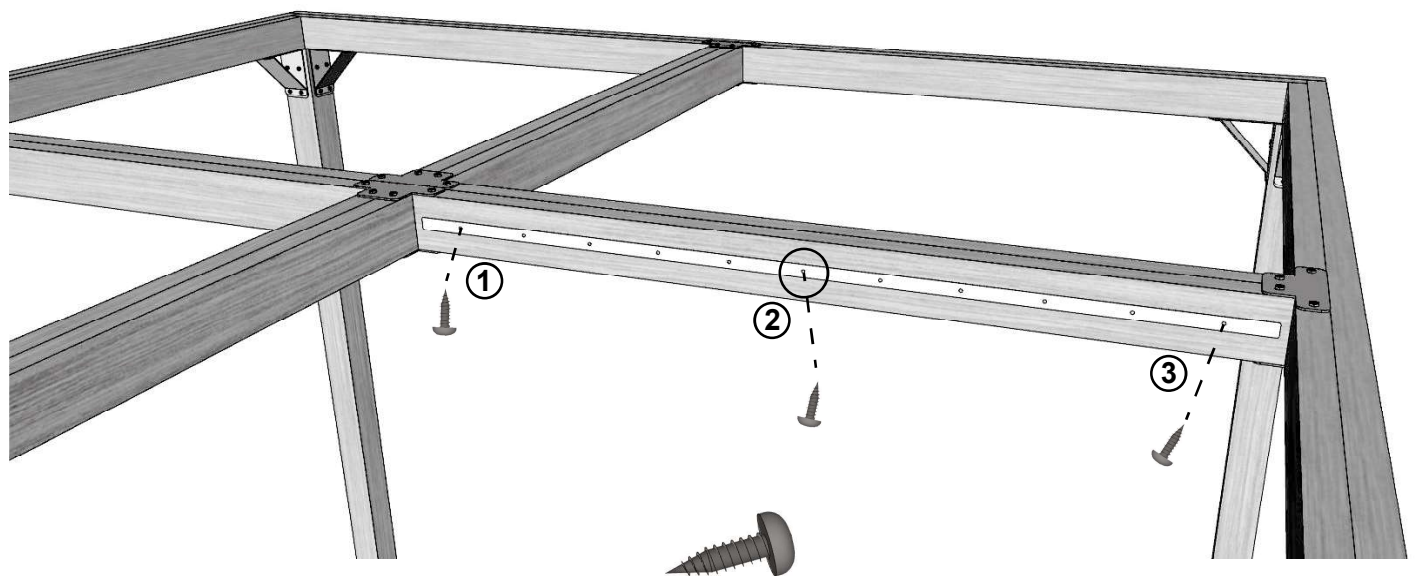
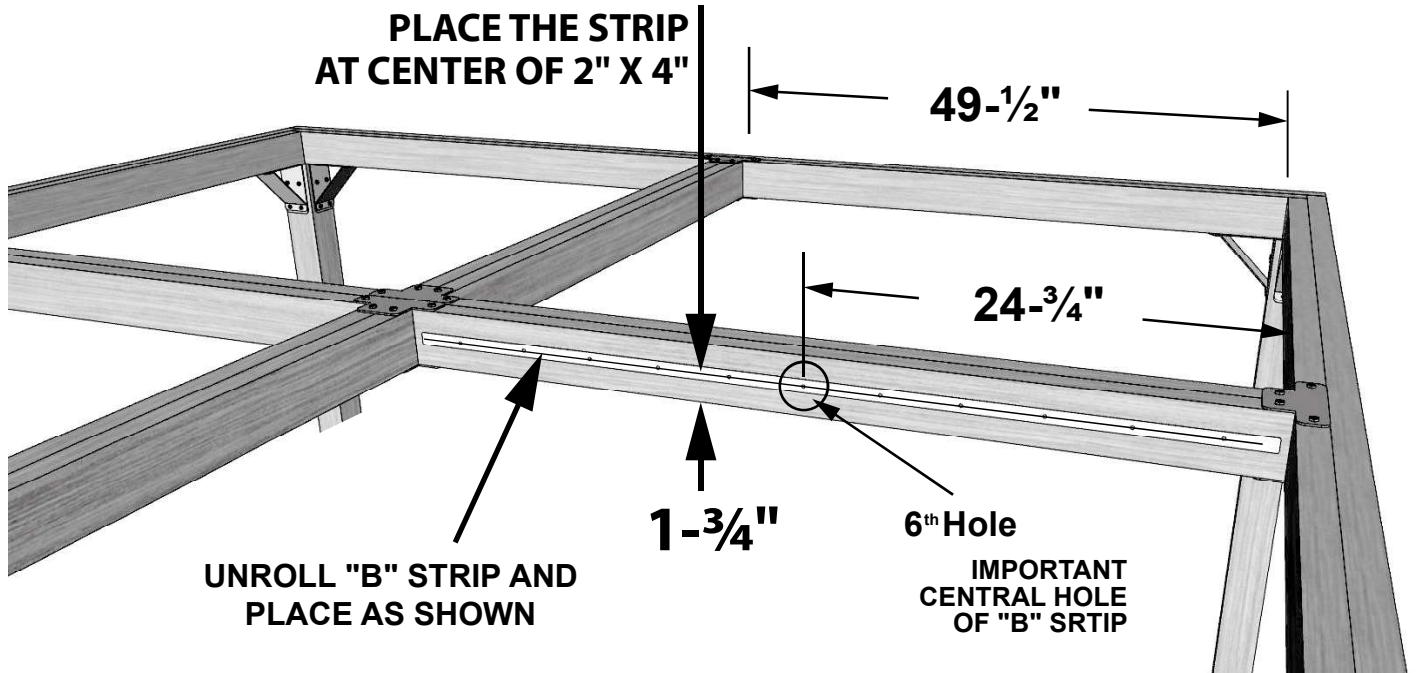
IMPORTANT:
TO PREVENT LUMBER WARDING
WE SUGGEST TO ATTACH THE WOOD AND LET IT DRY
FOR 2 TO 3 WEEKS PRIOR TO CONSTRUCTION.



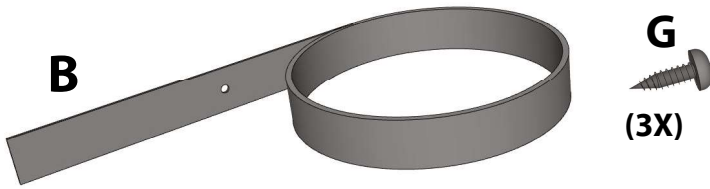
STEP 2 - INSTALLATION OF THE STRIP



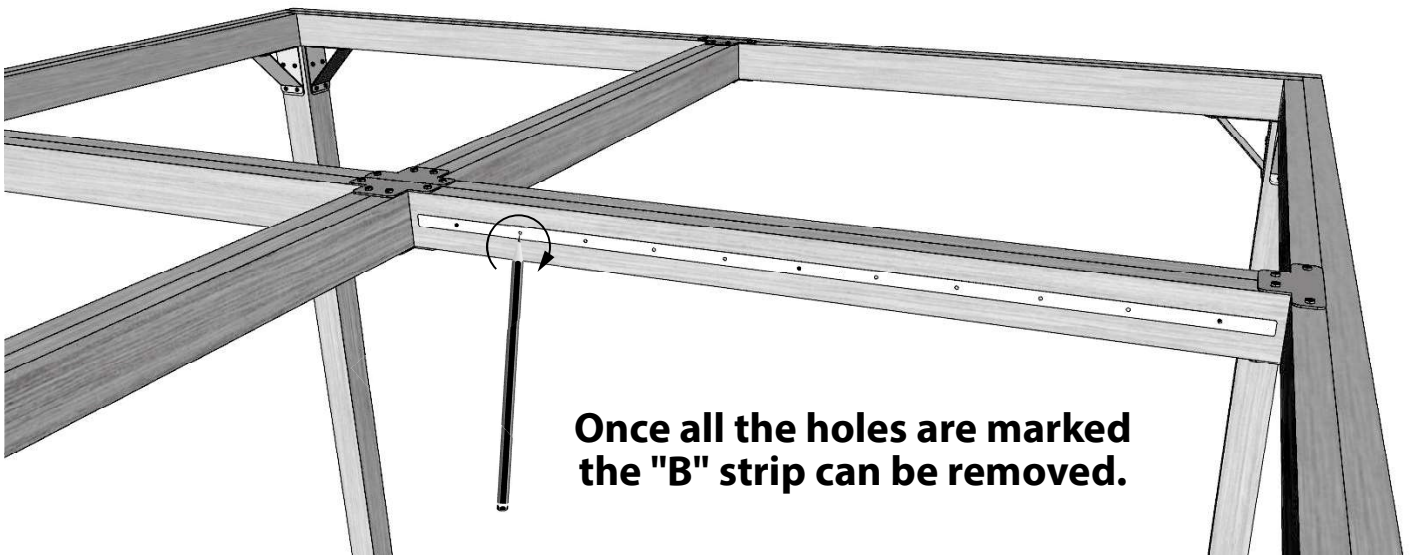
IMPORTANT STEP



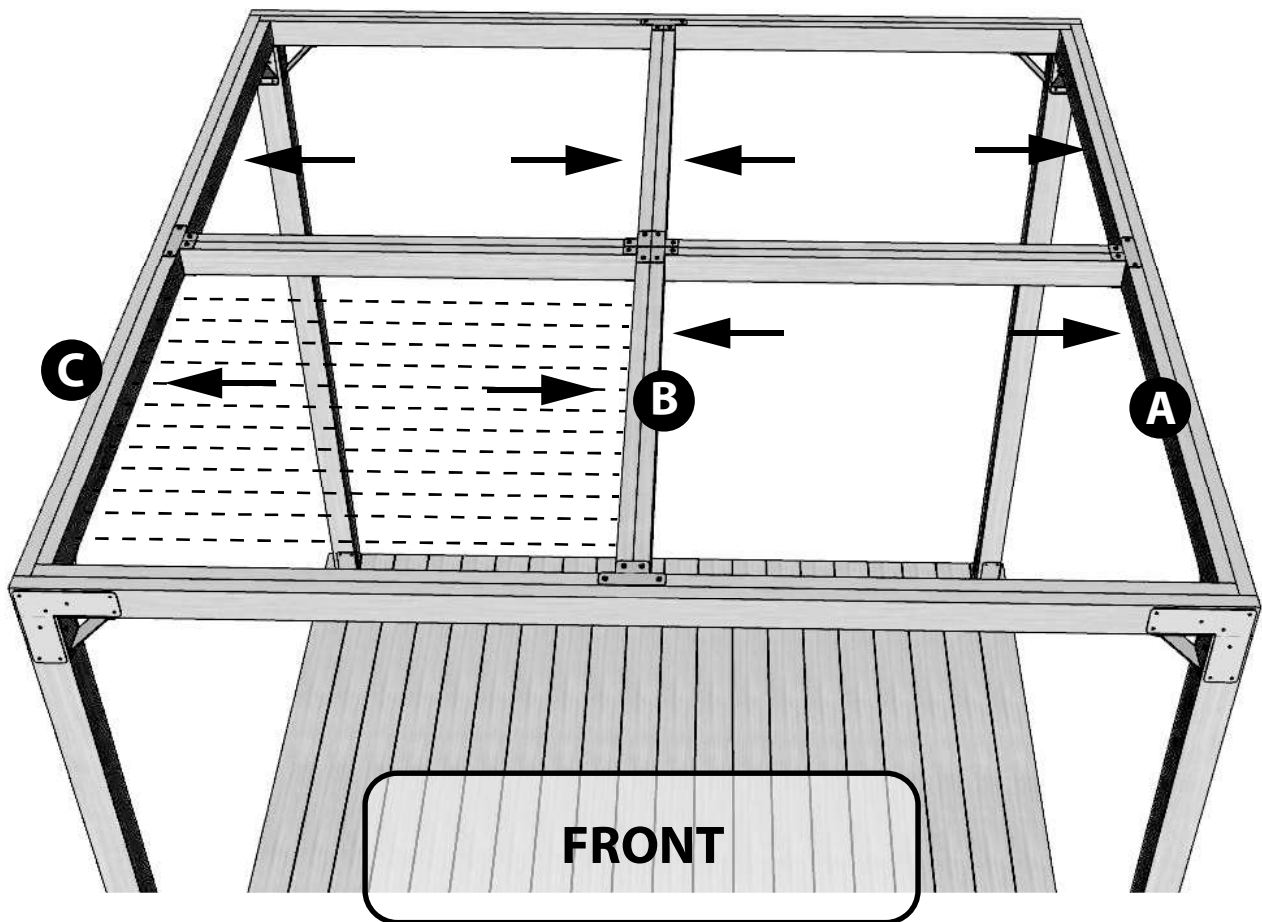
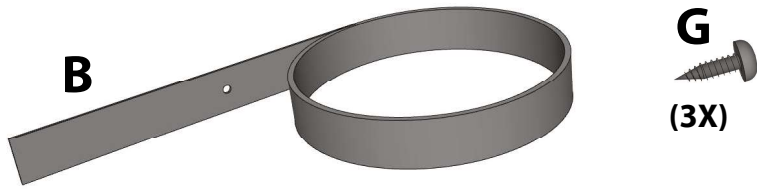
STEP 2 - INSTALLATION OF THE STRIP (NEXT)



Mark every hole using a pencil.



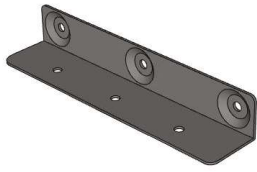
STEP 2 - INSTALLATION OF THE STRIP (NEXT)



USING THE SAME STRIP, REPEAT STEP 1 AND 2 ON EVERY SIDE POINTED BY ARROW.

**IMPORTANT:
MAKE SURE THE PENCIL MARKS
ARE FACING EACH OTHER
ON EACH SIDE.**

STEP 3 - INSTALLATION OF "C" AND "D" PARTS



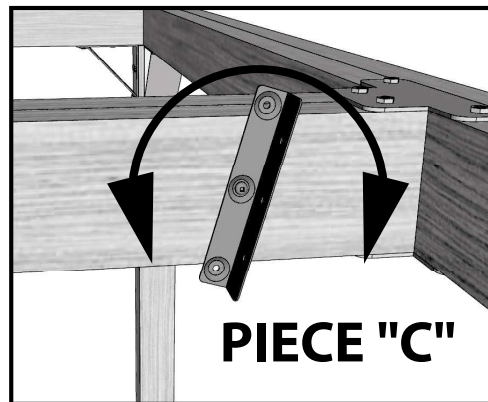
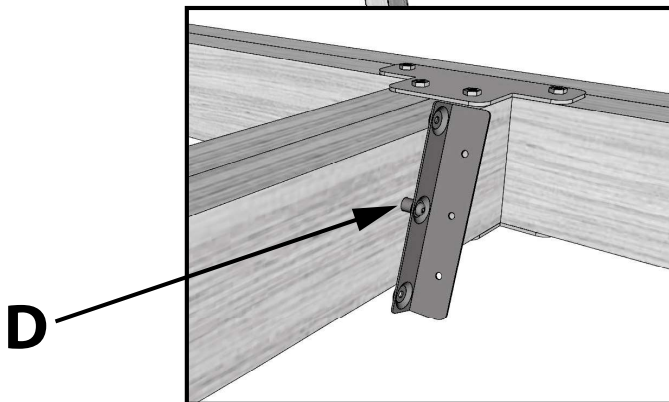
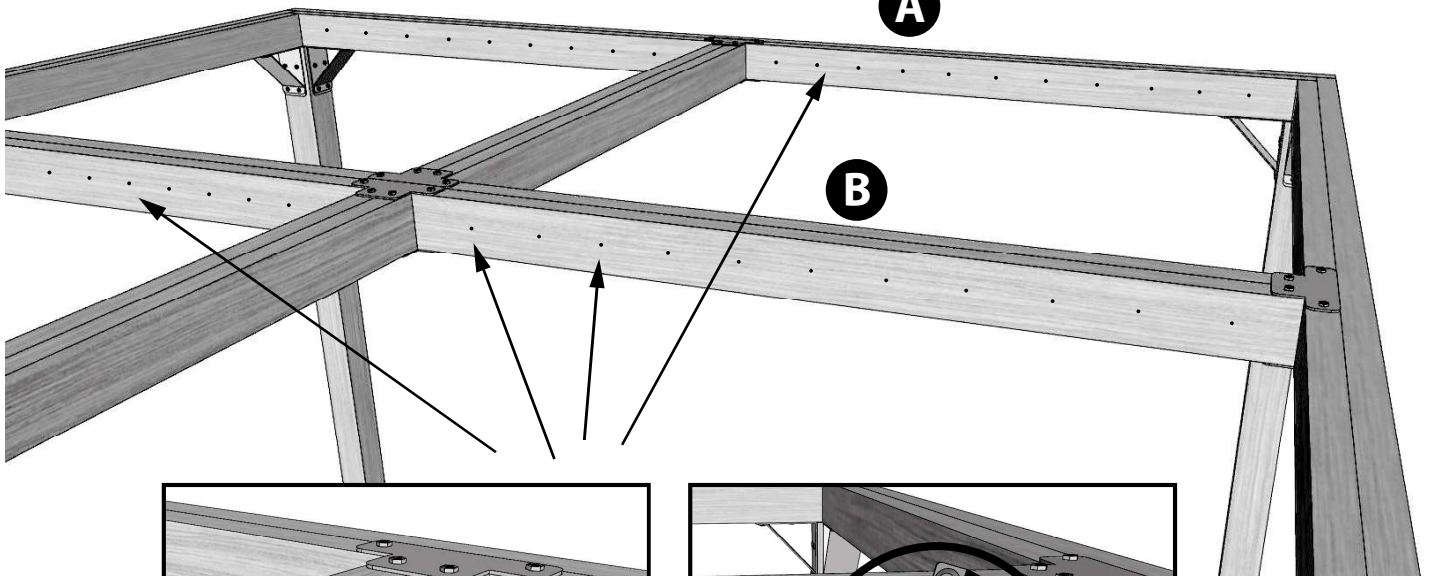
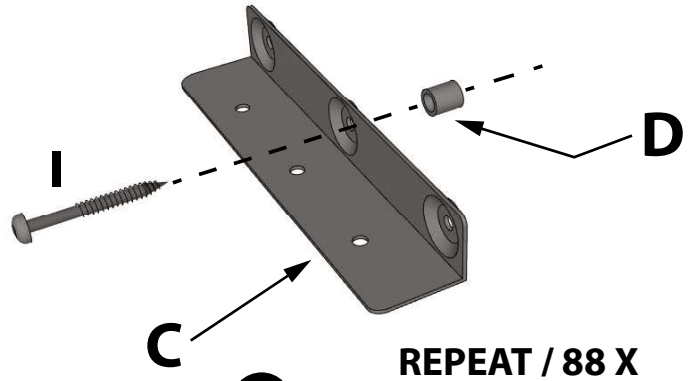
C
(88X)

D
(88X)



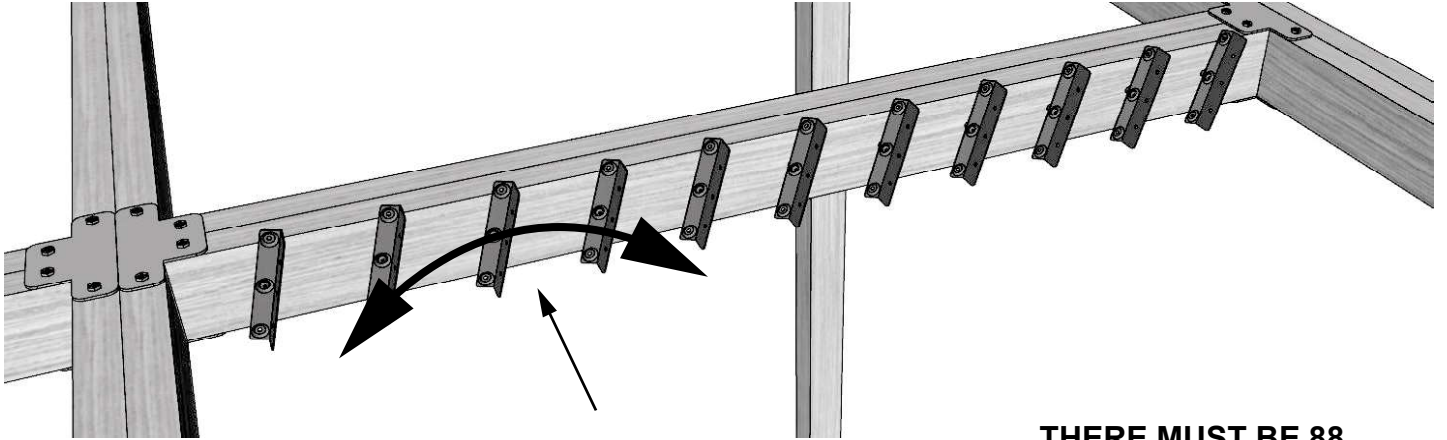
I
(88X)

INSERT "C" AND "D" PARTS
AS SHOWN.



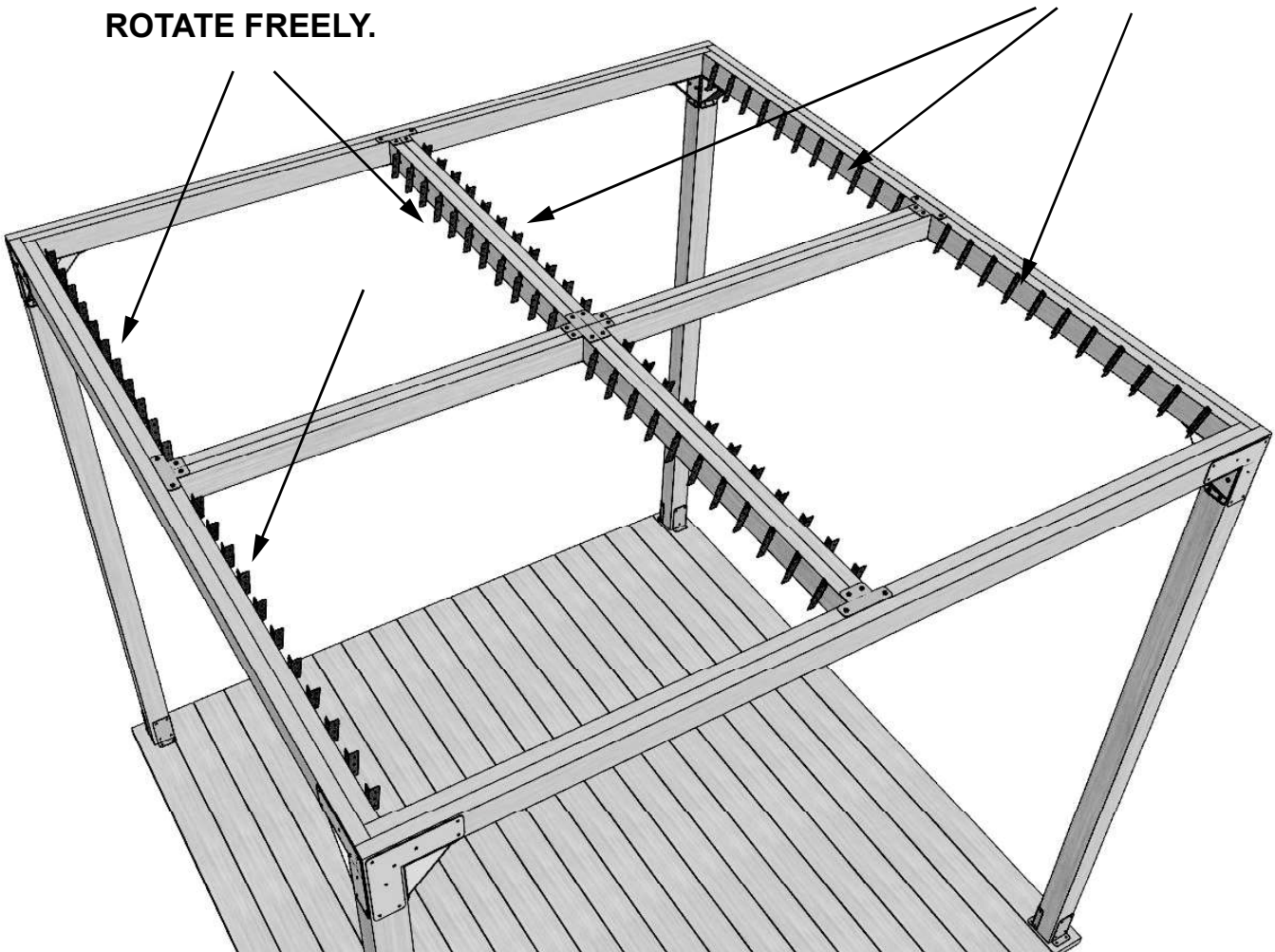
SCREW ON EACH PENCIL MARK USING "I" SCREWS.
DO NOT OVER TIGHTEN,
"C" PART MUST ROTATE FREELY.

STEP 3 - INSTALLATION OF "C" AND "D" PARTS (NEXT)



THE "C" PARTS MUST ROTATE FREELY.

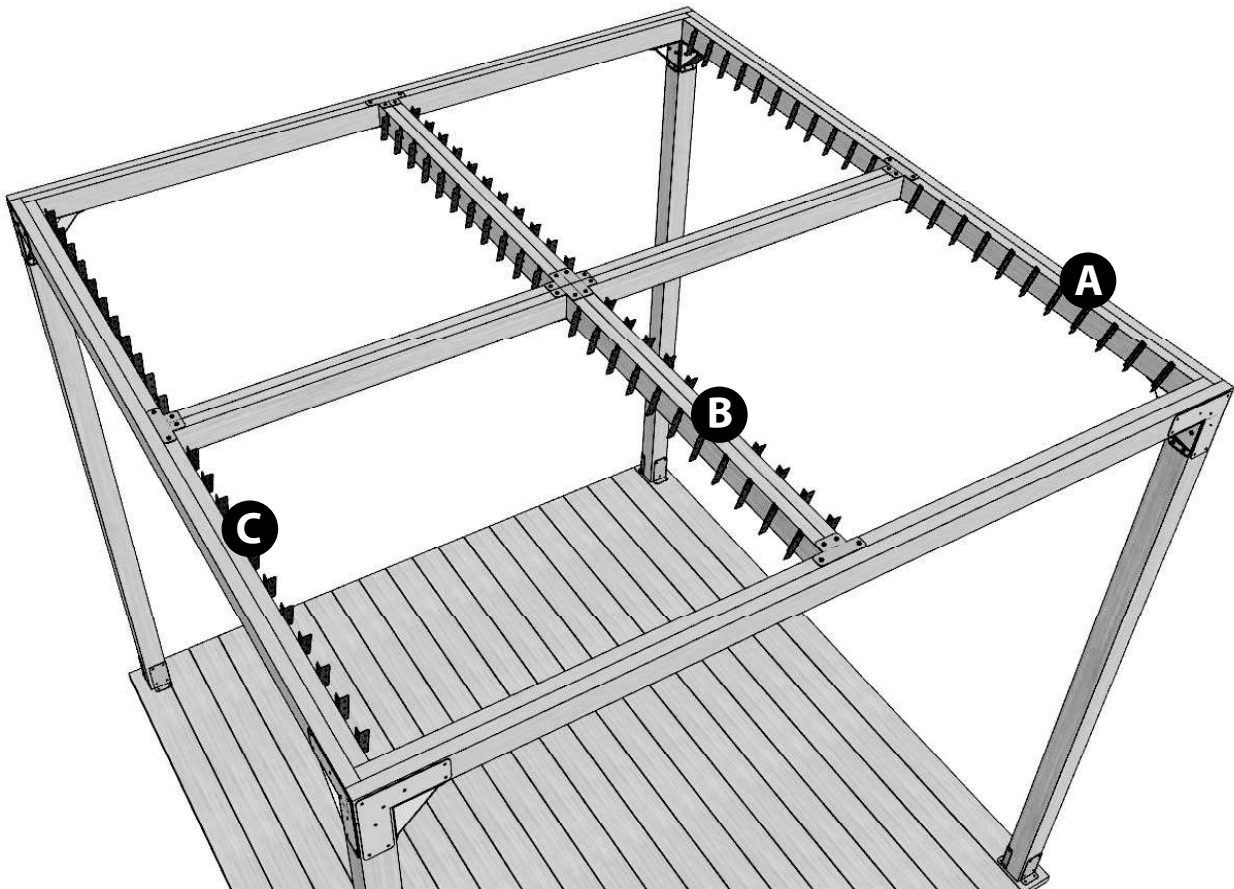
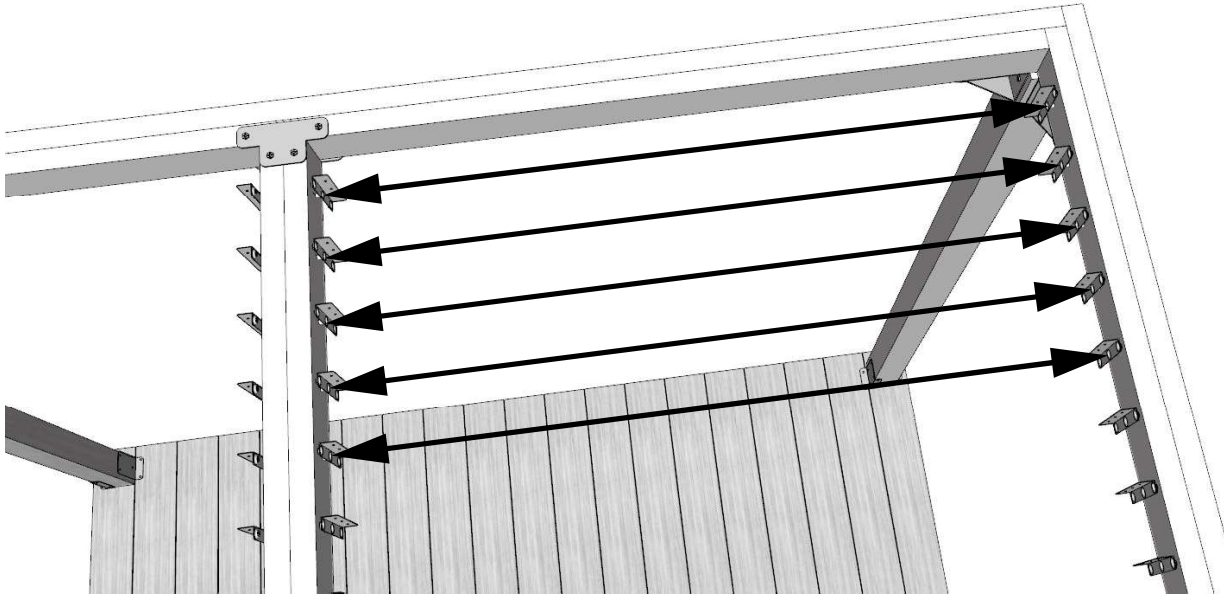
THERE MUST BE 88 "C" PIECES AS SHOWN



STEP 3 - INSTALLATION OF "C" AND "D" PARTS (NEXT)



MEASURE THE DISTANCE BETWEEN "L" SHAPE SUPPORTS
(Repeat as they may not all be the same length)

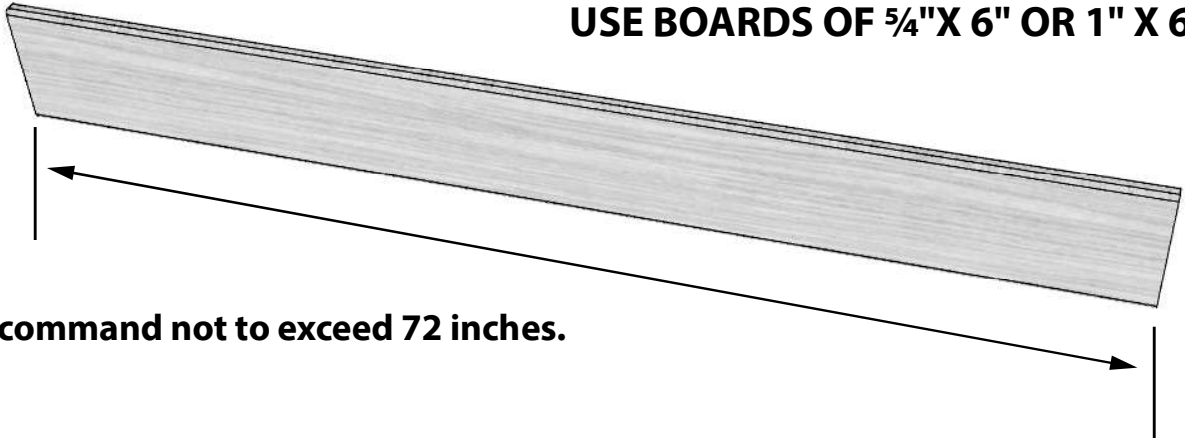


STEP 4 - INSTALLATION OF THE BOARDS

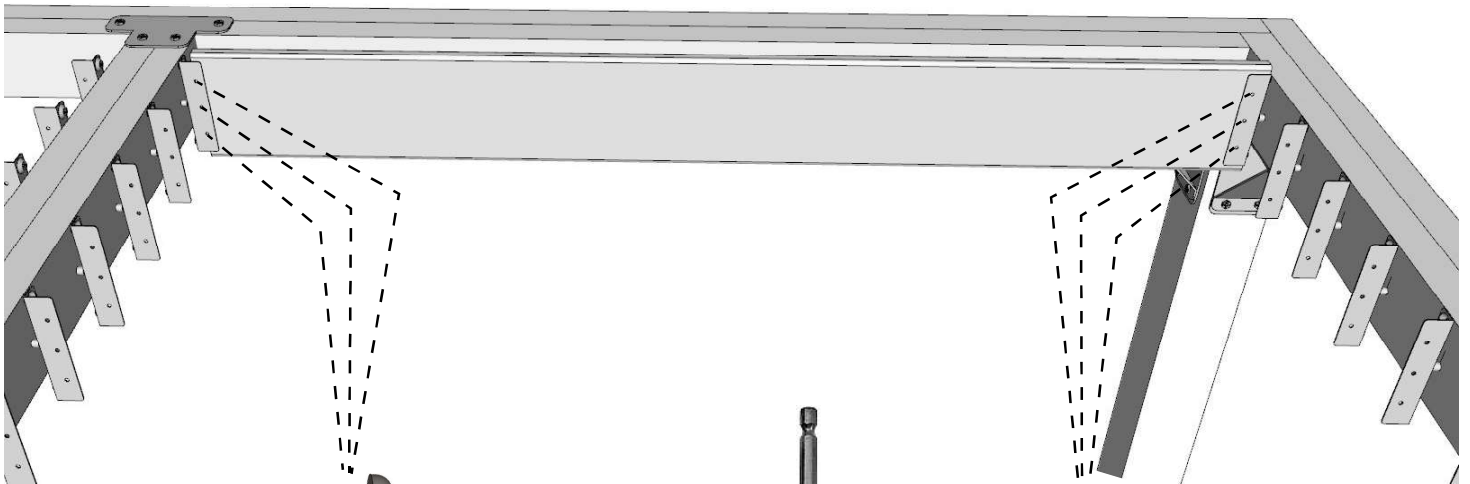


Measure the length

USE BOARDS OF $\frac{5}{4}$ " X 6" OR 1" X 6"



We recommend not to exceed 72 inches.



H

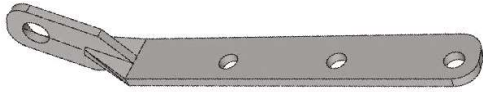
H

YOU MAY USE
A 6" #2

Not included

REPEAT THIS STEP ON
EVERY BOARD.

STEP 4 - INSTALLATION OF THE BOARDS (NEXT)

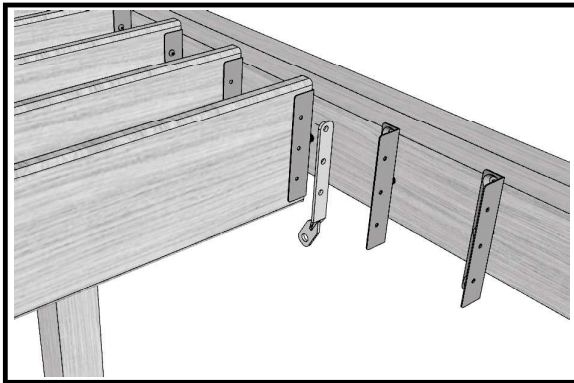
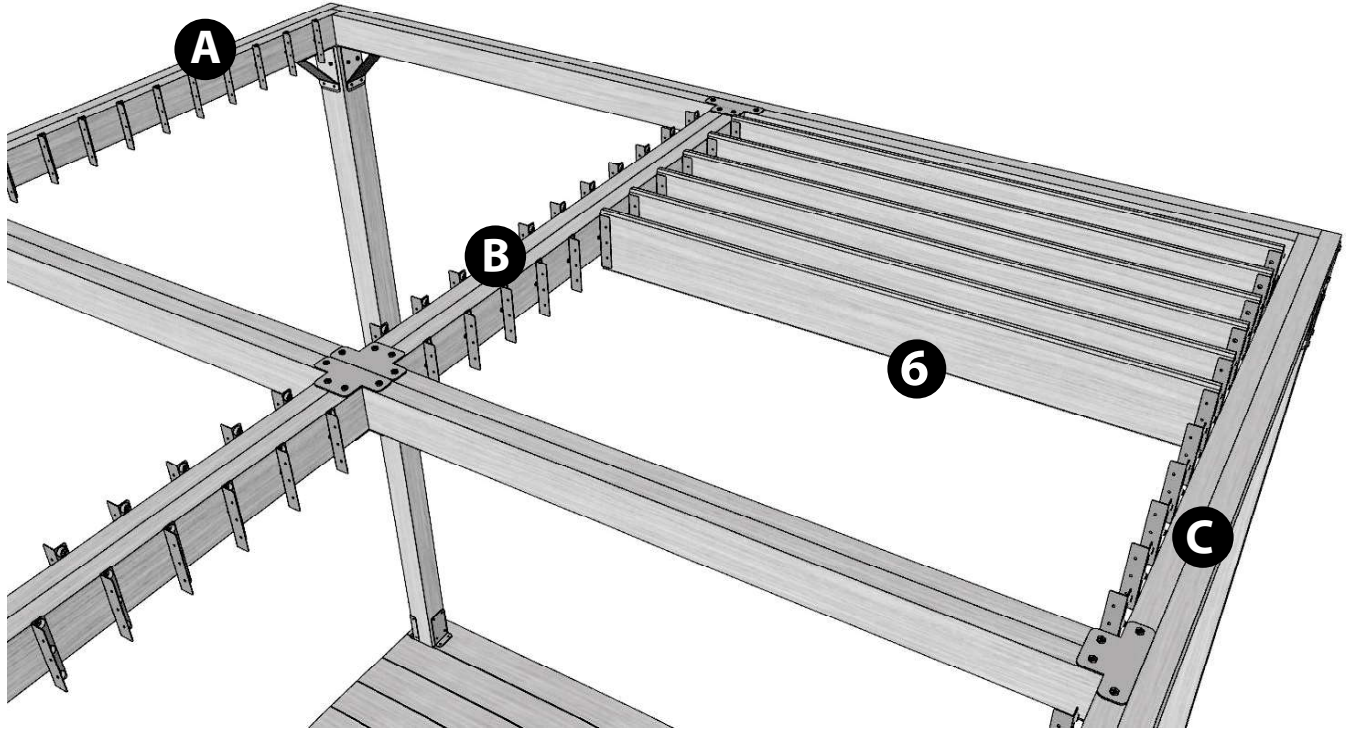


E (12X)

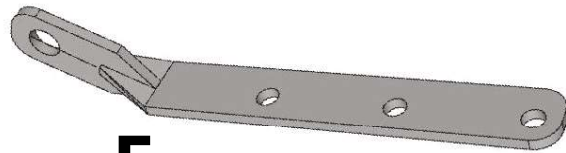
H



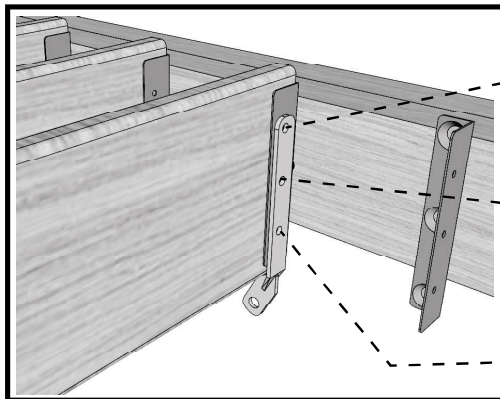
(12X)



**INSTALL 6 BOARDS AND THEN
INSTALL "C" PART
ON THIS 6th BOARD.**



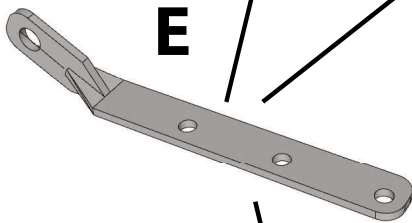
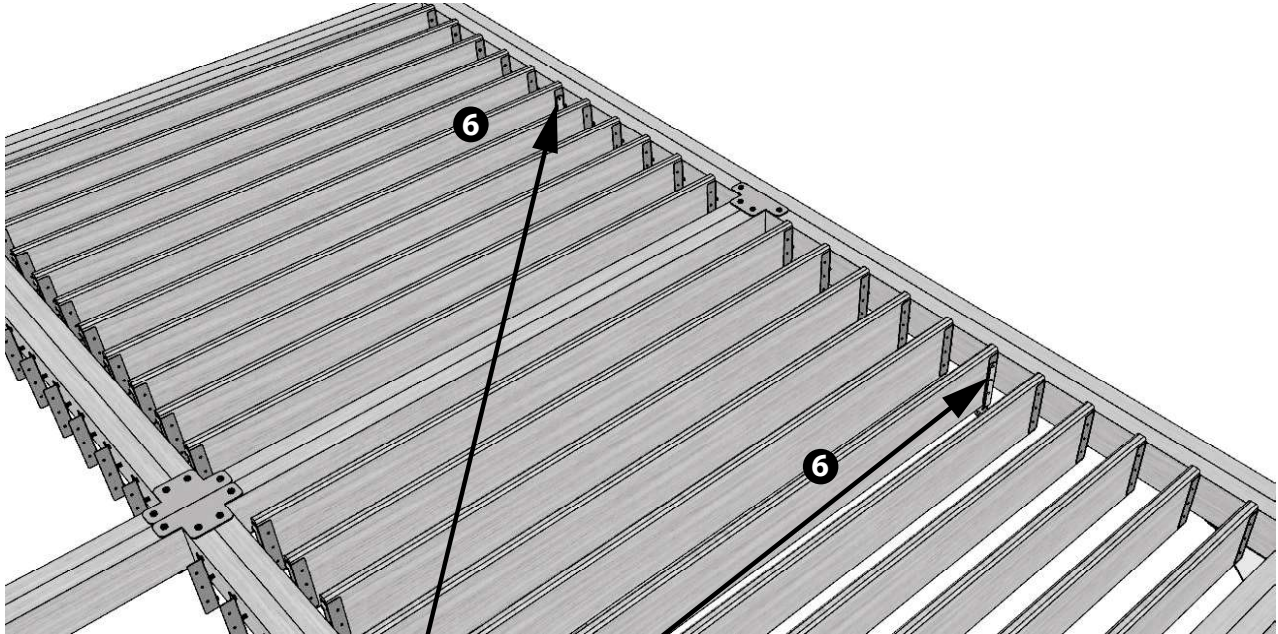
E



H

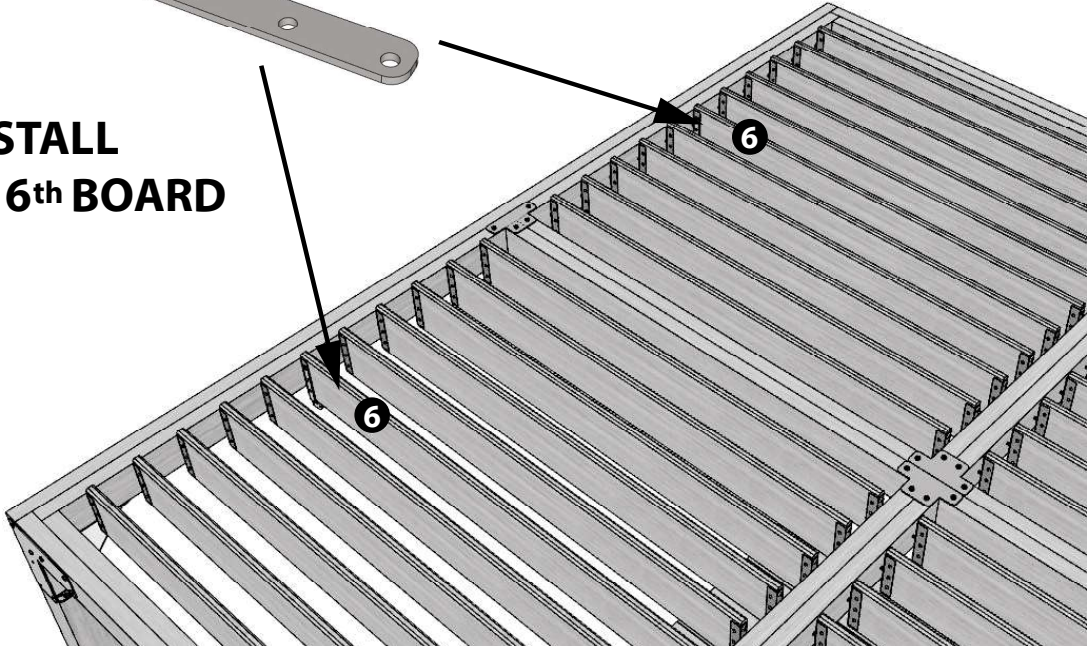


STEP 5 - INSTALLATION OF "E" PARTS

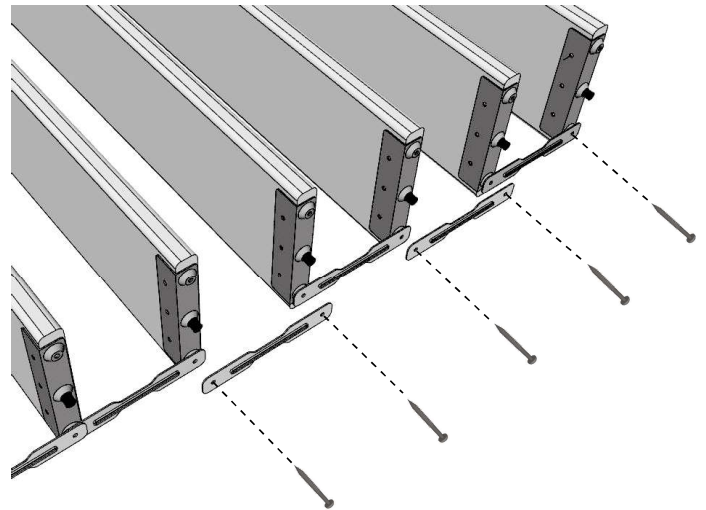
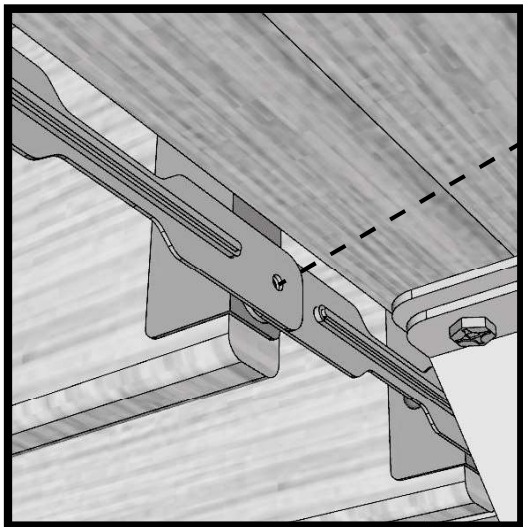
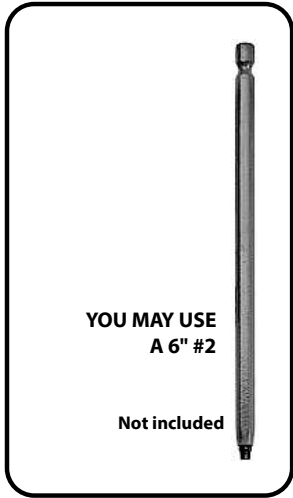
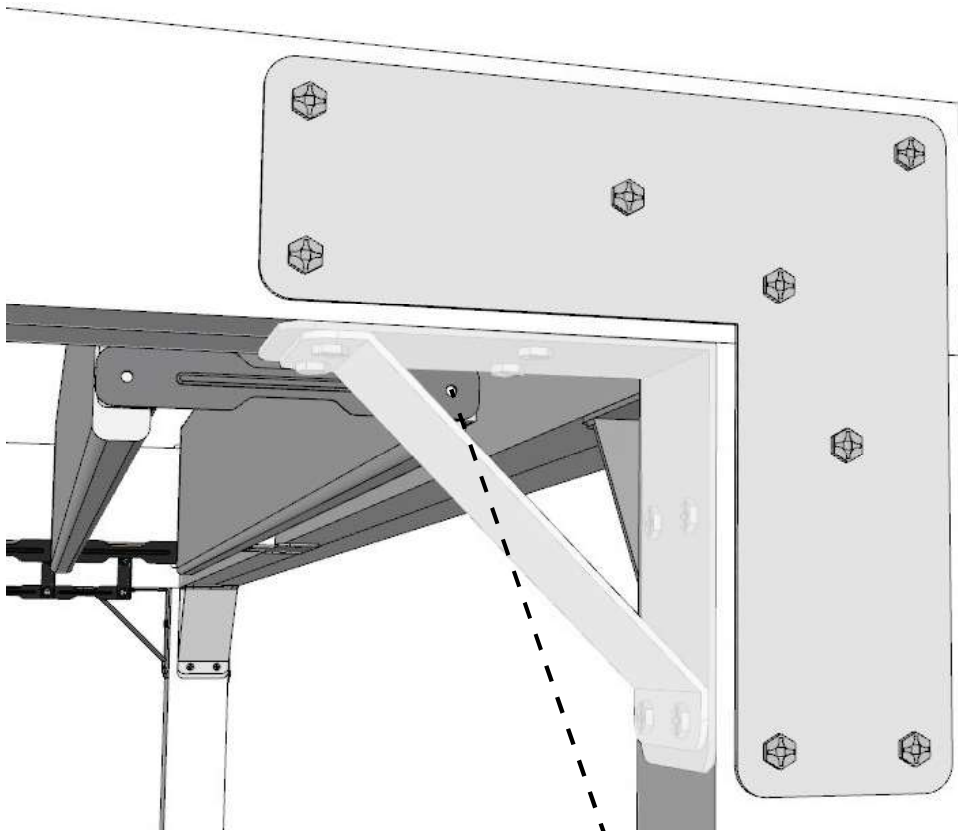
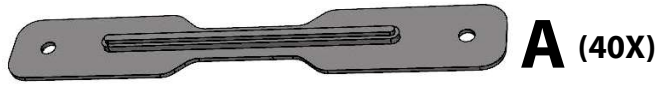


4X "E" PARTS

INSTALL
ON THE 6th BOARD



STEP 6 - INSTALLATION OF "A" PARTS

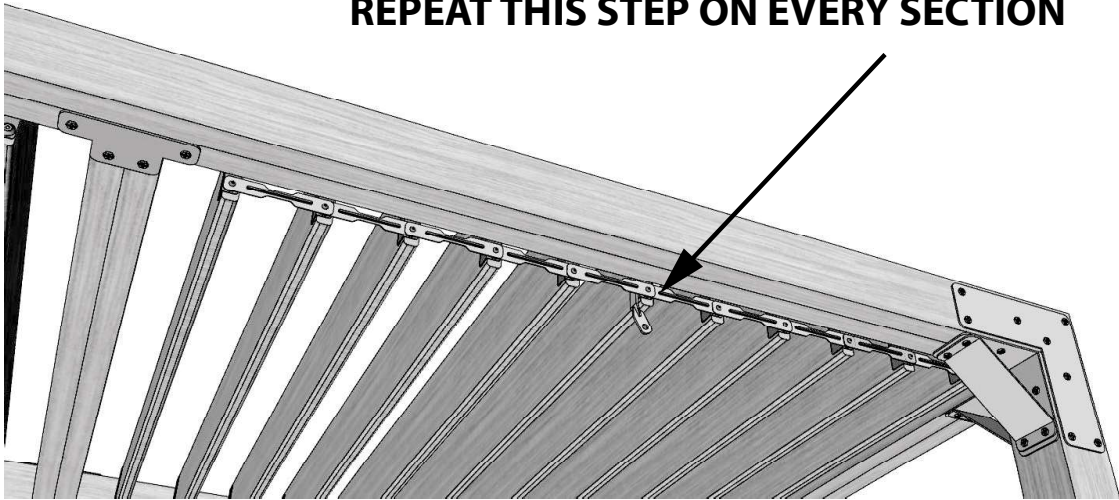


**Do not over
tighten the screws**

STEP 6 - INSTALLATION OF "A" PARTS



REPEAT THIS STEP ON EVERY SECTION



INSTALL PLATES THIS SIDE ONLY



STEP 6 - INSTALLATION OF PARTS "A" (NEXT)

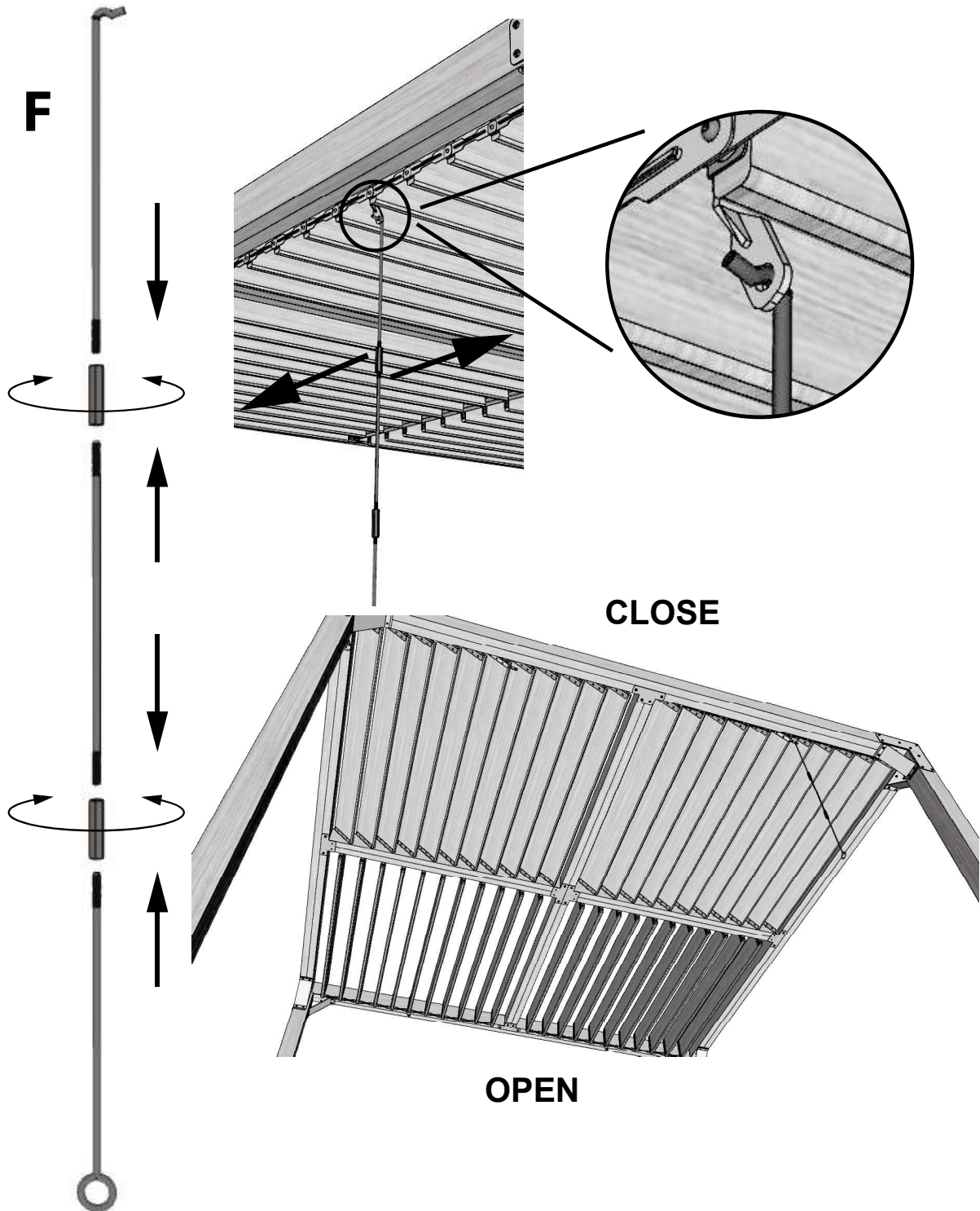



TABLE	

NUMBER OF BOARDS	REQUIRED OPENING	
3	14-5/16"	364 mm
4	18-11/16"	474 mm
5	23"	584 mm
6	27-5/16"	694 mm
7	31-11/16"	804 mm
8	36"	914 mm
9	40-5/16"	1024 mm
10	44-5/8"	1134 mm
11	49"	1244 mm
12	53-5/16"	1354 mm
13	57-5/8"	1464 mm
14	62"	1574 mm
15	66-5/16"	1684 mm
16	70-5/8"	1794 mm
17	75"	1904 mm
18	79-5/16"	2014 mm

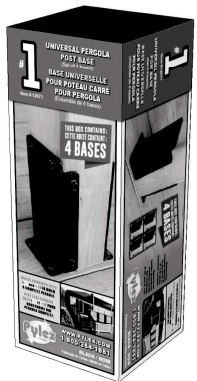
G1



PLEASE NOTE THAT THE MEASUREMENTS IN THE WHITE CIRCLES ARE ROUNDED. USE THE MEASUREMENTS IN THE BLACK SQUARES.

(Product #11060 contains parts for 11 more boards)

TO BUILD A COMPLETE PERGOLA SEE INFORMATION ON THE BACK OF THE BOX.



**Part : 1
12071**

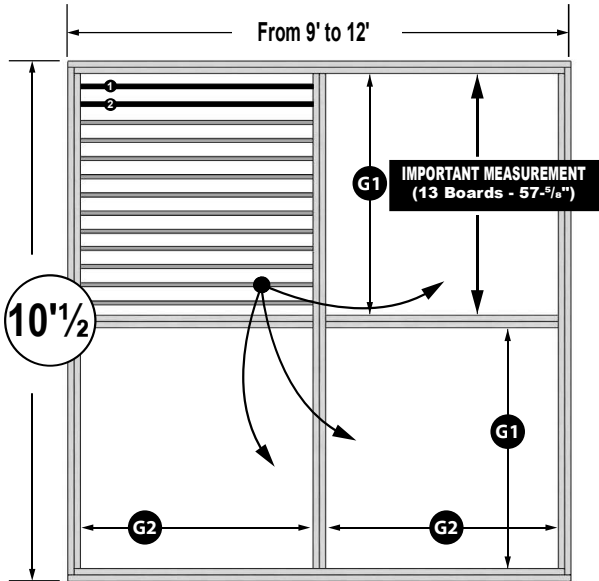
(Sold separately)



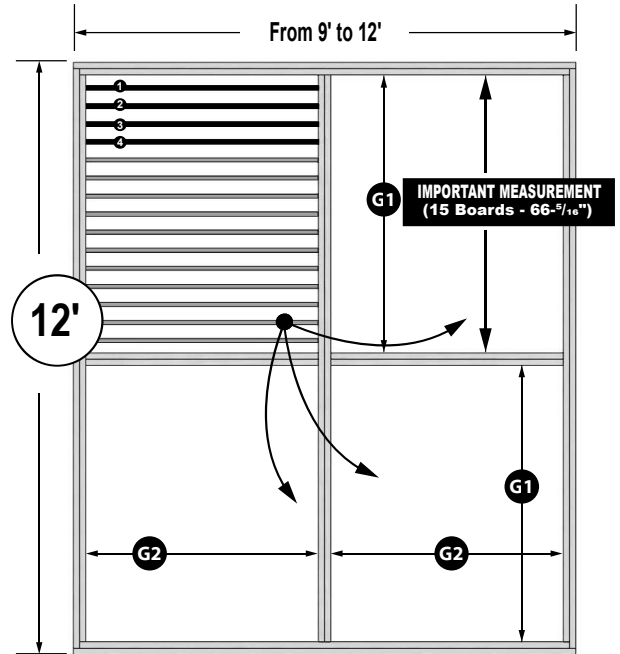
**Part : 2
12072**

(Sold separately)

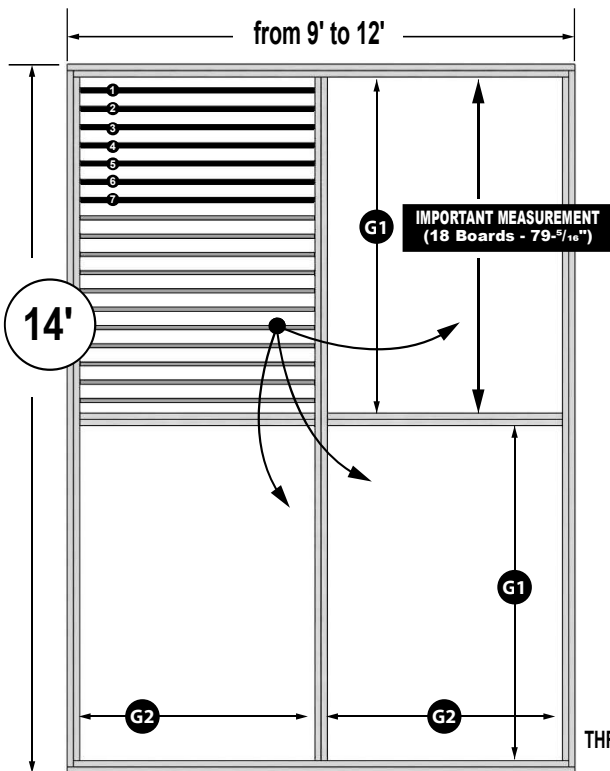
IMPORTANT MEASURES



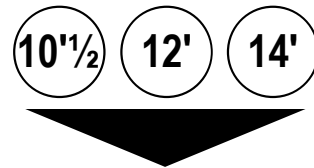
ONE BOX OF PRODUCT #11060 MUST BE PURCHASED



TWO BOXES OF PRODUCT #11060 MUST BE PURCHASED



THREE BOXES OF PRODUCT #11060 MUST BE PURCHASED



PLEASE NOTE THAT THE MEASUREMENTS IN THE WHITE CIRCLES ARE ROUNDED. USE THE MEASUREMENTS IN THE BLACK SQUARES.



RATE US!



Satisfied with your Pylex product?

Please let us know by sharing pictures with us at info@pylex.com

You can also write a review online
about your purchase.

(By sending your image, you agree to give Pylex the right to it in its marketing activities).

Thank you!

YOU LIKED OUR PRODUCT?

Visit our website: www.pylex.com to see all our products
or scan this QR code to have access to our catalog!



Pylex Guarantee Certificate



Follow us on:

