

Here is the most recent version of the installation video



Here you have the most recent version of the installation guide

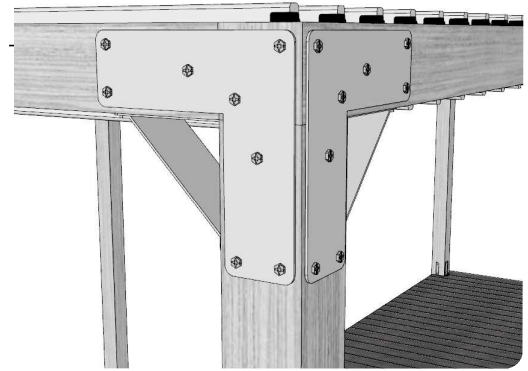
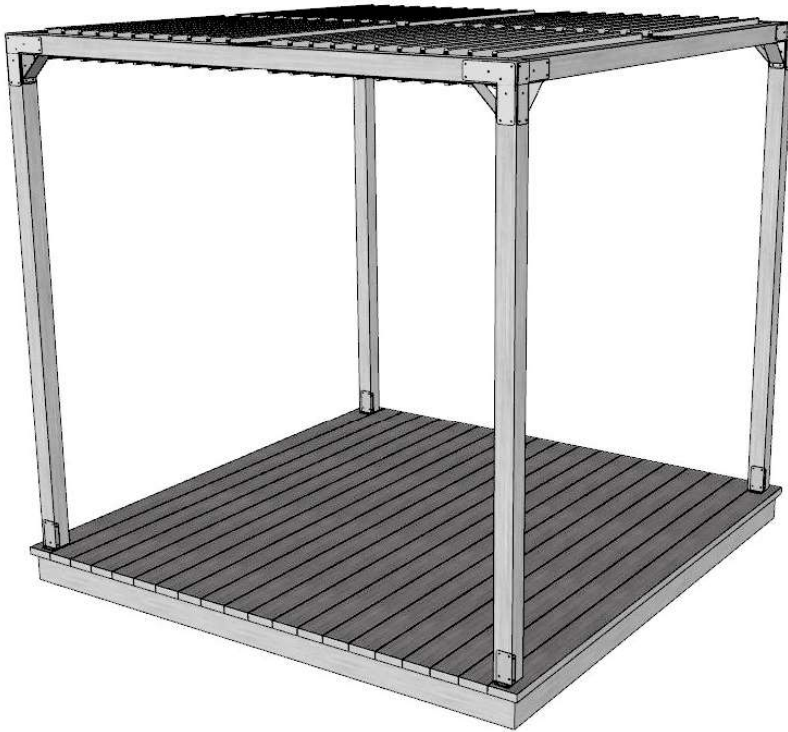


INSTALLATION GUIDE



PERGOLA HARDWARE BRACKET SET

12072



Question? - Contact us:

First contact our friendly customer service team for assistance.

Email: info@pylex.com or call: 1-800-264-1881

Monday to Friday: 8:30am to 4:30pm UTC

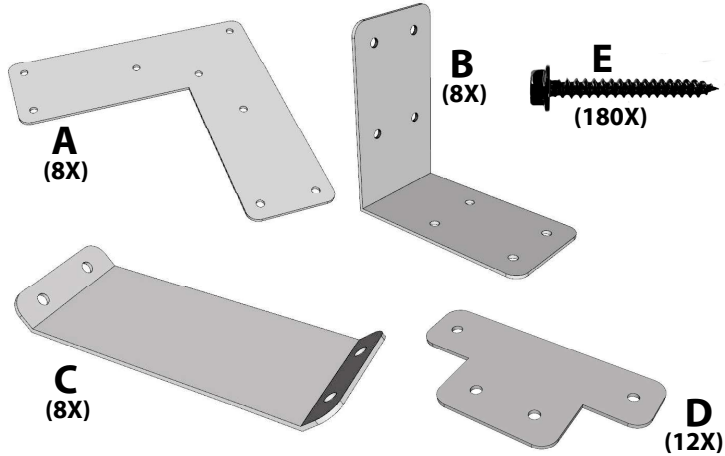
Replacement for damaged or missing parts will be shipped promptly.

Rev.: 42-0226



DECK AND FENCE HARDWARE
WWW.PYLEX.COM / 1 800-264-1881

PARTS LIST

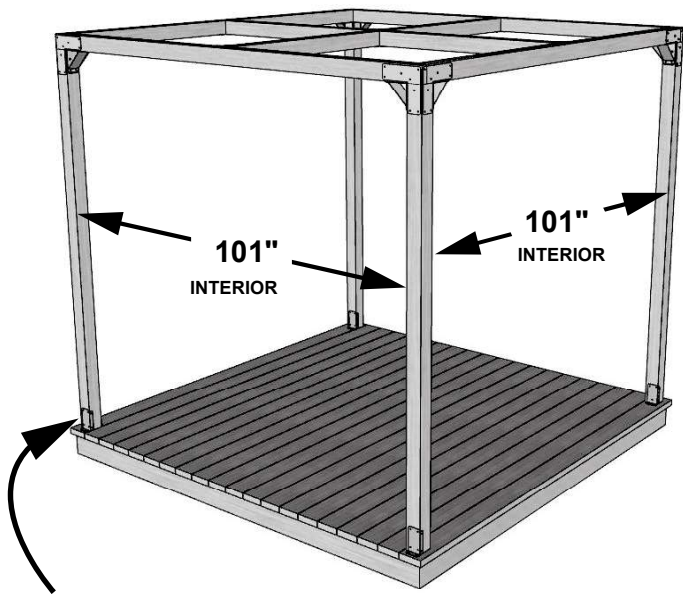


TOOLS REQUIRED

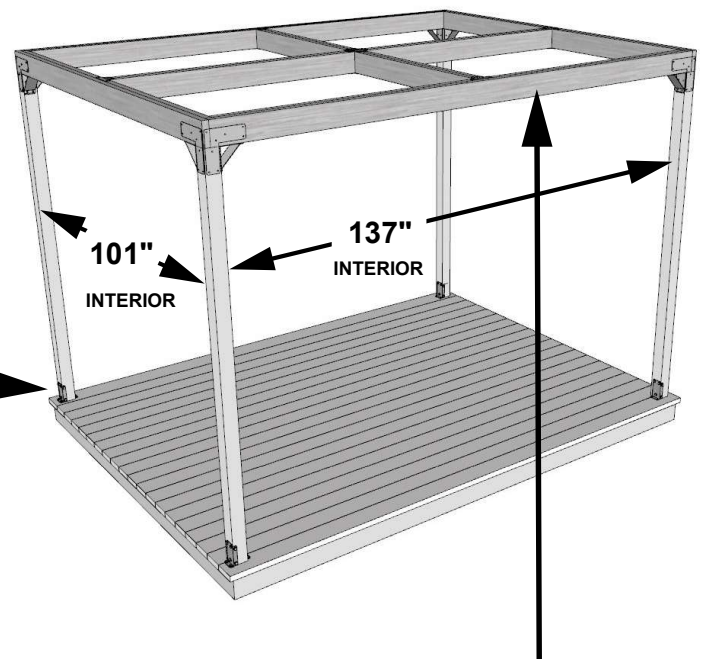


IMPORTANT :
TO PREVENT LUMBER WARDING
WE SUGGEST TO ATTACH THE WOOD AND TO LET IT DRY
FOR 2 TO 3 WEEKS PRIOR TO CONSTRUCTION.

POST: 4" X 4"



**UNIVERSAL PERGOLA
POST BASE (Set of 4 bases)**
Product #12071 / Sold separately



**IMPORTANT: IT IS RECOMMENDED TO
USE 2" X 6" BEAMS FOR
A 9' X 12' PERGOLA**

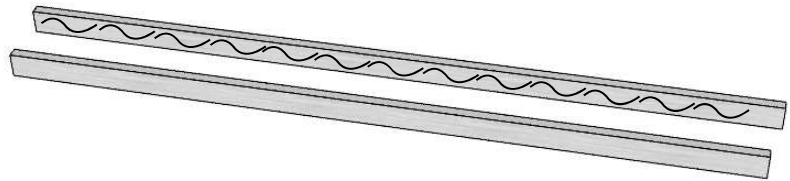
THIS DECK IS FOR
EXAMPLE ONLY

FOR THIS EXAMPLE WE ARE BUILDING A 9' X 9' PERGOLA

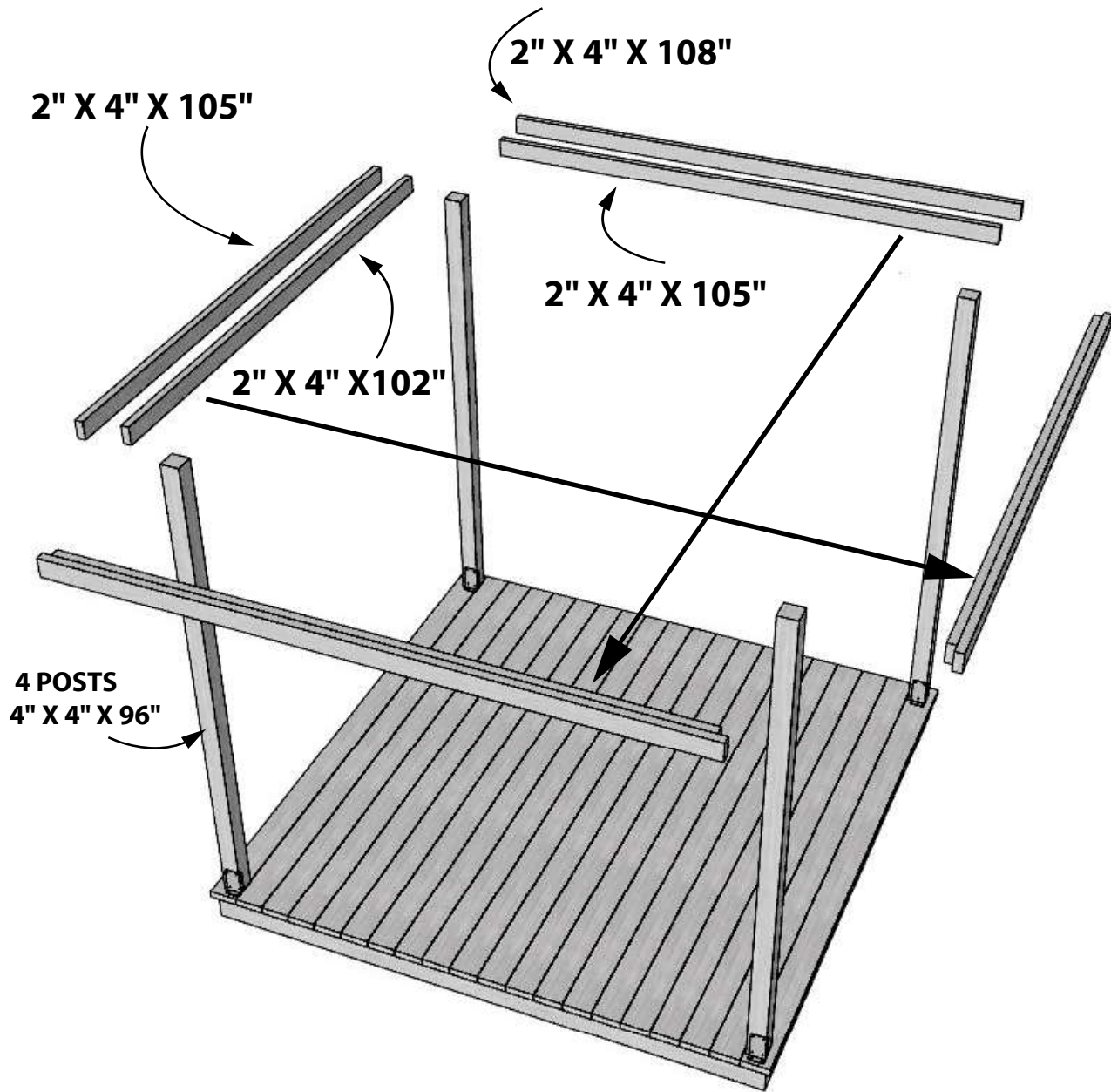
STEP 1 - 9' X 9' PERGOLA



WITH MODEL:
POST: 4" X 4"



**WE RECOMMEND
GLUING THE 2" X 4"**
(Use construction adhesive)

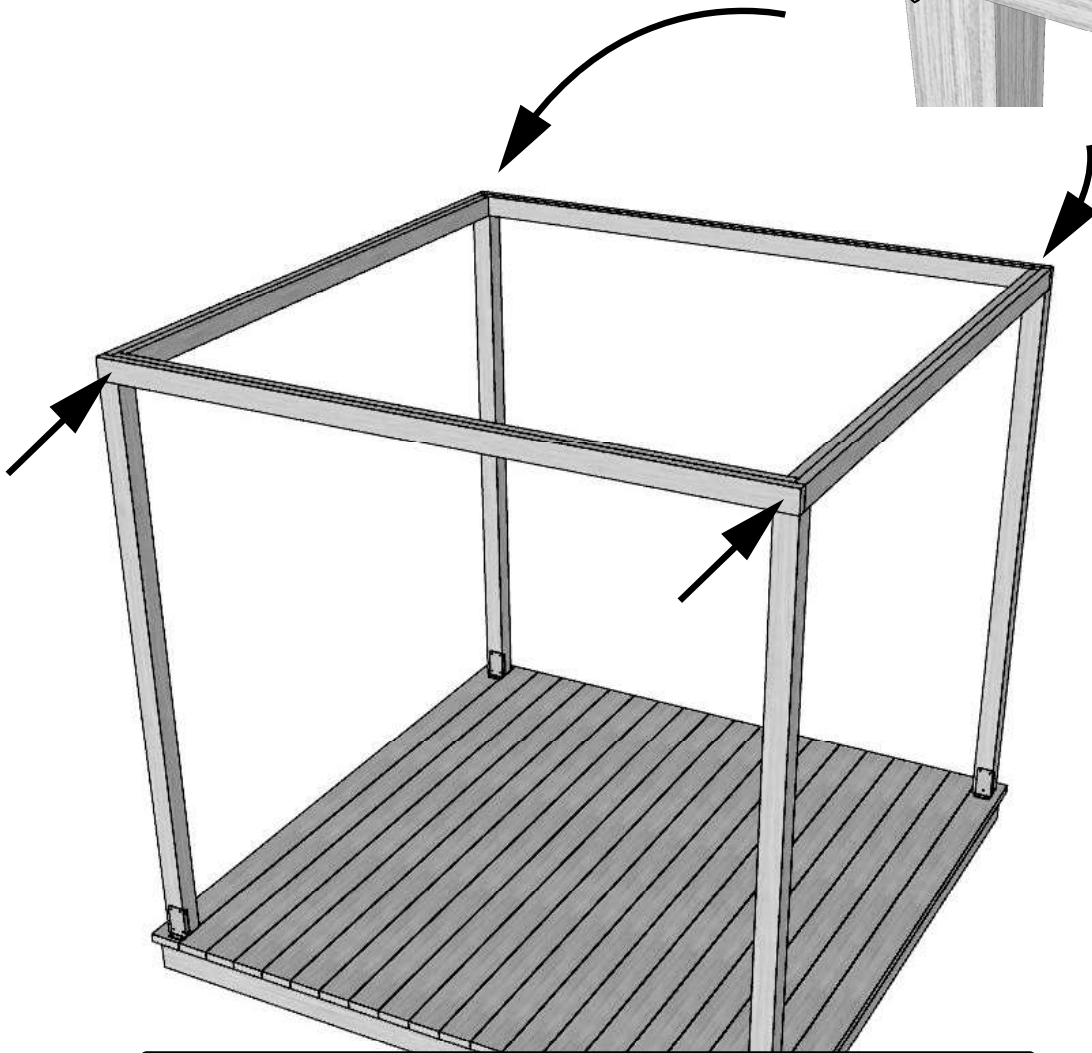
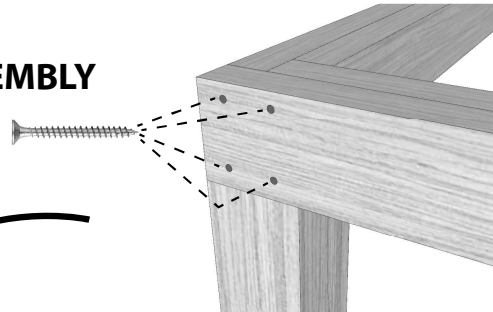


STEP 1 - 9' X 9' PERGOLA - NEXT



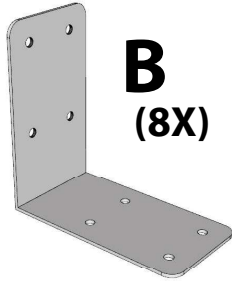
TO ASSEMBLE THE BEAM
USE 4 WOOD SCREWS ON
EACH CORNER OF THE BEAM
(3 1/2" WOOD SCREWS - NOT INCLUDED)

SUGGESTED CORNER ASSEMBLY



**WE SUGGEST PRE-DRILLING WITH 1/16" DRILL BIT
FOR THE WHOLE CONSTRUCTION.**

STEP 2 - "A" PART ASSEMBLY

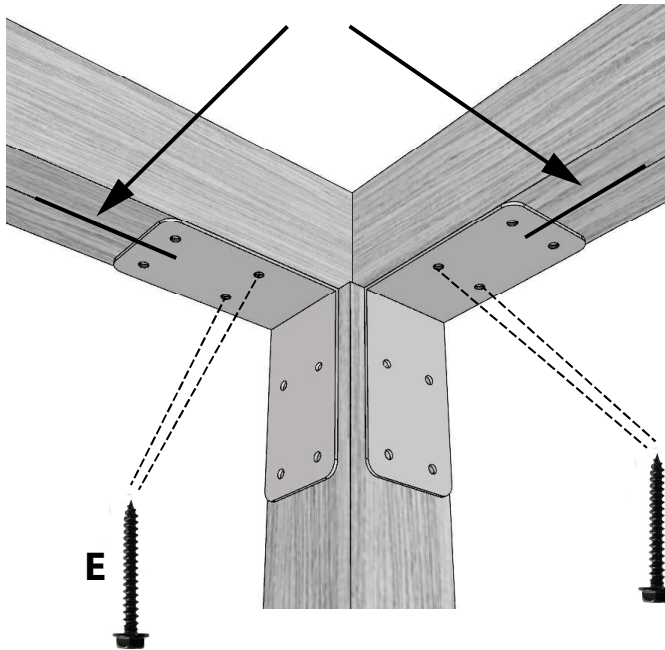


B
(8X)

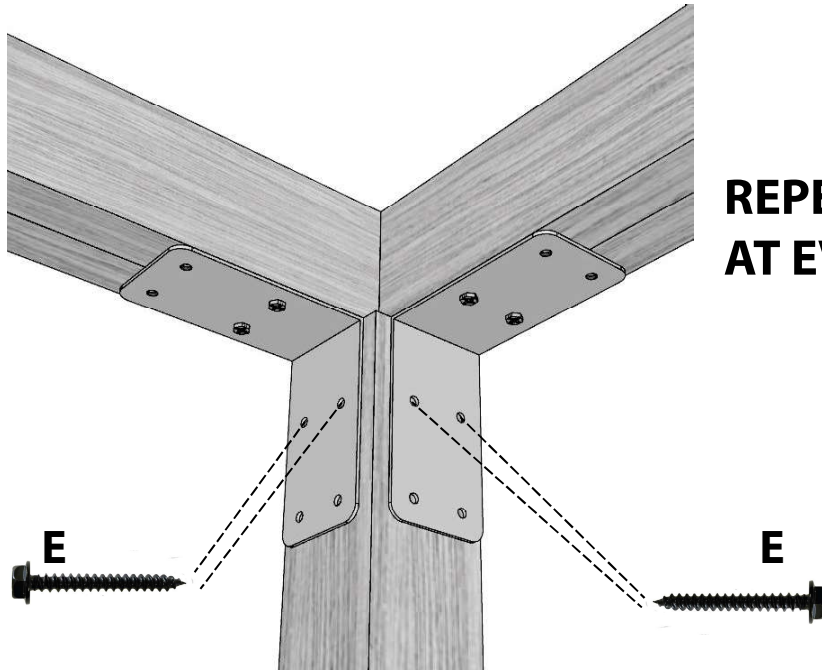


E (32X)

PROPERLY ALIGNED WITH THE BEAM

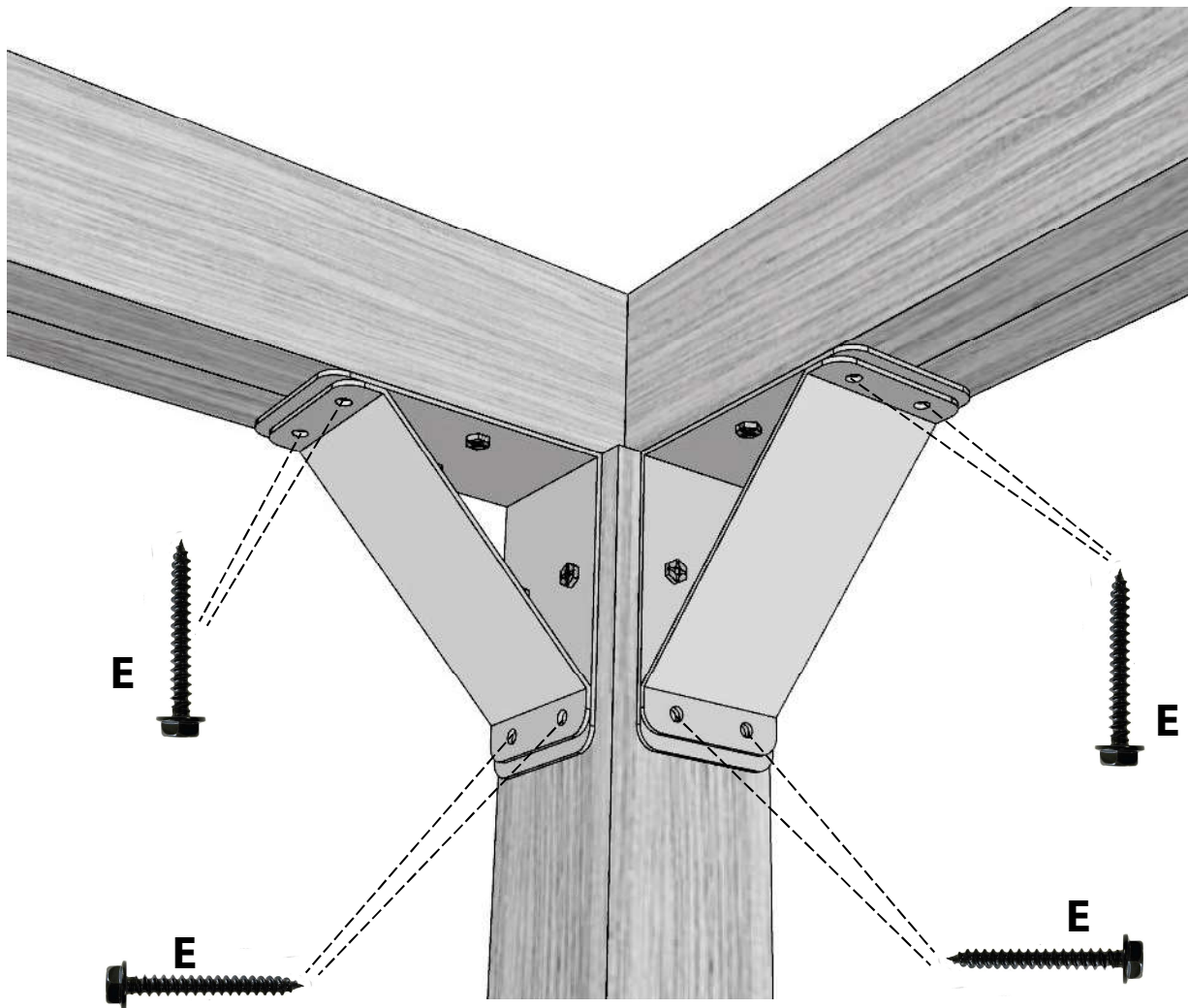
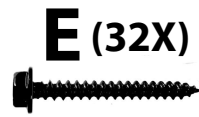
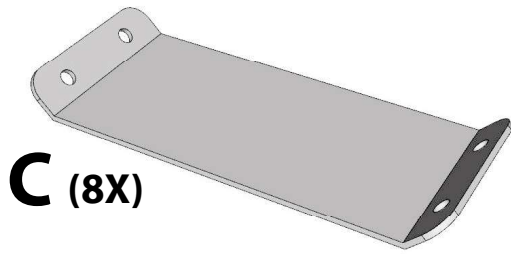


**Do not over
tighten the screws**



**REPEAT THIS STEP
AT EVERY CORNER**

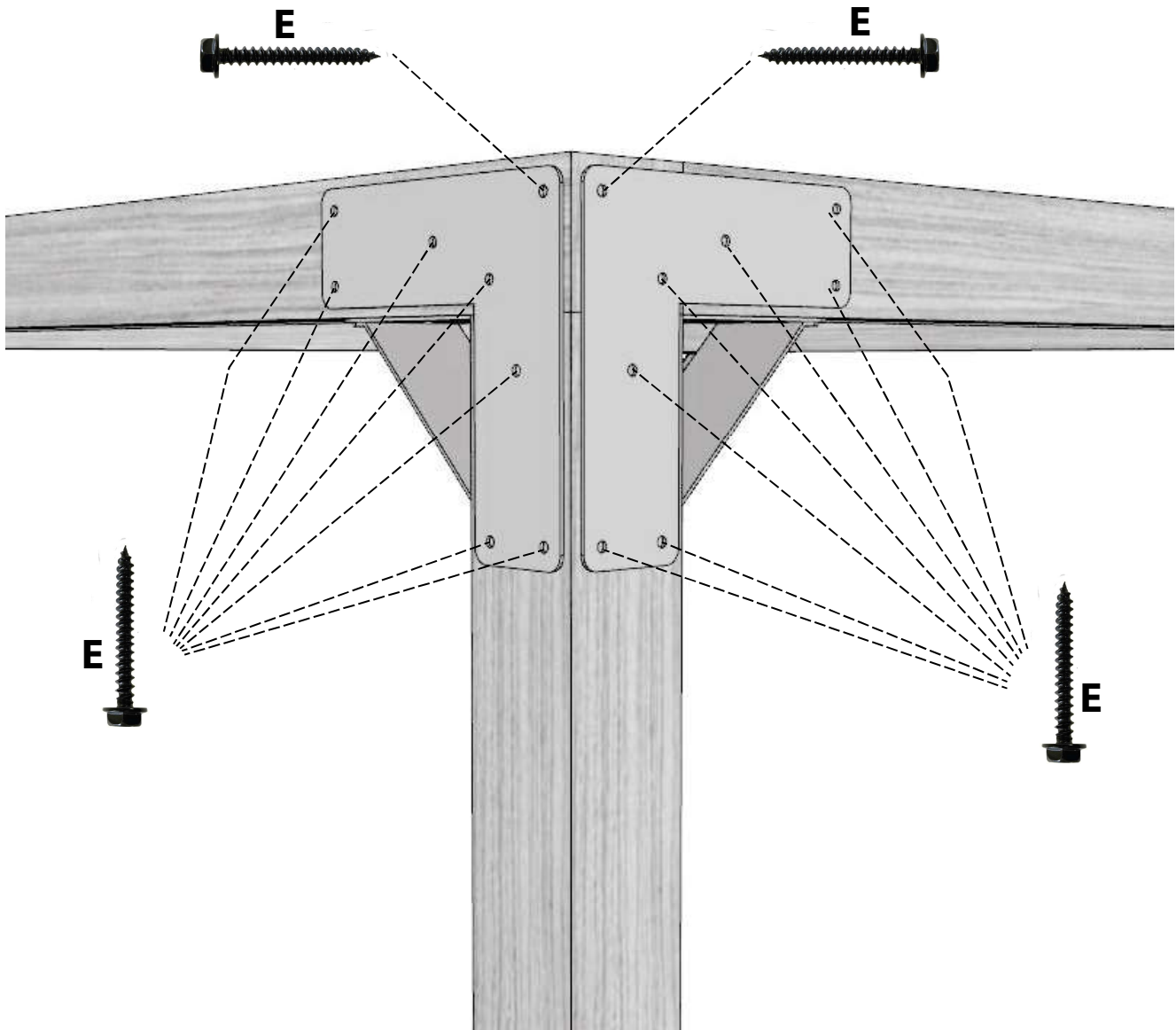
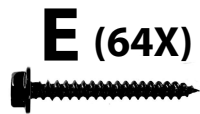
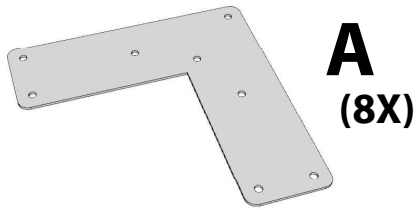
STEP 3 - "B" PART ASSEMBLY



**Do not over
tighten the screws**

**REPEAT THIS STEP
AT EVERY CORNER**

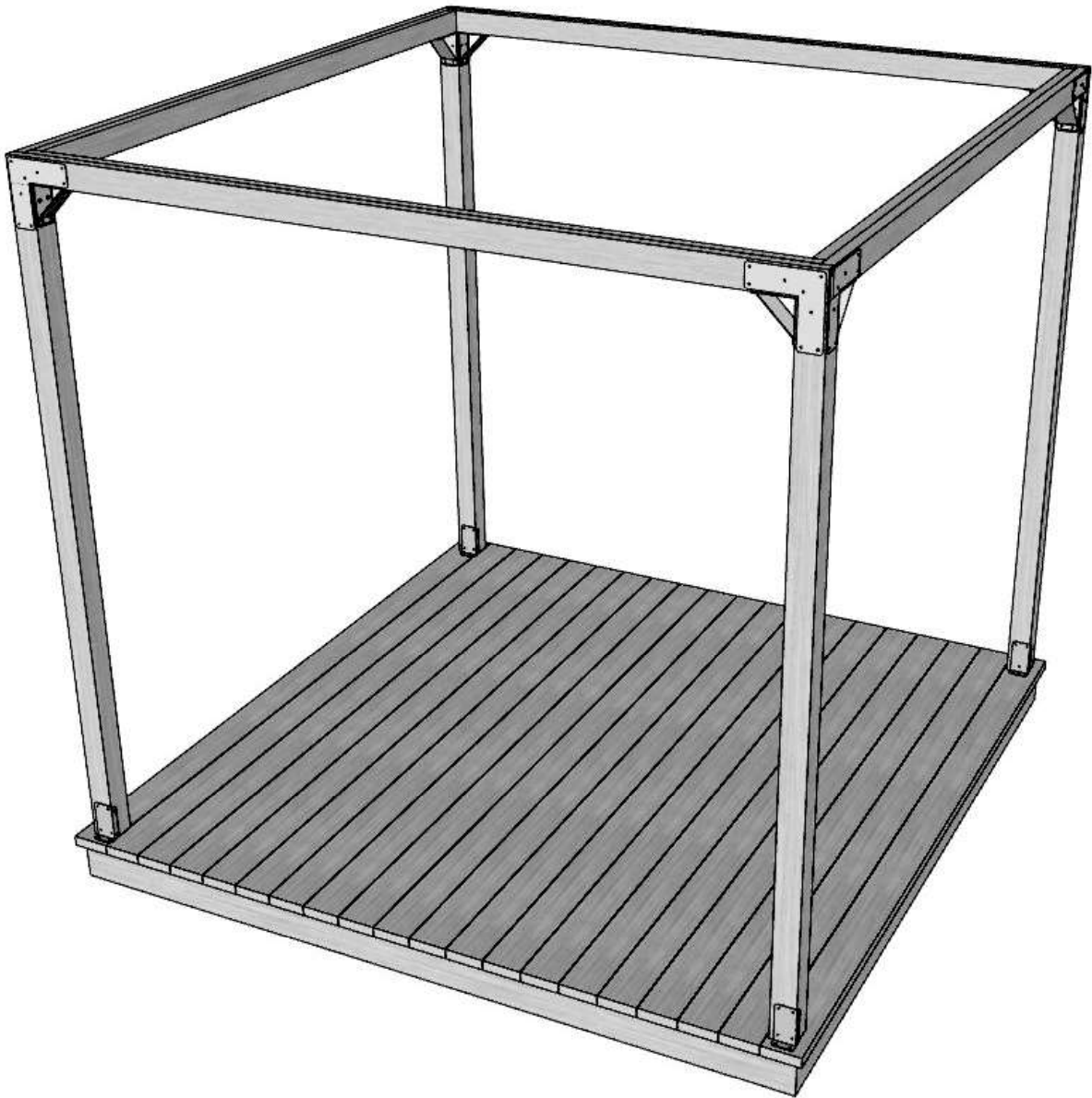
STEP 4 - "C" PART ASSEMBLY



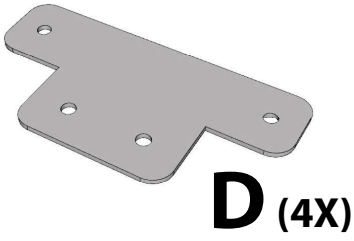
REPEAT THIS STEP AT EVERY CORNER

Do not over tighten the screws

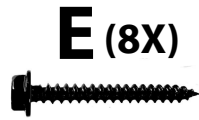
A-B-C PART ASSEMBLY (COMPLETED)



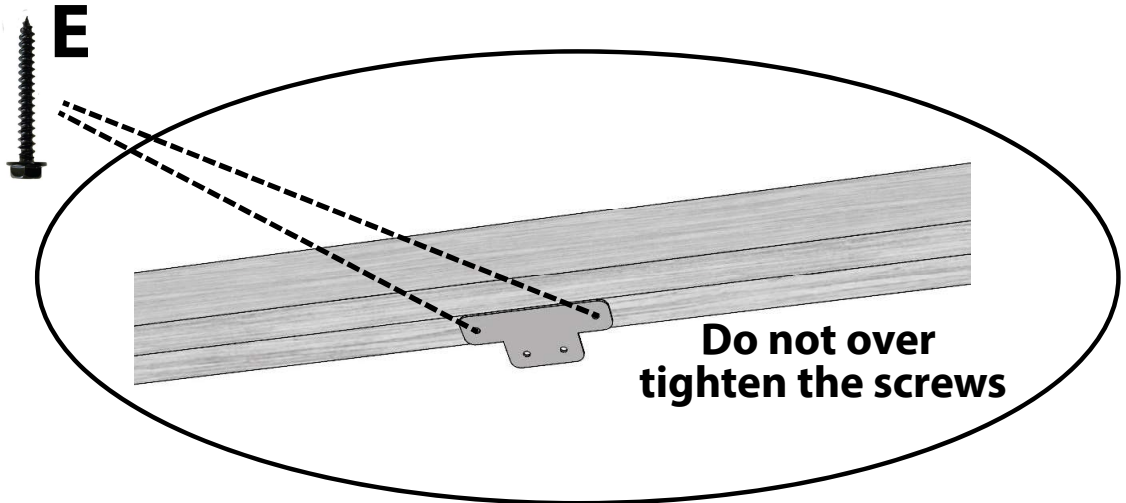
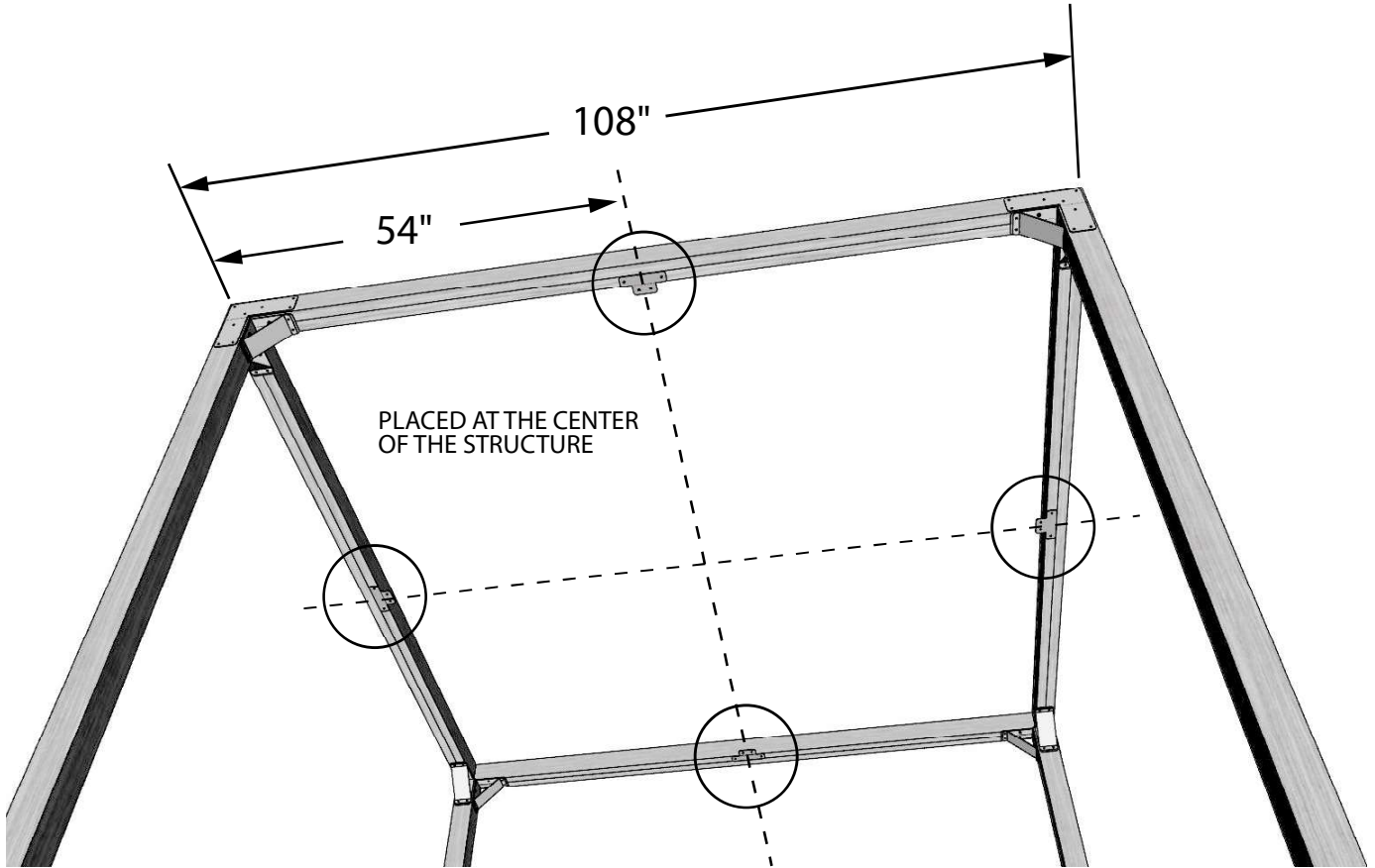
STEP 5 - "D" PART ASSEMBLY



D (4X)



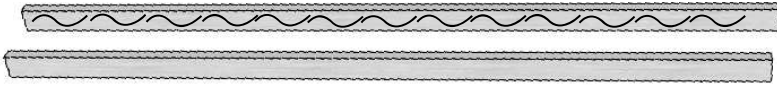
E (8X)



STEP 6 - "D" PART ASSEMBLY - NEXT

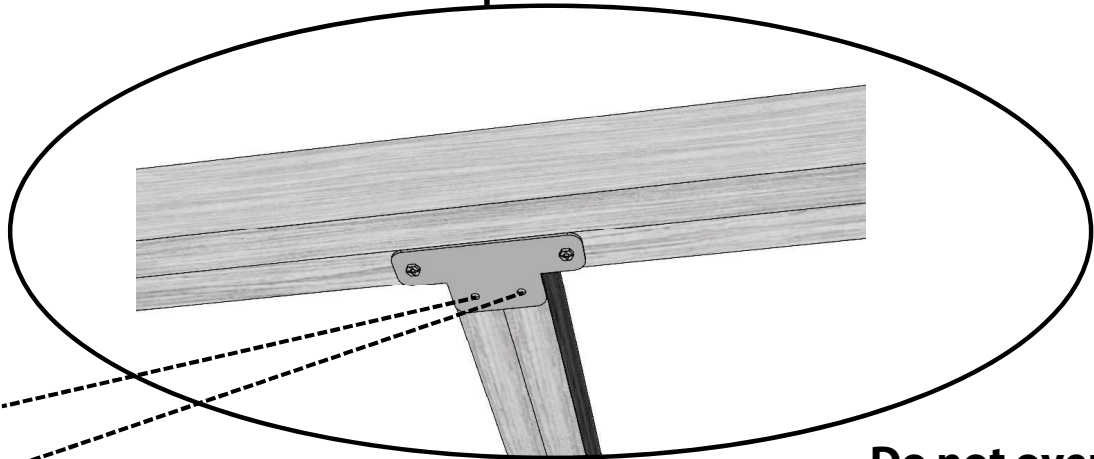
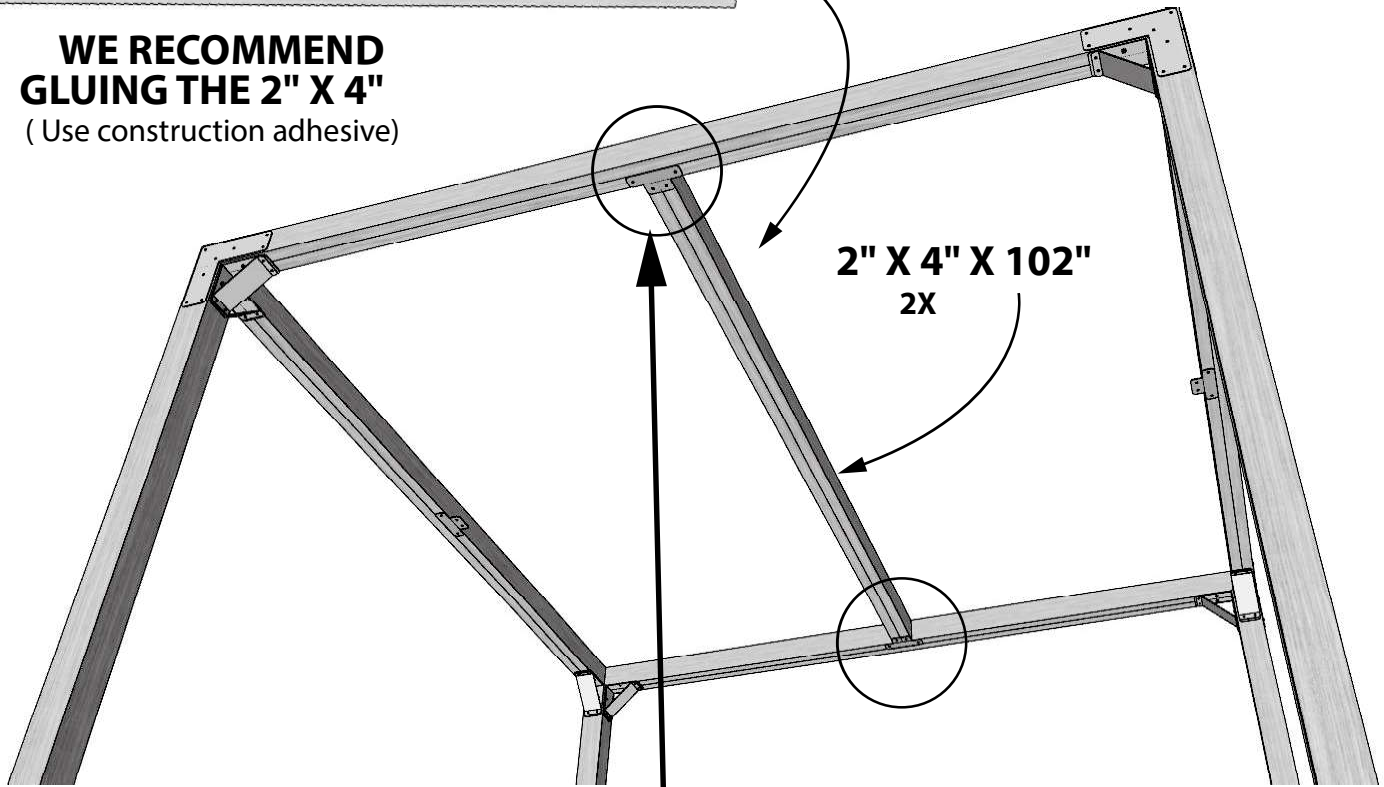


E (4X)



**WE RECOMMEND
GLUING THE 2" X 4"**
(Use construction adhesive)

2" X 4" X 102"
2X

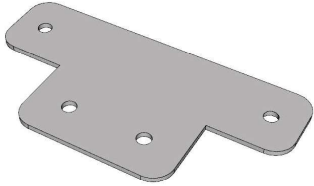


E

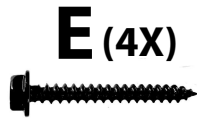


**Do not over
tighten the screws**

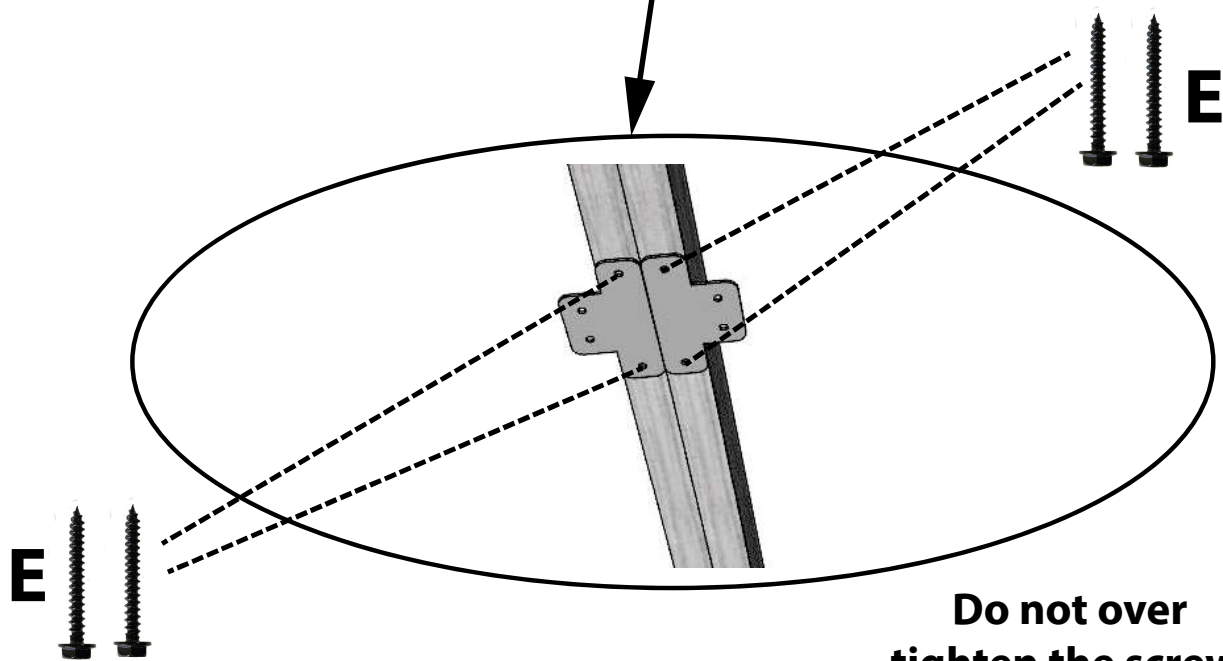
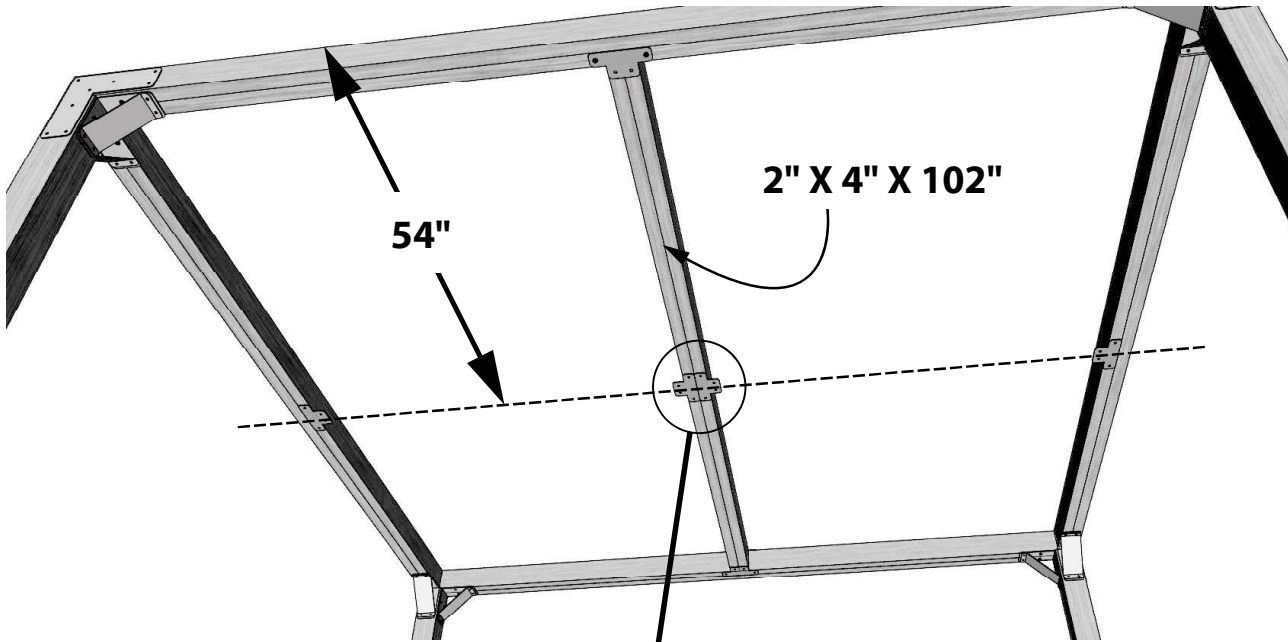
STEP 6 - "D" PART ASSEMBLY - NEXT



D (2X)



E (4X)

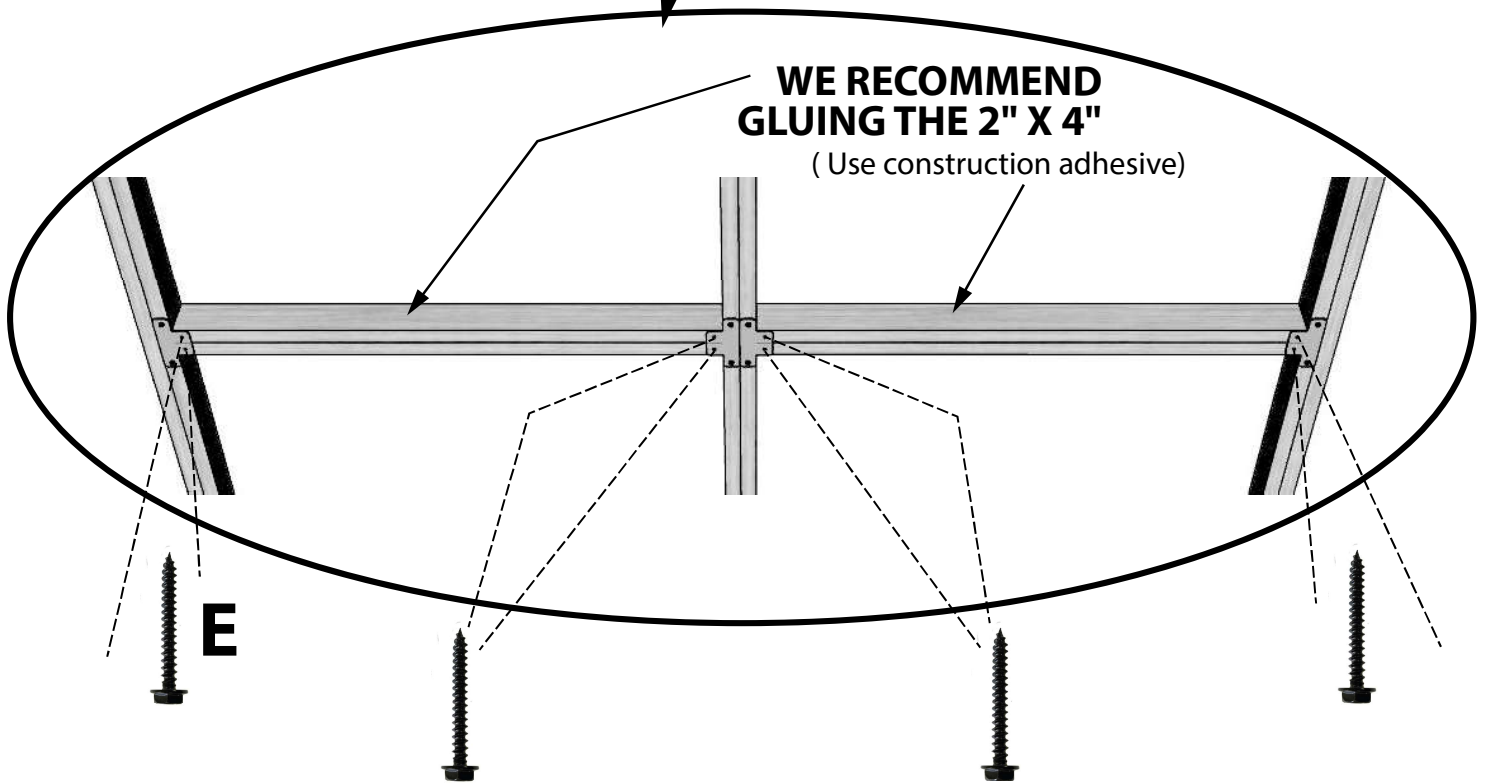
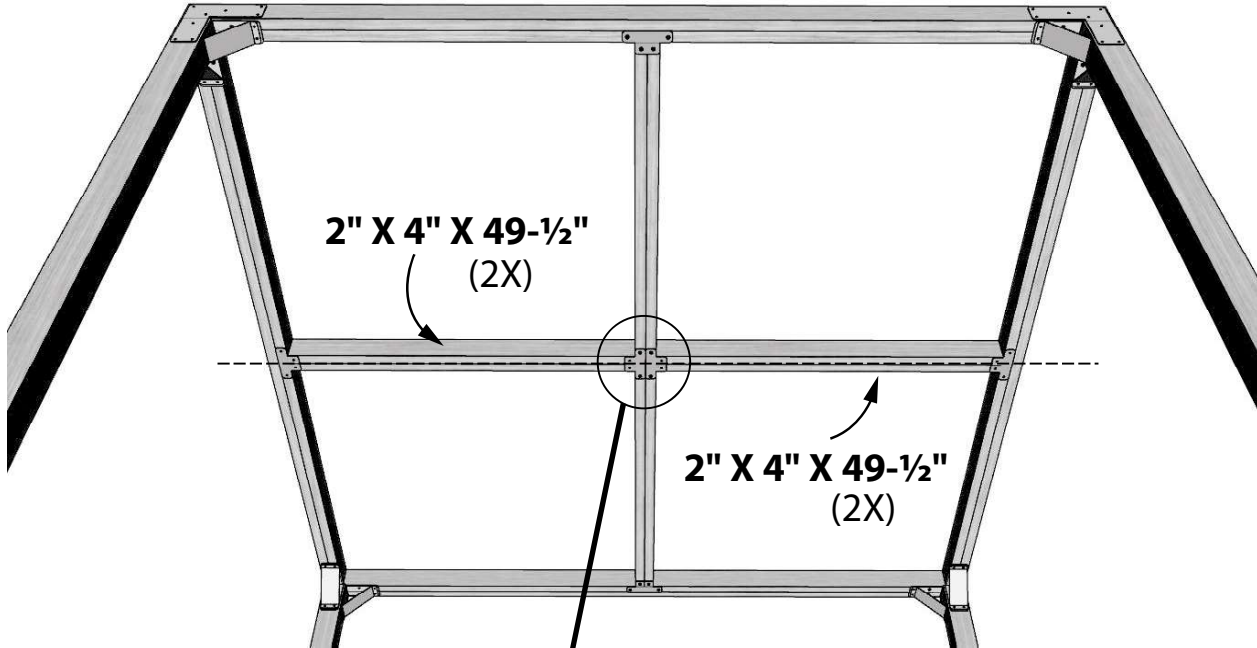


**Do not over
tighten the screws**

STEP 6 - "D" PART ASSEMBLY - NEXT

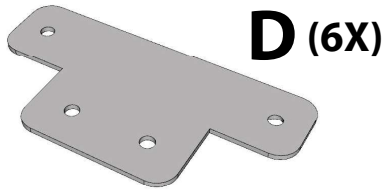


E (8X)

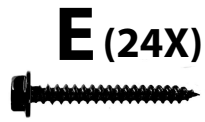


Do not over tighten the screws

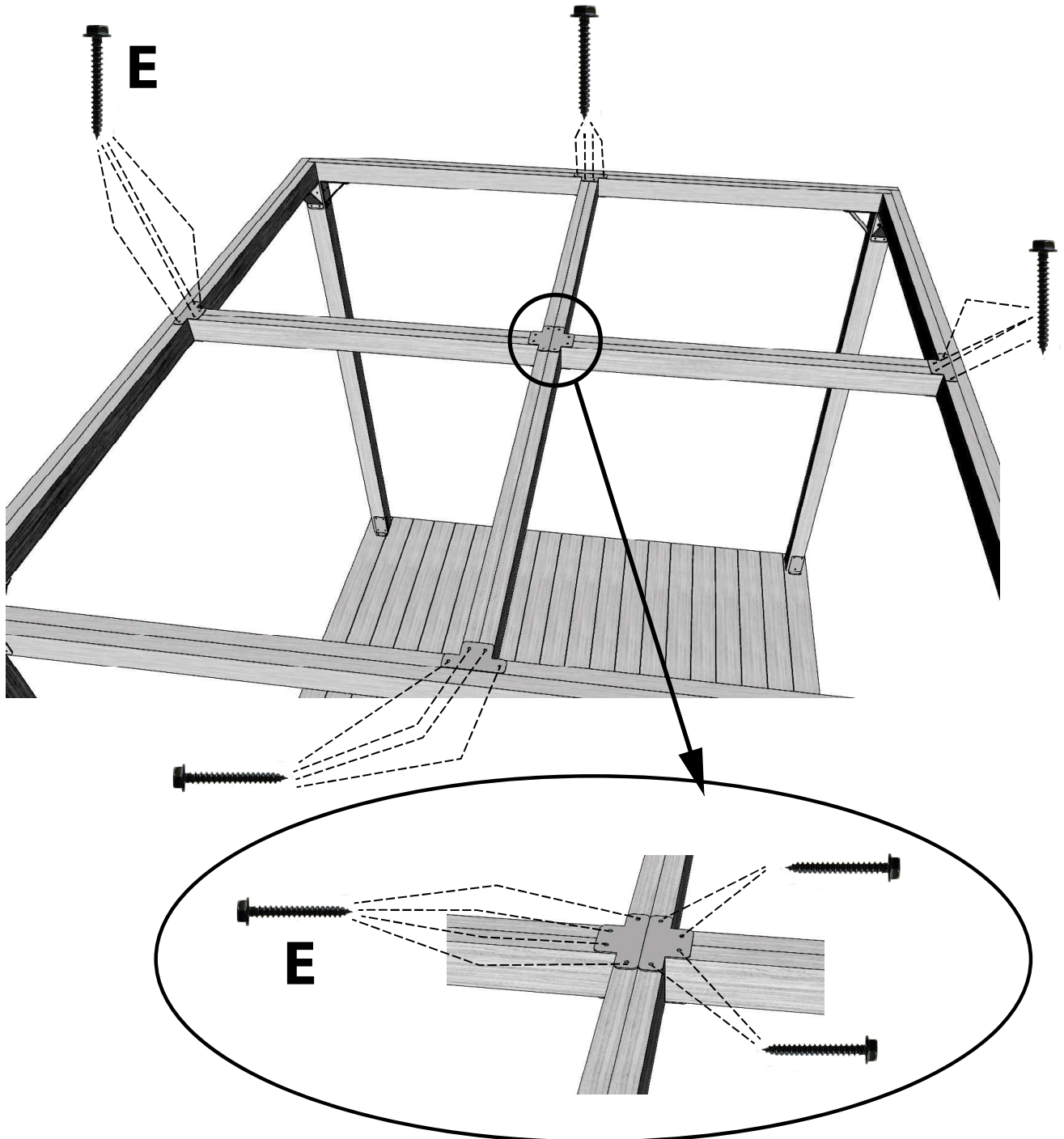
ÉTAPE 6 - "D" PART - NEXT



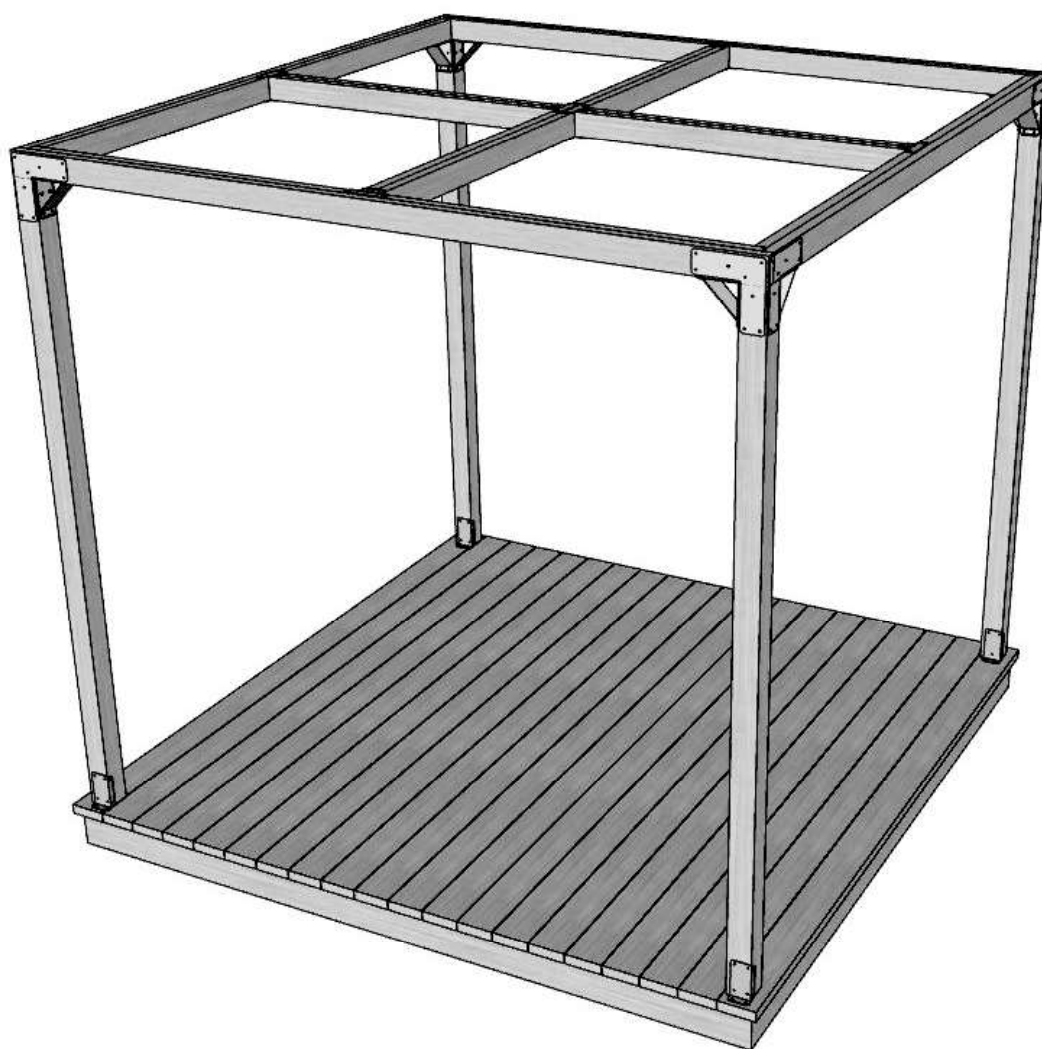
D (6X)



E (24X)

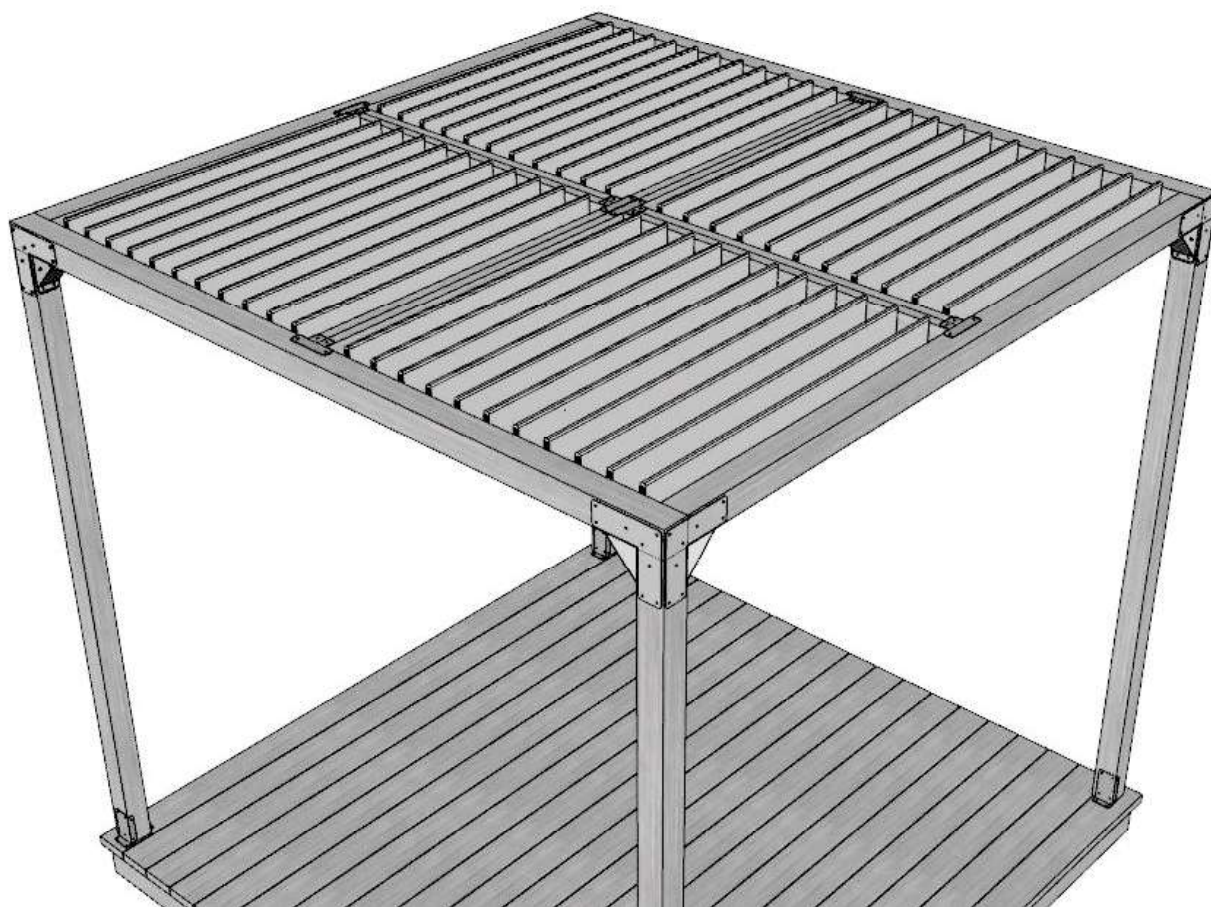


PERGOLA ASSEMBLY - (COMPLETED)



**SUGGESTED ROOF:
PERGOLA HARDWARE SHUTTERS
PRODUCT #12073**

(Sold separately)





RATE US!



Satisfied with your Pylex product?

Please let us know by sharing pictures with us at info@pylex.com

You can also write a review online
about your purchase.

(By sending your image, you agree to give Pylex the right to it in its marketing activities).

Thank you!

YOU LIKED OUR PRODUCT?

Visit our website: www.pylex.com to see all our products
or scan this QR code to have access to our catalog!



Pylex
Guarantee
Certificate



Follow us on:

