

Here is the most recent version of the installation video



Here you have the most recent version of the installation guide



INSTALLATION GUIDE

DECK SUNBLIND SYSTEM - BLACK

11060



Question? - Contact us:

First contact our friendly customer service team for assistance.

Email: info@pylex.com or call: 1-800-264-1881

Monday to Friday: 8:30am to 4:30pm UTC

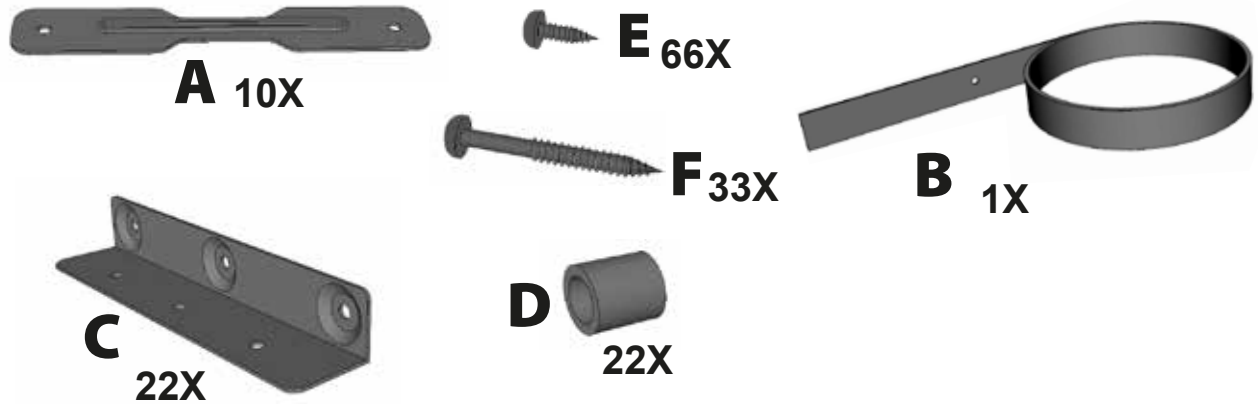
Replacement for damaged or missing parts will be shipped promptly.

Rev.: 32-0614

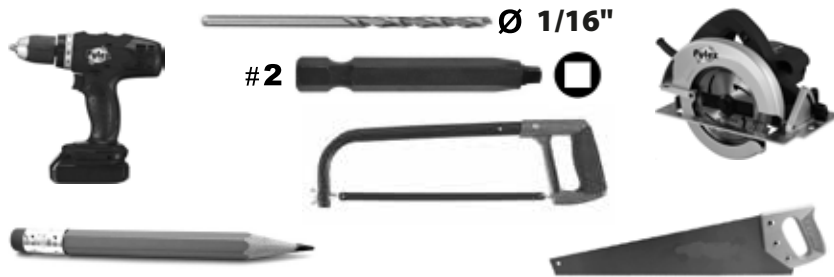


DECK AND FENCE HARDWARE
WWW.PYLEX.COM / 1 800-264-1881

PARTS LIST



TOOLS REQUIRED

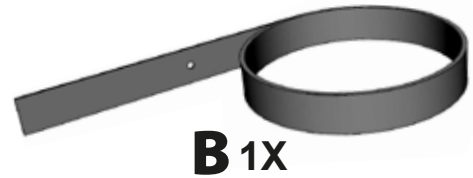


for a 2" x 6" / 6" x 6" structure

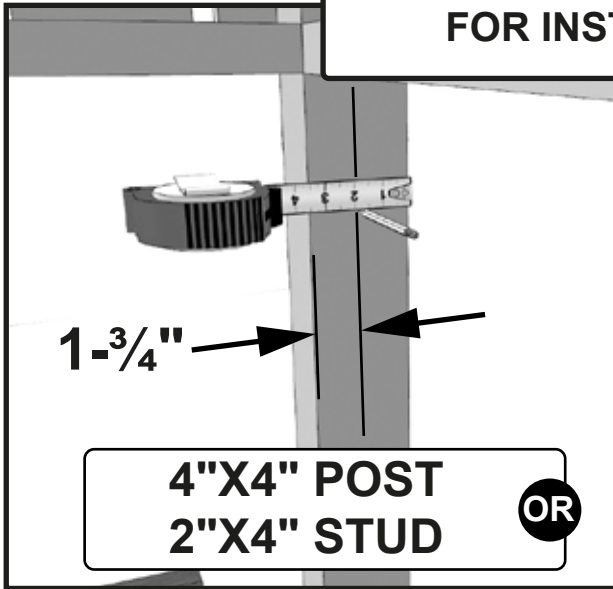


NUMBER OF BOARDS	REQUIRED OPENING
REQUIRES 1 BOX	2 10" 254 mm
	3 14- ⁵ / ₁₆ " 364 mm
	4 18- ¹¹ / ₁₆ " 474 mm
	5 23" 584 mm
	6 27- ⁵ / ₁₆ " 694 mm
	7 31- ¹¹ / ₁₆ " 804 mm
	8 36" 914 mm
	9 40- ⁵ / ₁₆ " 1024 mm
	10 44- ⁵ / ₈ " 1134 mm
	11 49" 1244 mm
	REQUIRES 2 BOXES
13 57- ⁵ / ₈ " 1464 mm	
14 62" 1574 mm	
15 66- ⁵ / ₁₆ " 1684 mm	
16 70- ⁵ / ₈ " 1794 mm	
17 75" 1904 mm	
18 79- ⁵ / ₁₆ " 2014 mm	

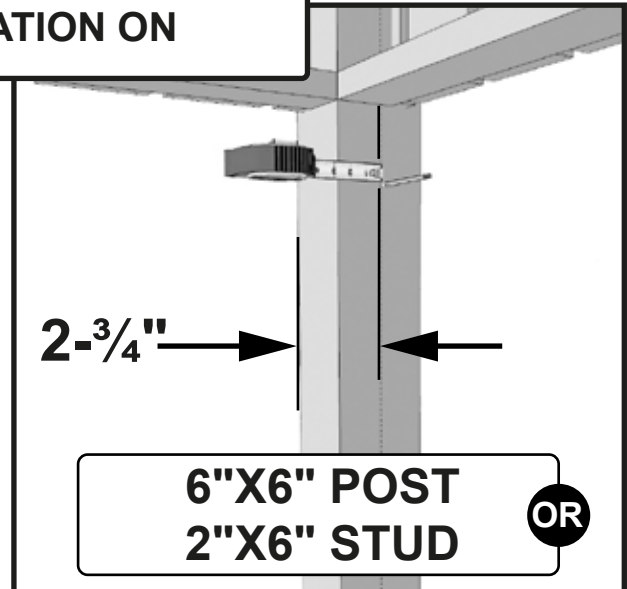
STEP 1 - MEASUREMENTS



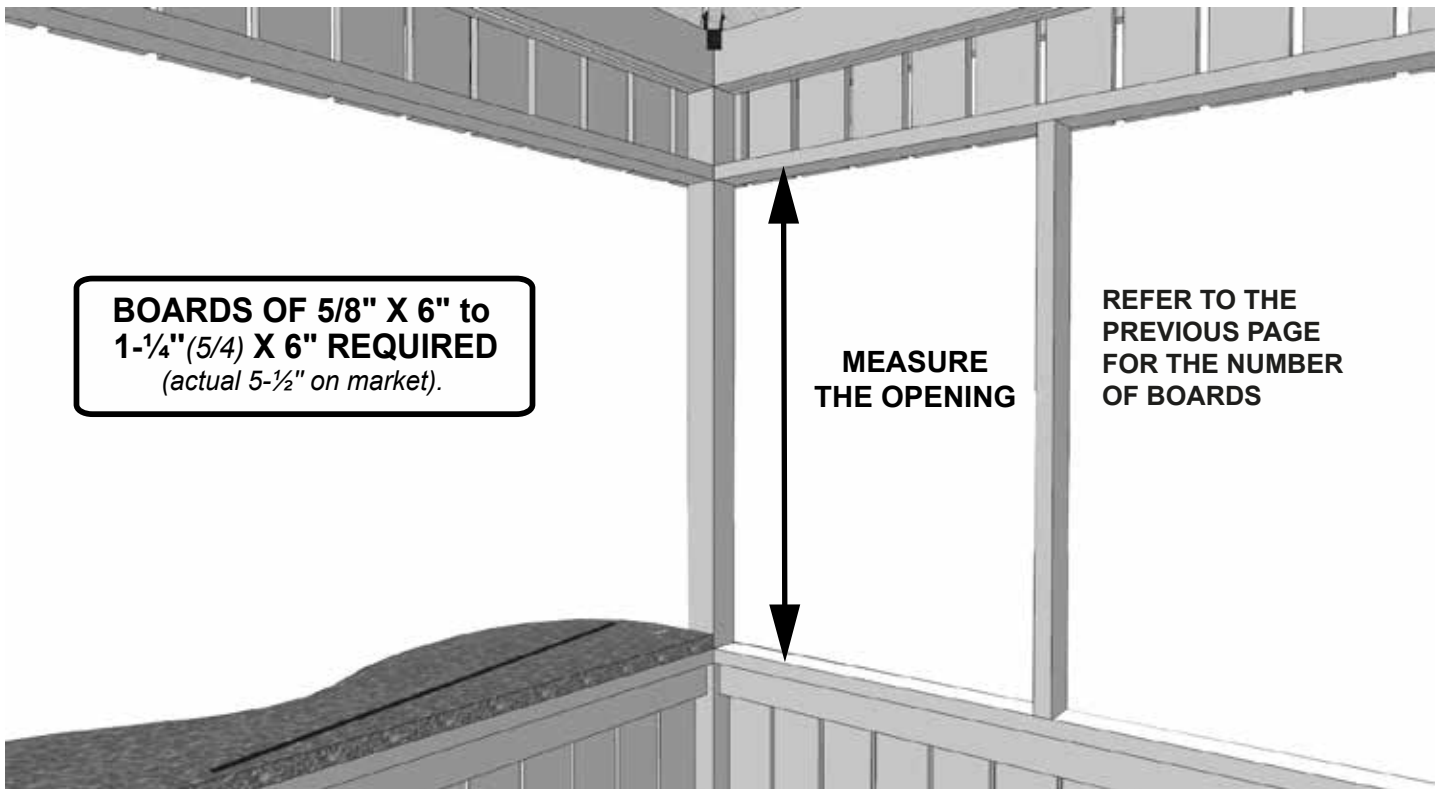
FOR INSTALLATION ON



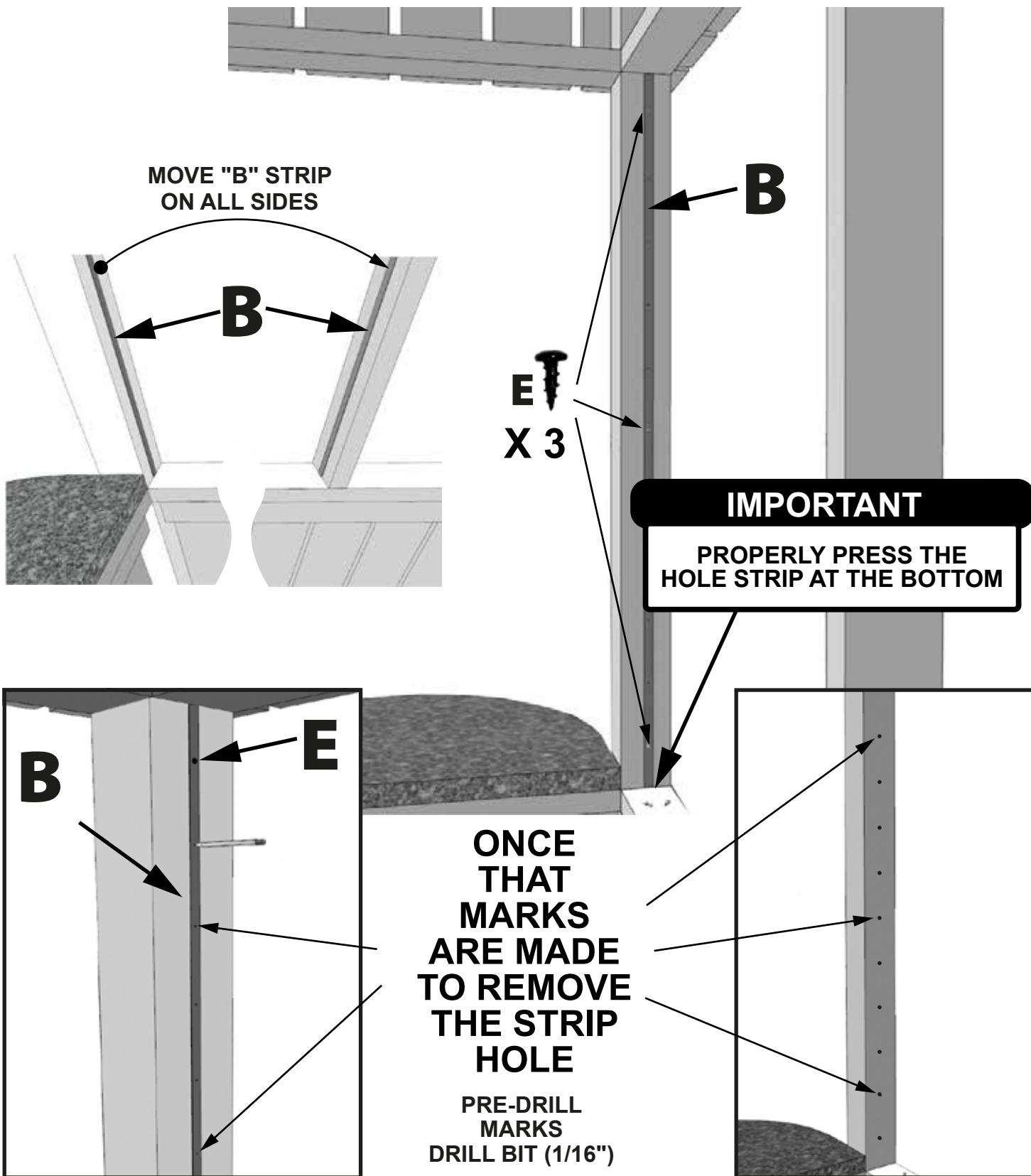
Go to page 4



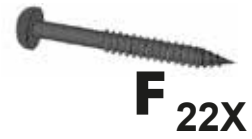
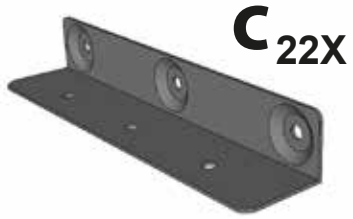
Go to page 11



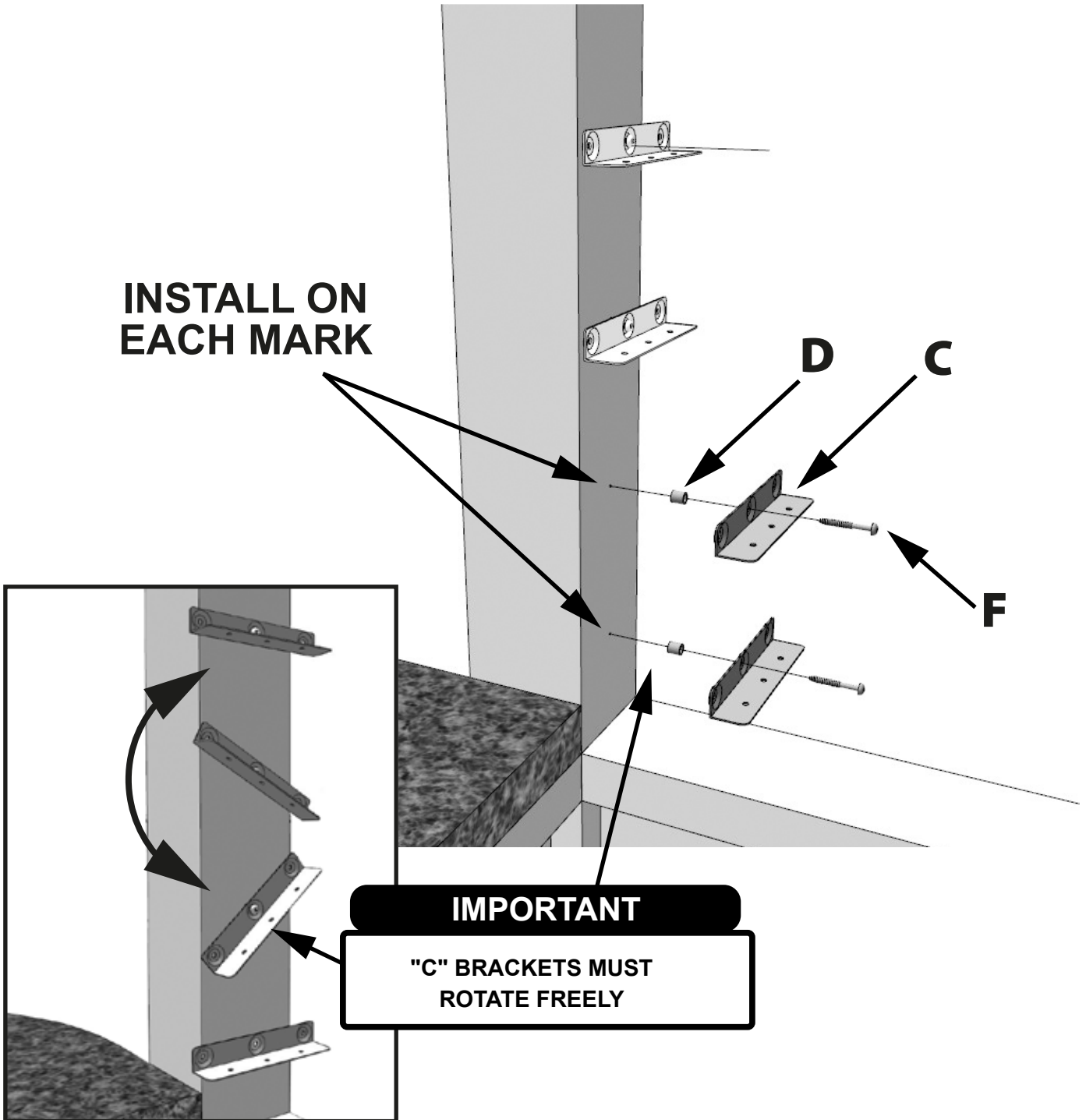
STEP 2 - HOLE POSITION STRIP



STEP 3 - INSTALLING "C" AND "D" PARTS

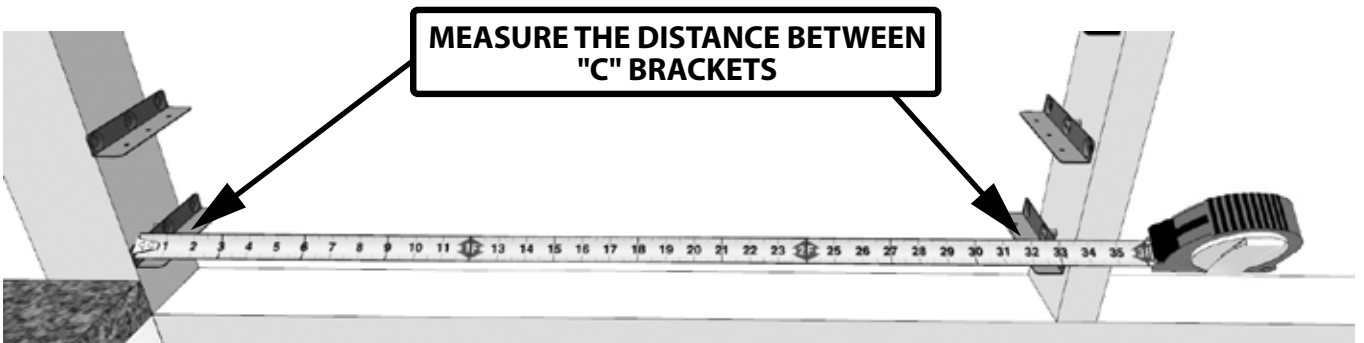
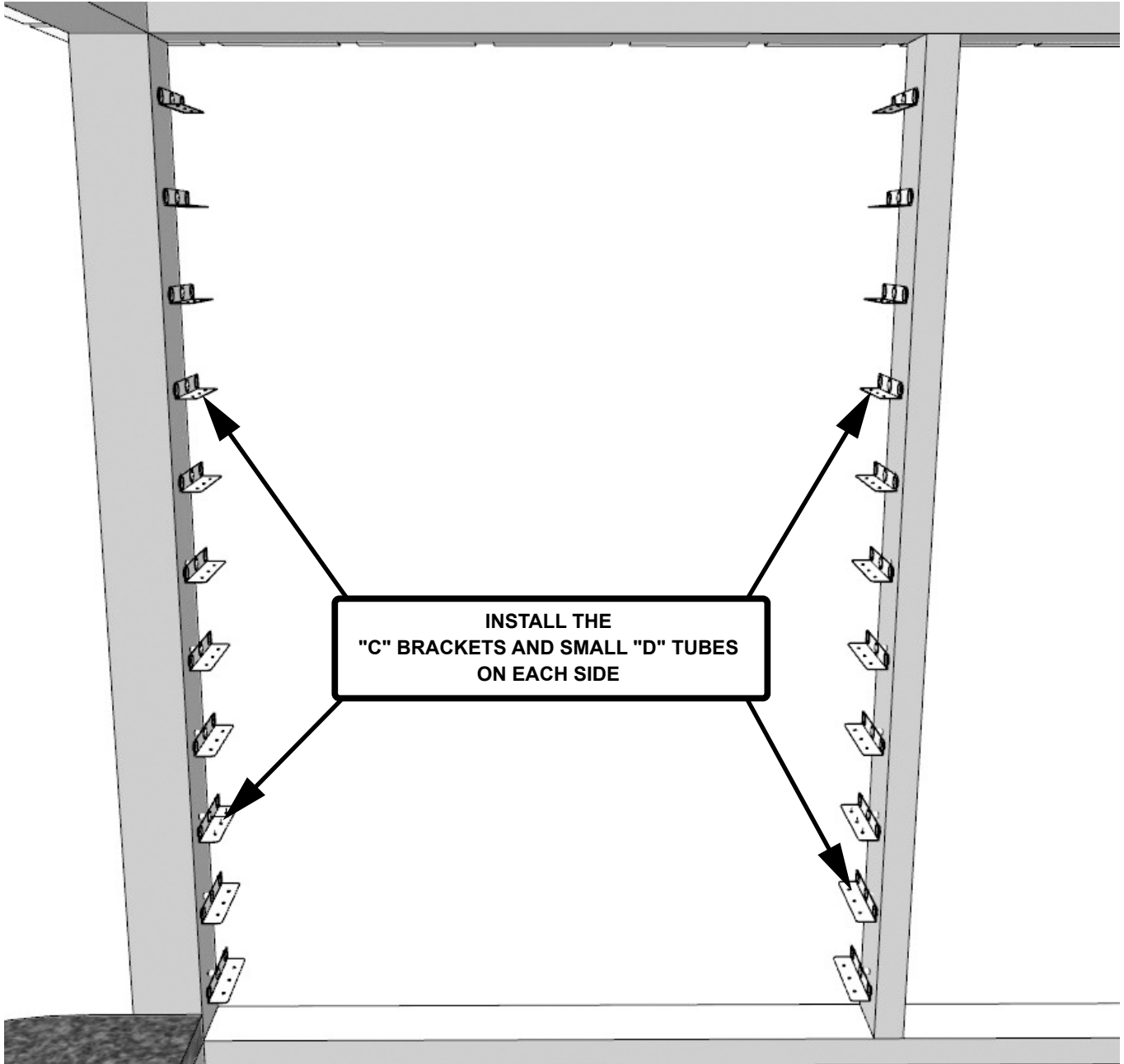


INSTALL ON EACH MARK



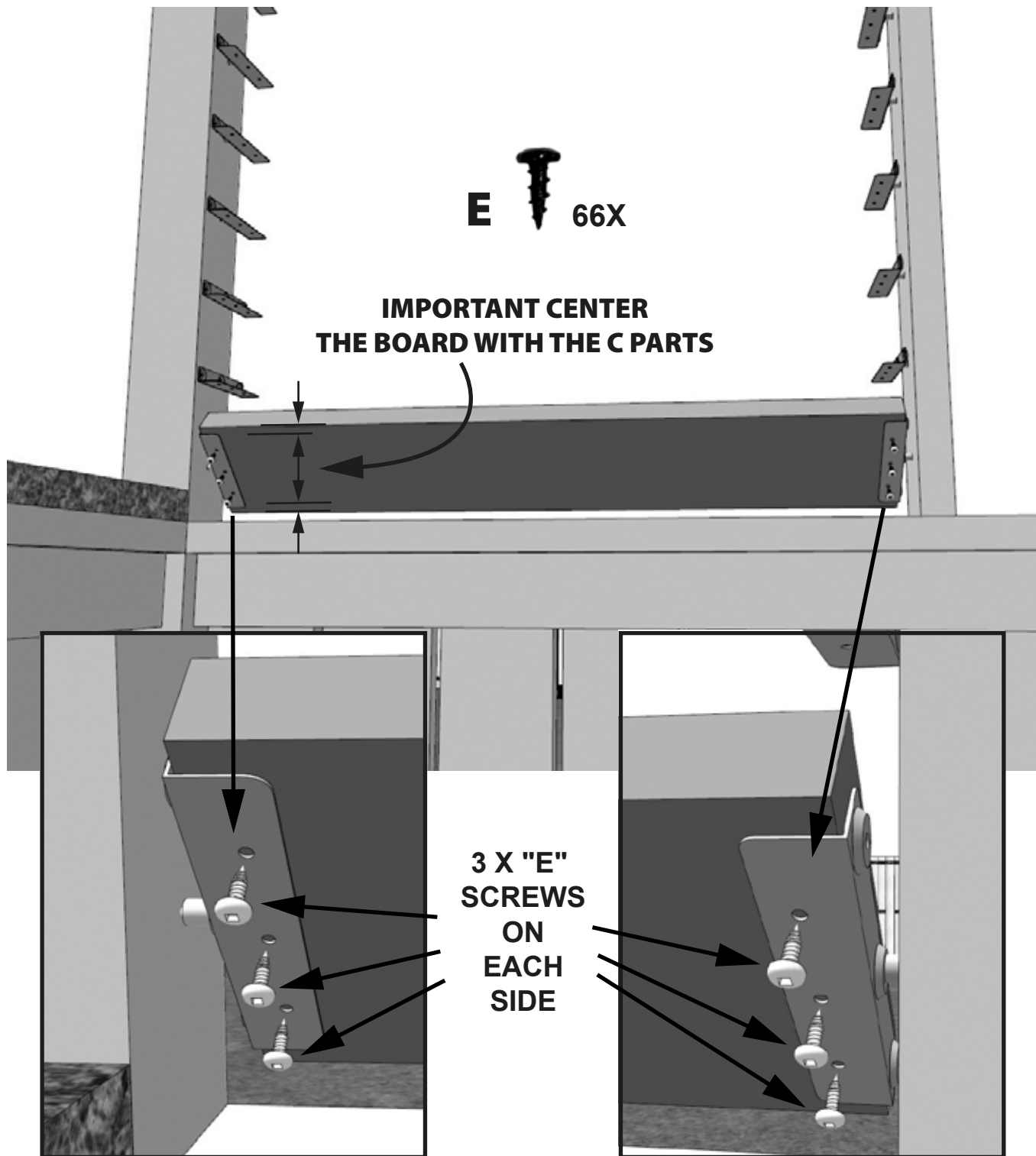
IMPORTANT

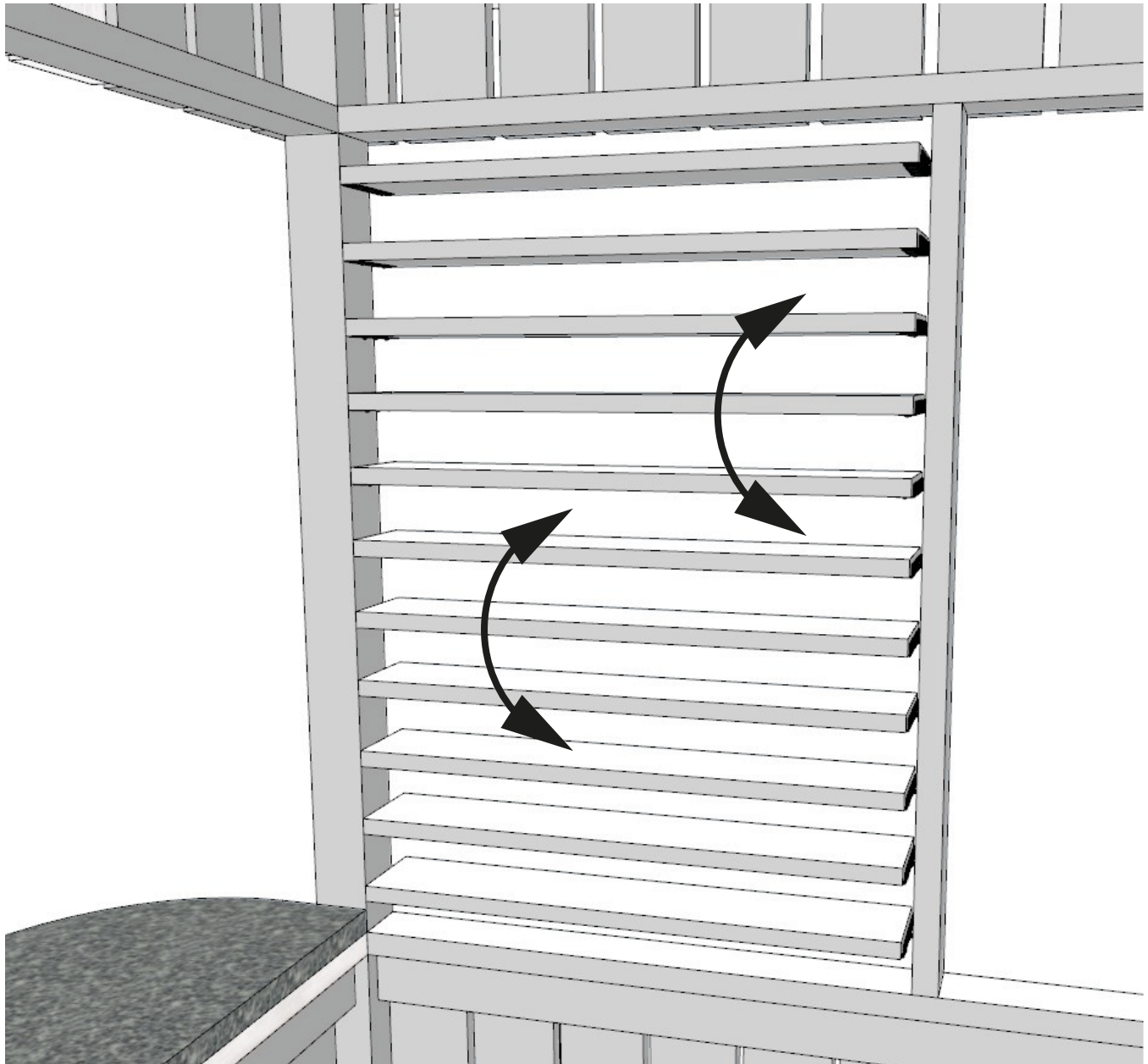
"C" BRACKETS MUST ROTATE FREELY



(Repeat this step for each board, it is possible that the boards are not all exactly the same length)

STEP 4 - INSTALLING THE BOARDS





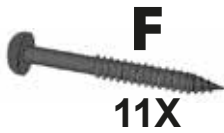
IMPORTANT

**BOARDS MUST
ROTATE FREELY**

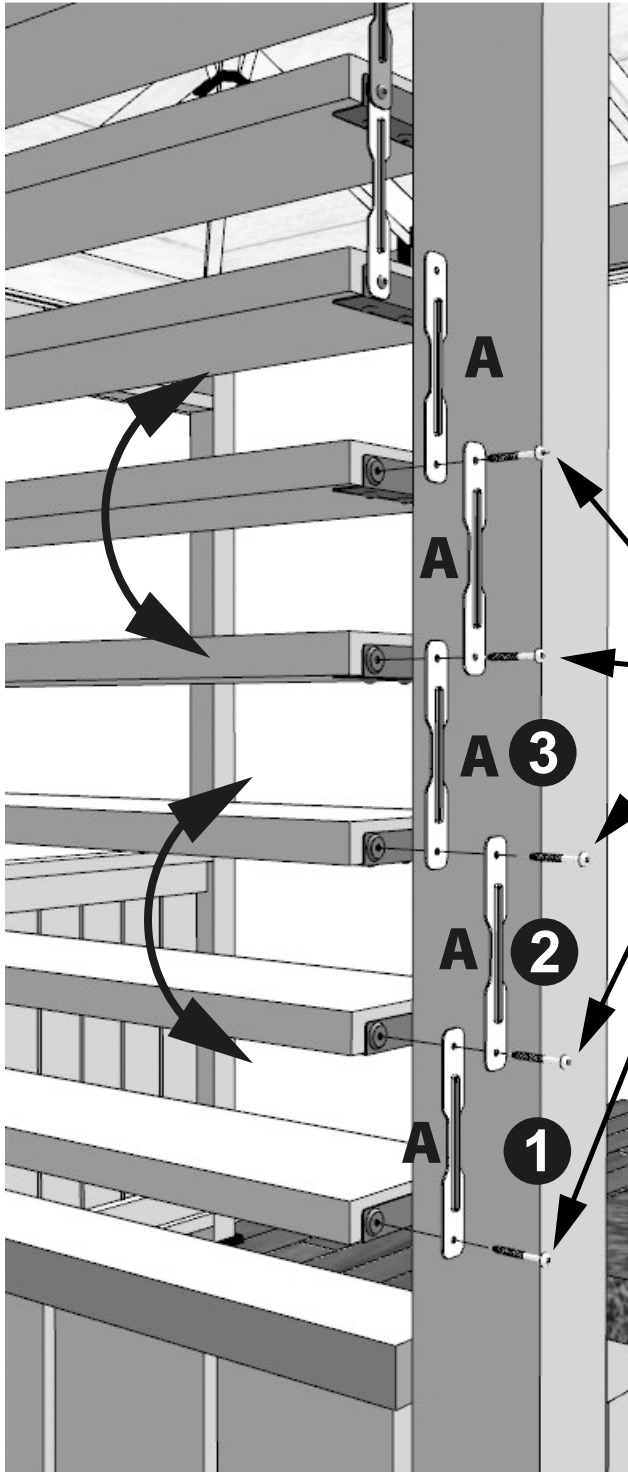
STEP 5 - INSTALLING "A" PARTS



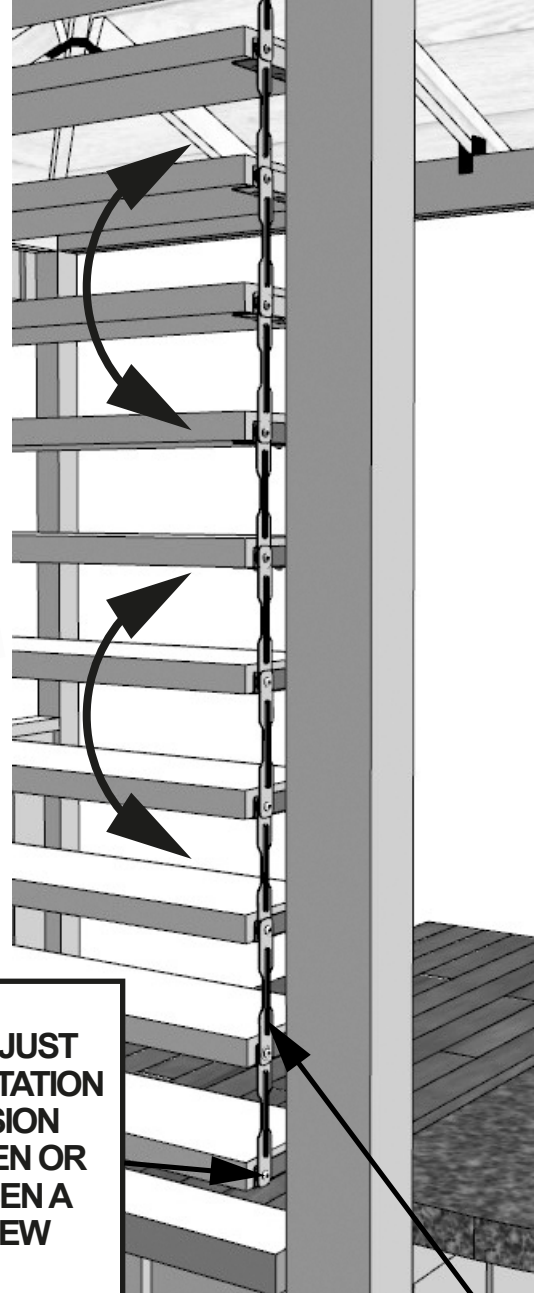
A_{10X}



F
11X



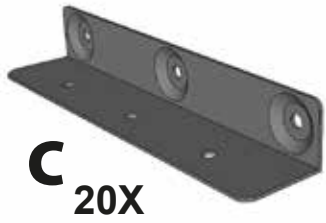
IMPORTANT
BOARDS MUST ROTATE FREELY



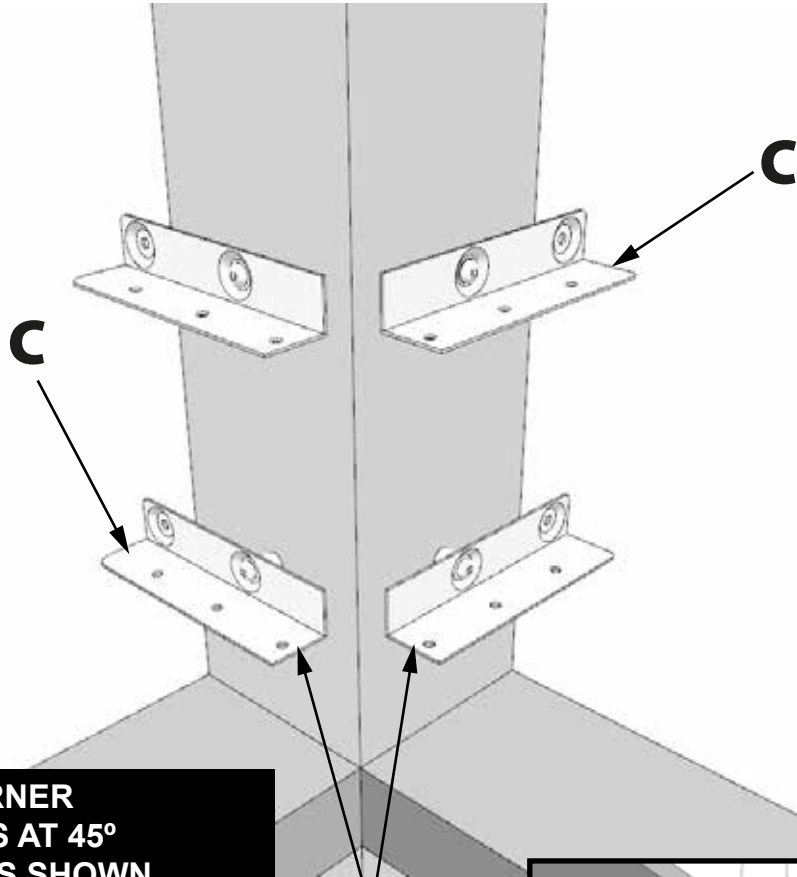
TO ADJUST THE ROTATION TENSION TIGHTEN OR LOOSEN A SCREW

"A" PARTS ONLY FIT ON ONE SIDE.

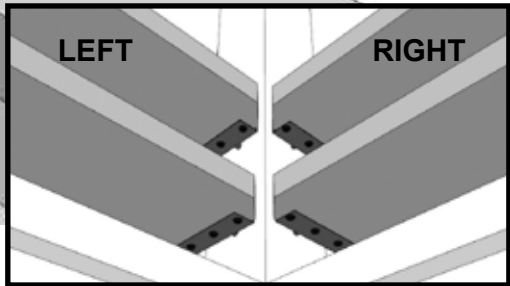
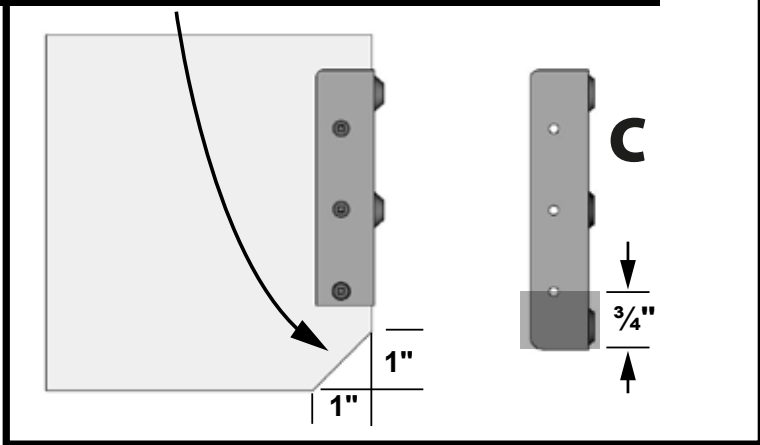
STEP 6 - INSTALLATION ON A 4" X 4" (CORNER)



4" X 4" POST ONLY

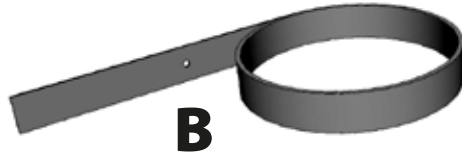


CUT THE CORNER OF THE BOARDS AT 45° AND BRACKETS AS SHOWN

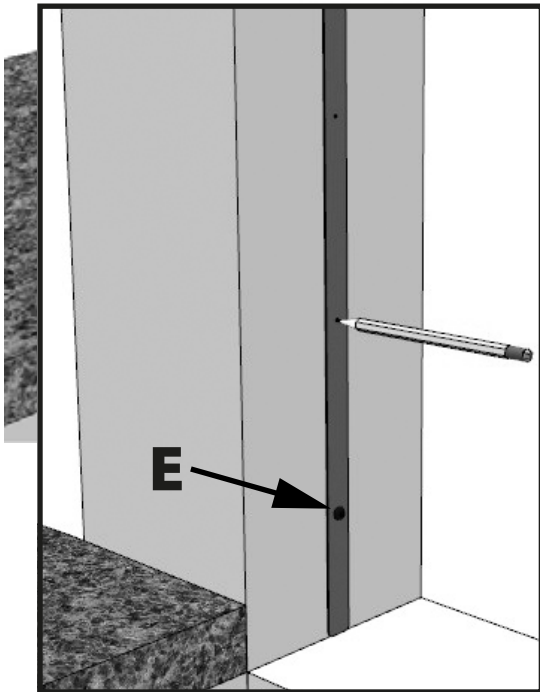


CUT THE 3/4" METAL BRACKETS

STEP 1 - INSTALLATION ON A 6" X 6"

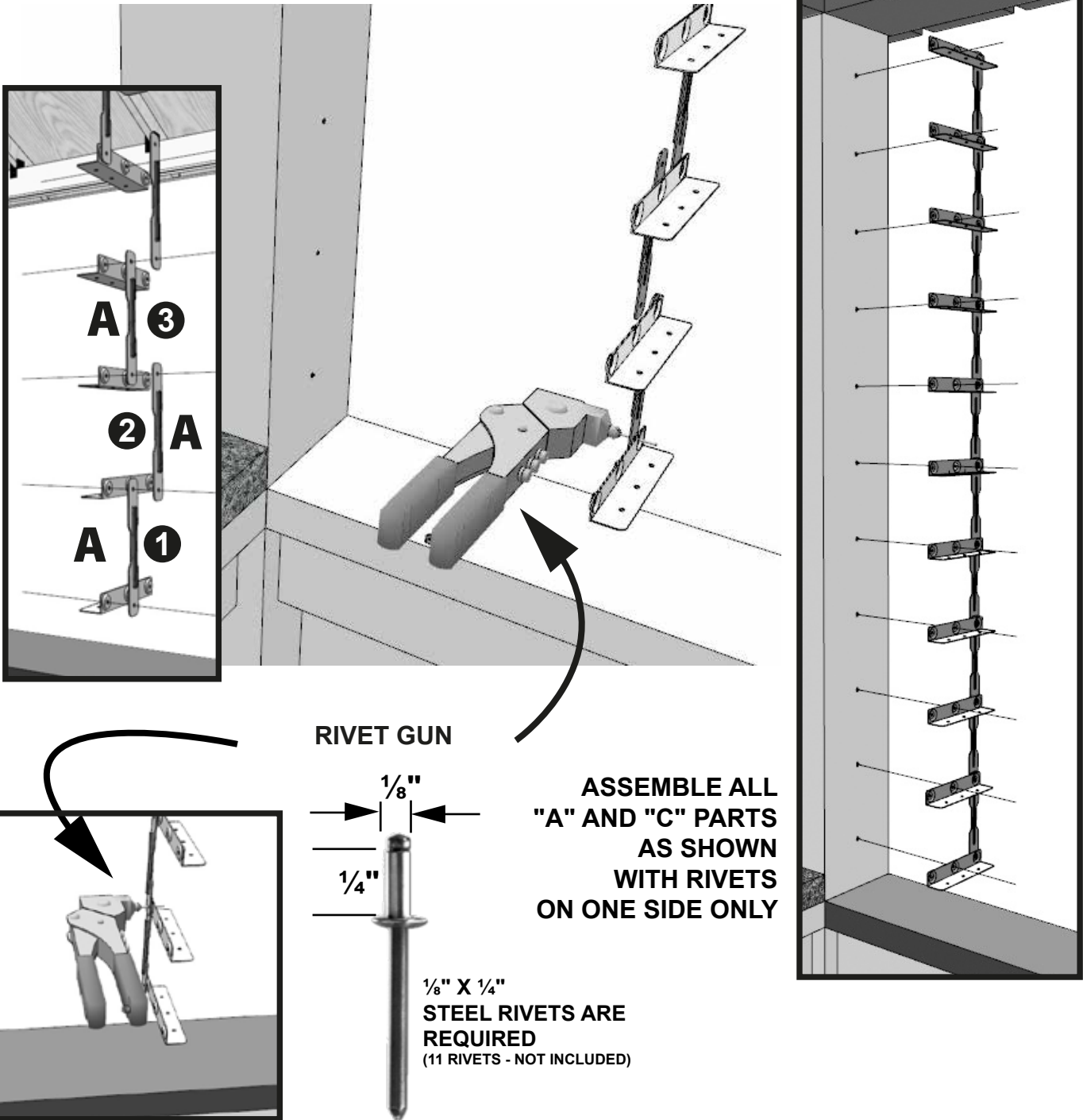
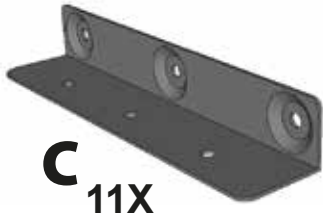


6" X 6" POST

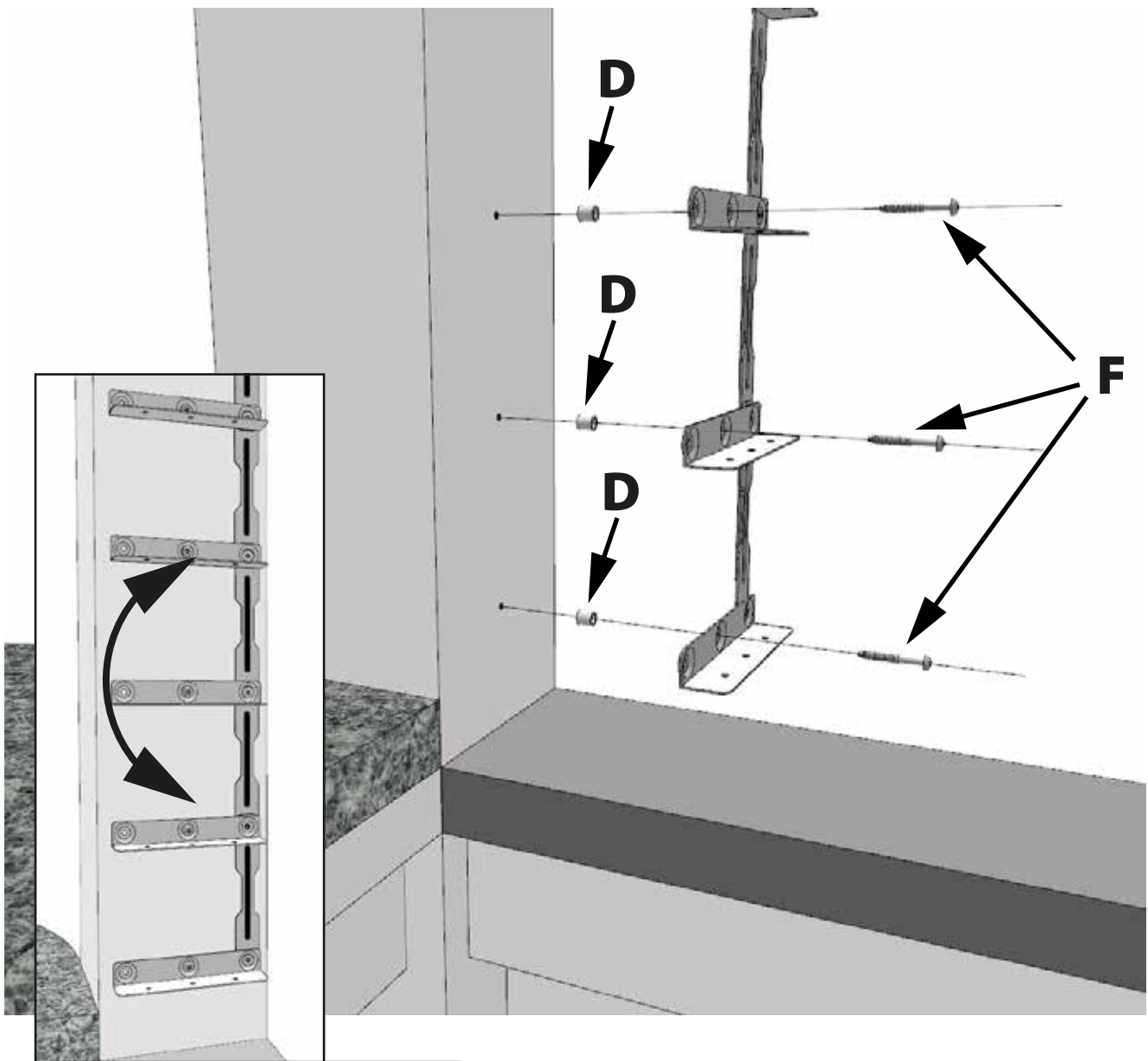


MARK EACH HOLE

STEP 2 - RIVET INSTALLATION



STEP 3 - NEXT

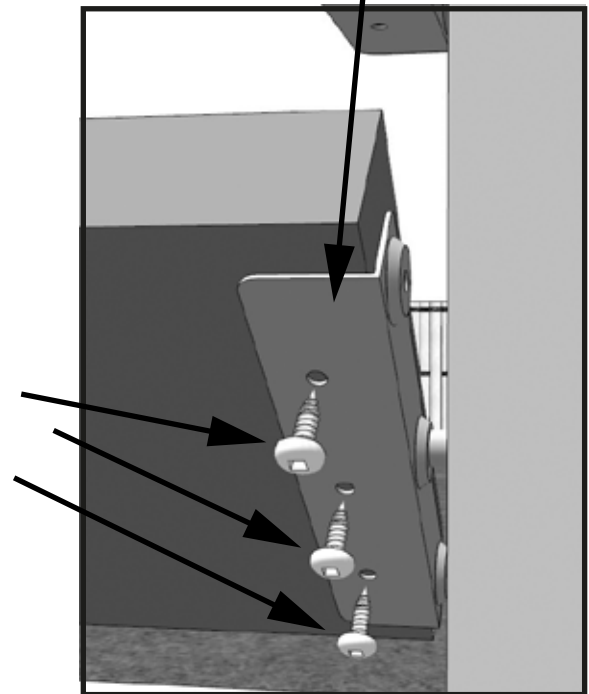
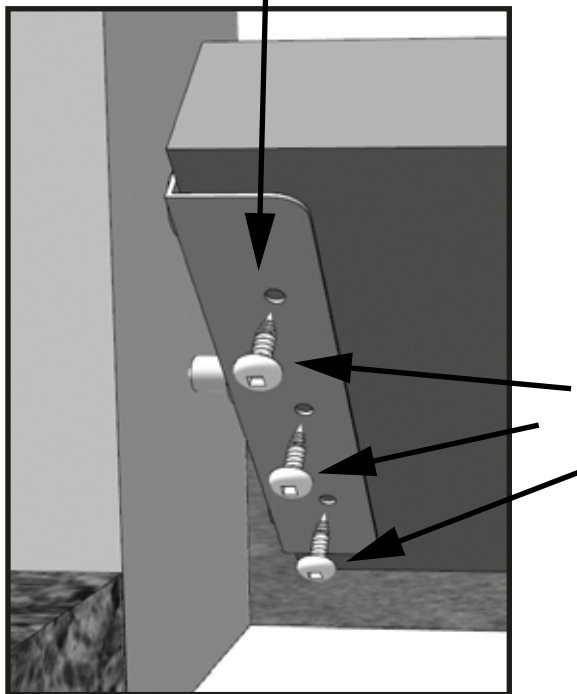
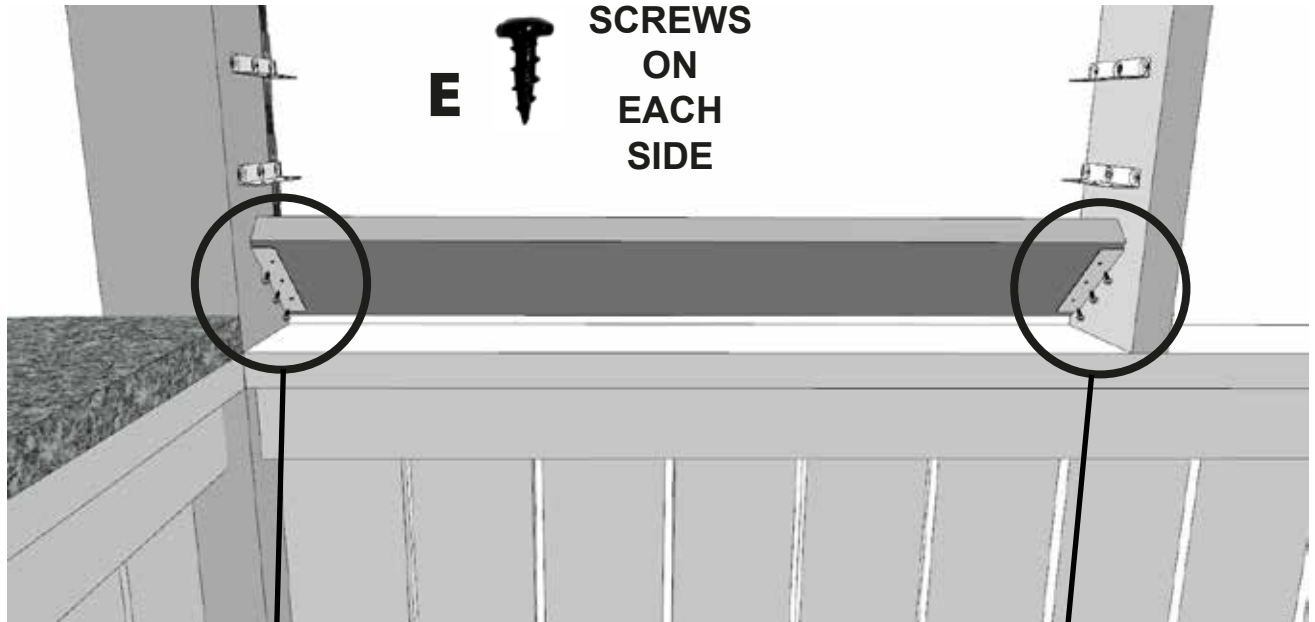


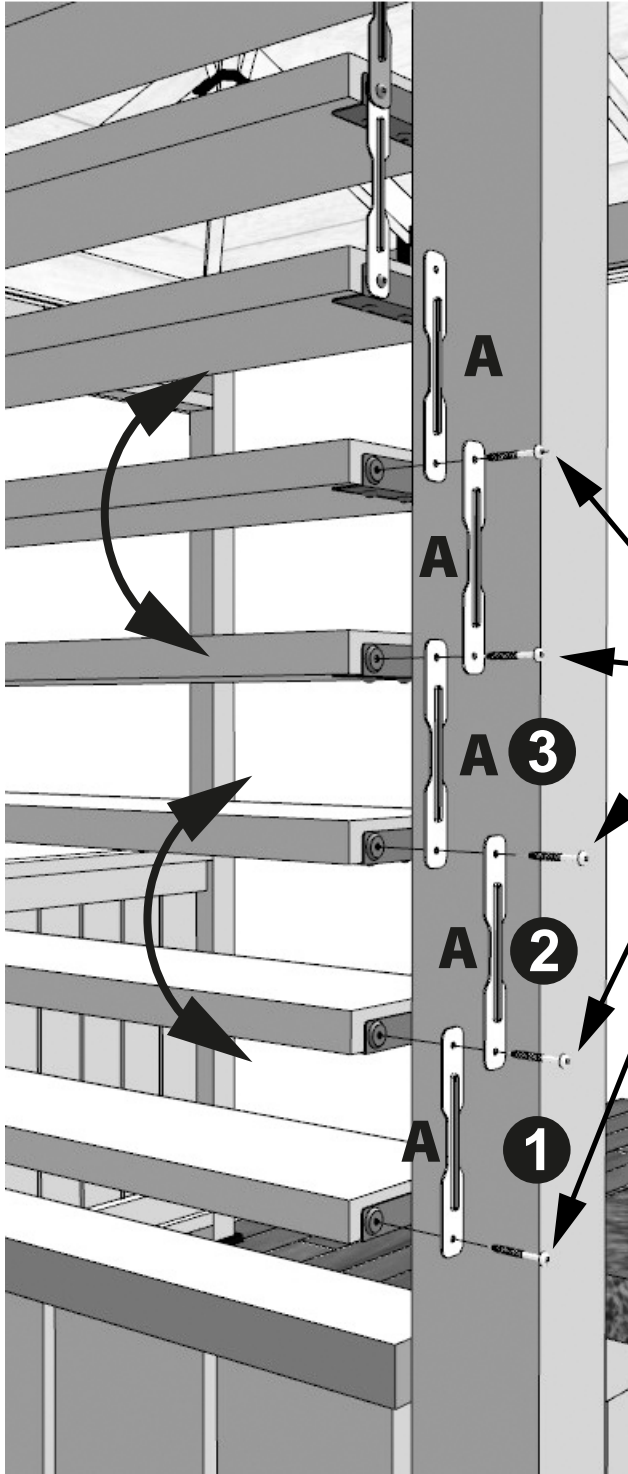
IMPORTANT
"C" BRACKETS MUST
ROTATE FREELY

STEP 4 - INSTALLATION THE BOARDS

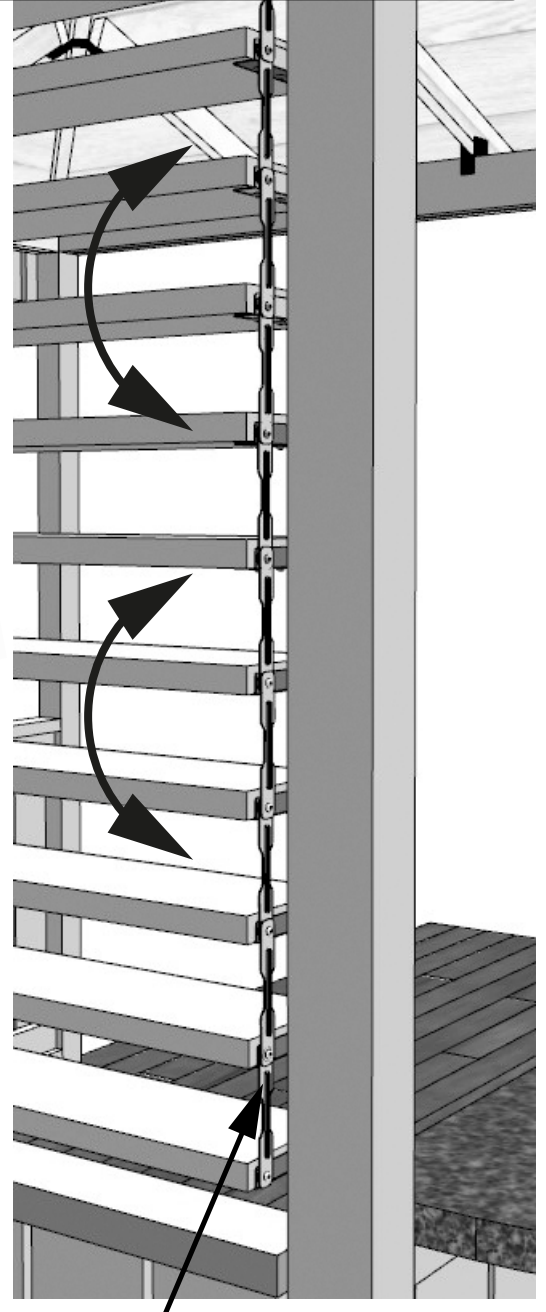


3 X "E"
SCREWS
ON
EACH
SIDE





IMPORTANT
BOARDS MUST ROTATE FREELY





RATE US!



Satisfied with your Pylex product?

Please let us know by sharing pictures with us at info@pylex.com
You can also write a review online
about your purchase.

(By sending your image, you agree to give Pylex the right to it in its marketing activities).

Thank you!

YOU LIKED OUR PRODUCT?

Visit our website: www.pylex.com to see all our products
or scan this QR code to have access to our catalog!



Pylex Guarantee Certificate



Follow us on:

