

Here is the most recent version of the installation video



INSTALLATION GUIDE

CLOTHESLINE POST

10736



Here you have the most recent version of the installation guide



Question? - Contact us:

First contact our friendly customer service team for assistance.

Email: info@pylex.com or call: 1-800-264-1881

Monday to Friday: 8:30am to 4:30pm UTC

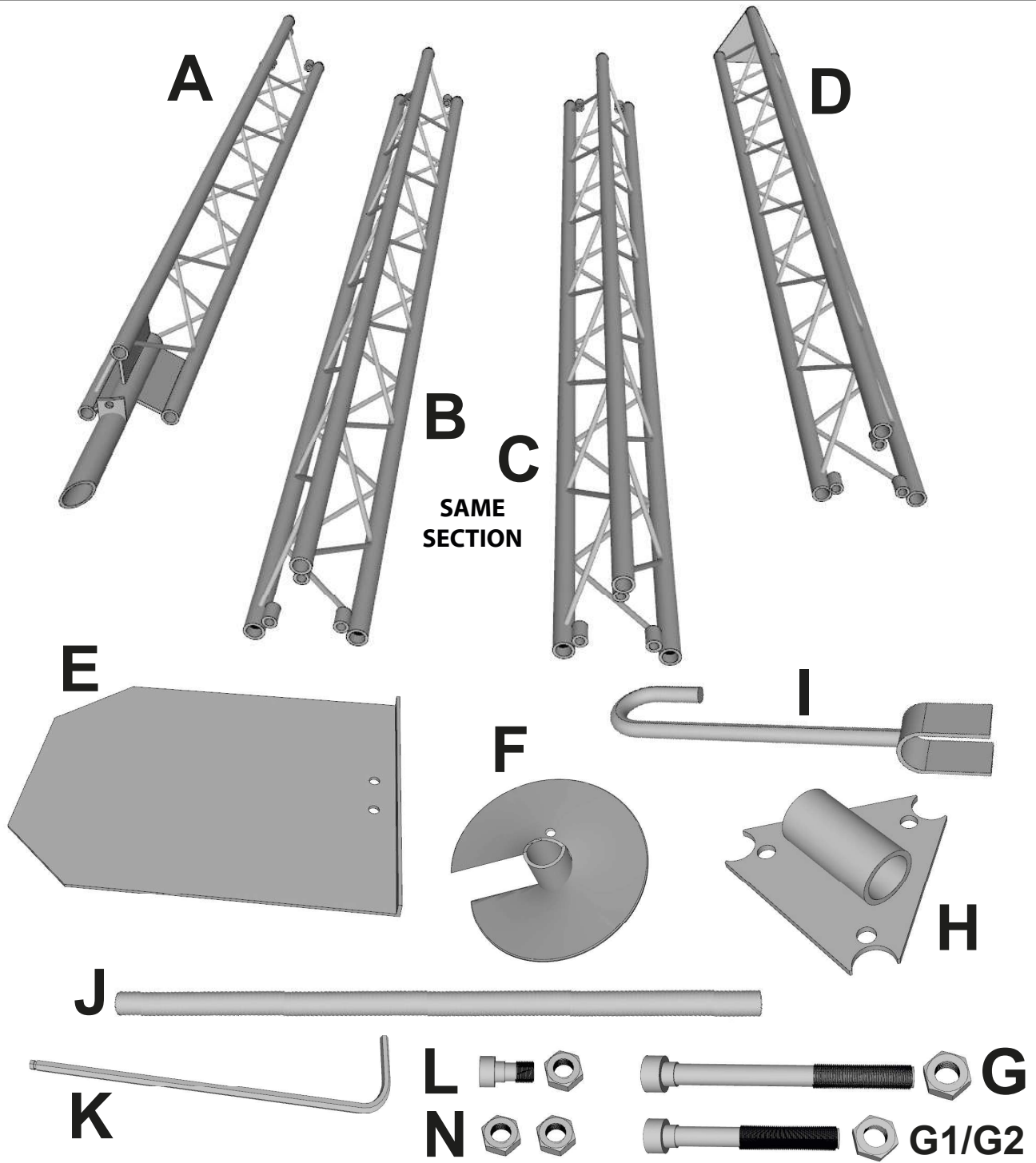
Replacement for damaged or missing parts will be shipped promptly.

Rev.: 32-0821



DECK AND FENCE HARDWARE
WWW.PYLEX.COM / 1 800-264-1881

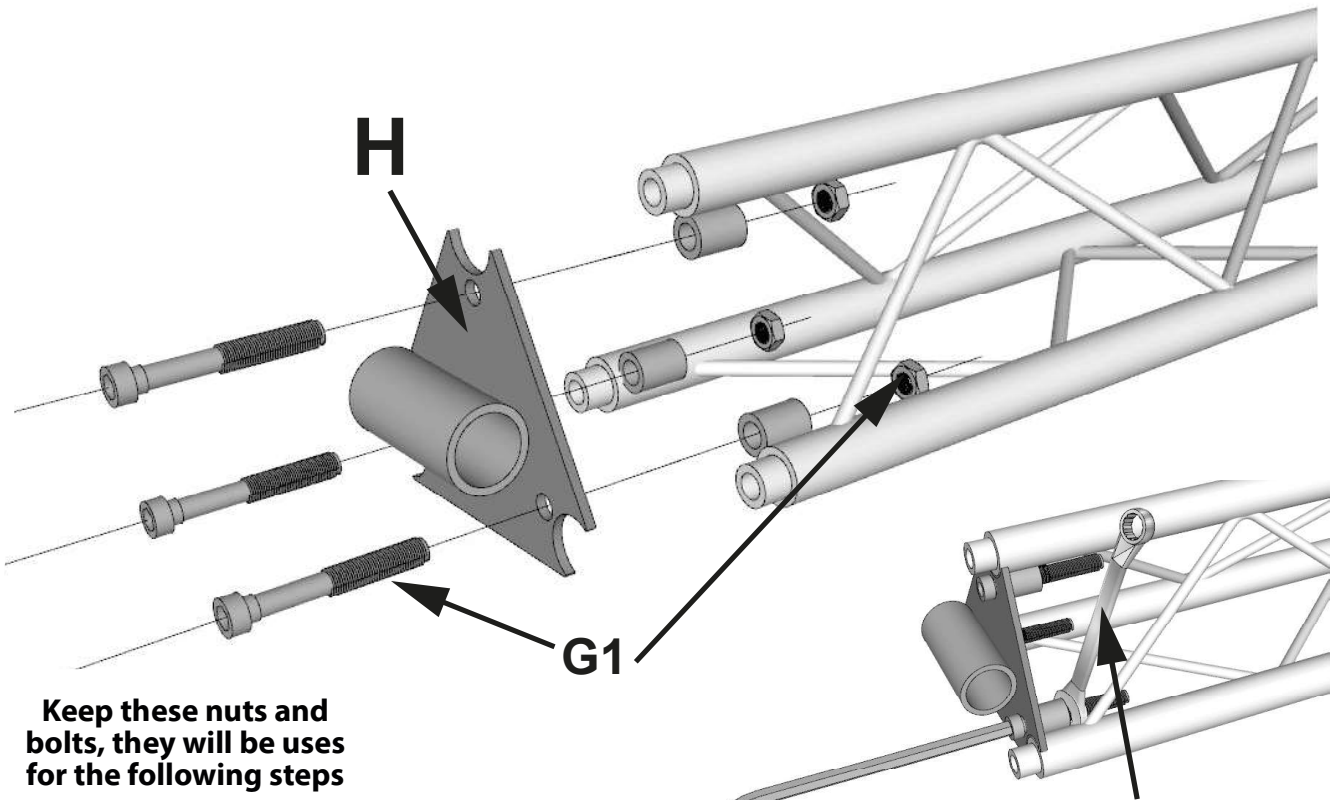
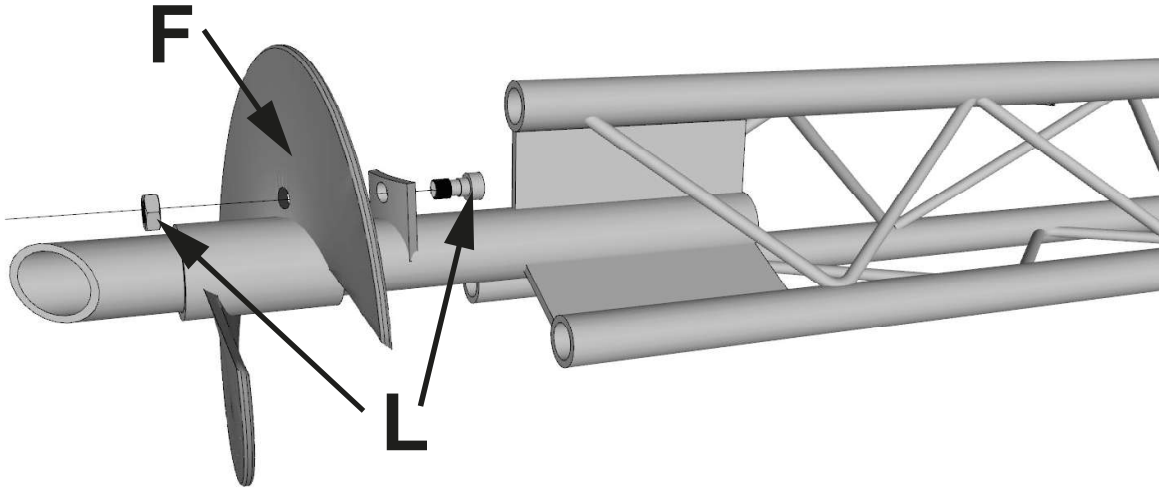
PARTS LIST



TOOLS REQUIRED



STEP 1 - AUGER ASSEMBLY

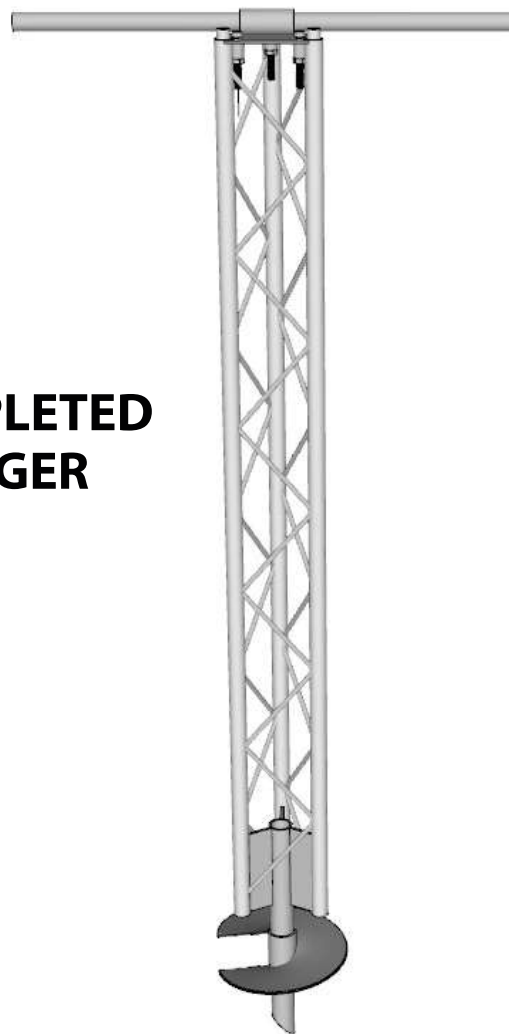
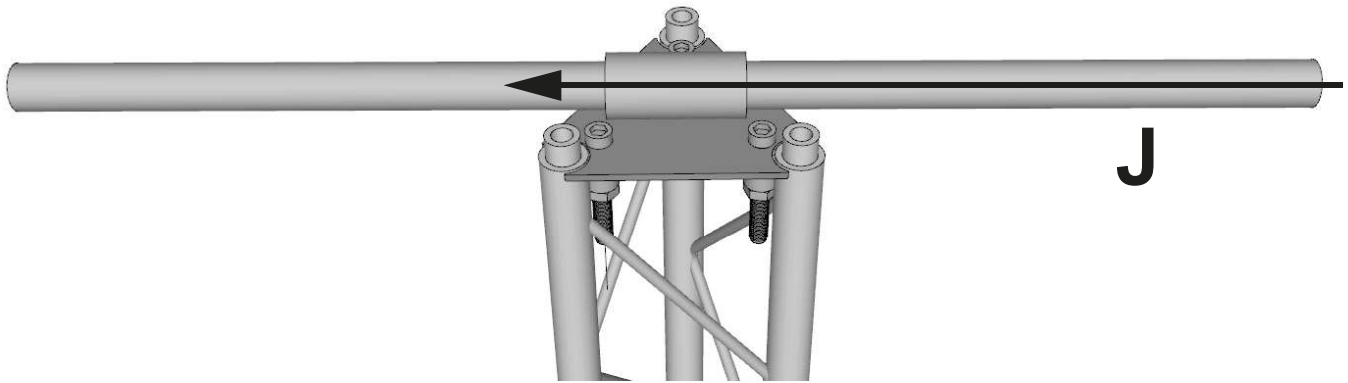


Keep these nuts and bolts, they will be used for the following steps

ALLEN KEY

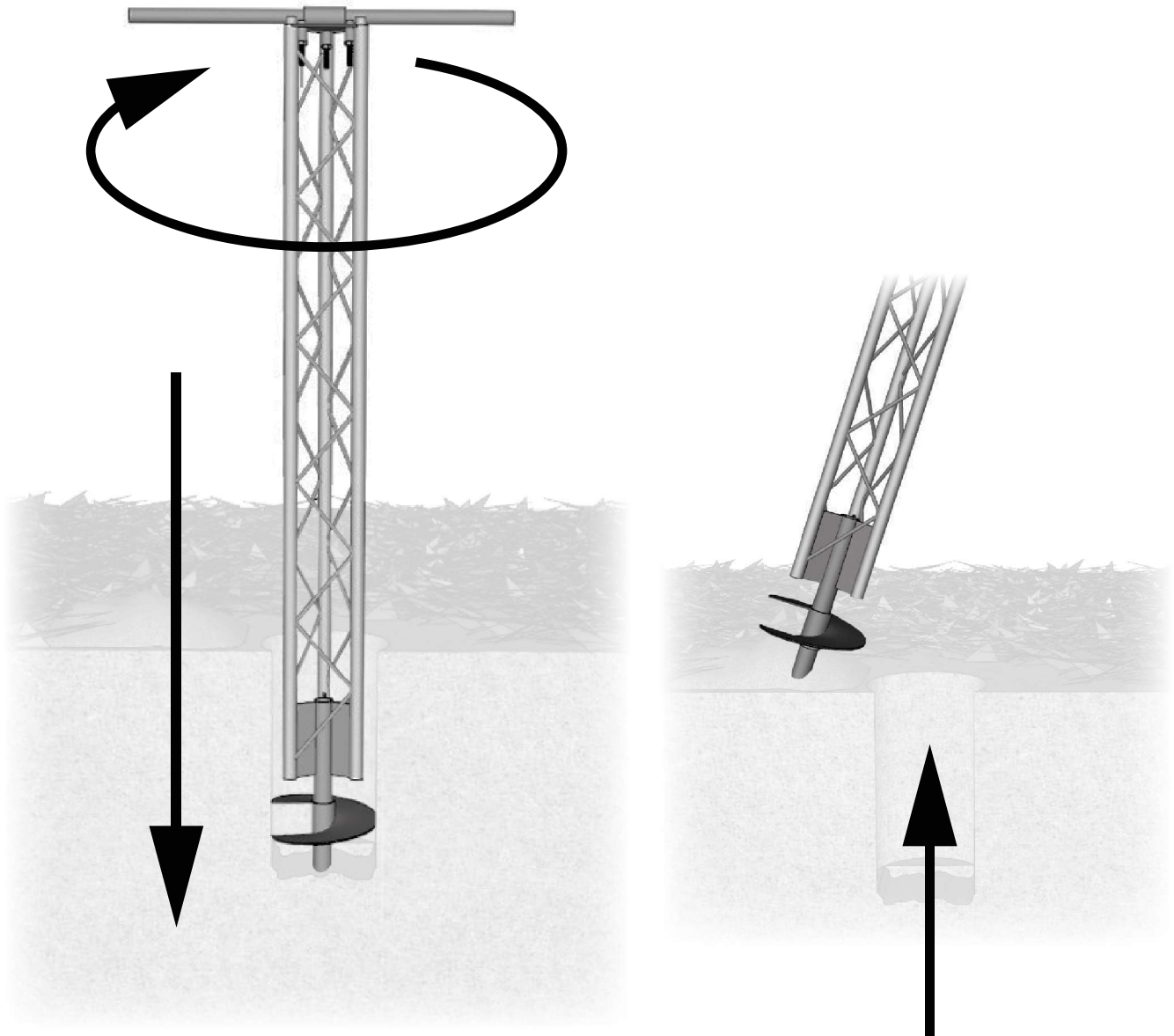
WRENCH
(Not included)

STEP 1 - AUGER ASSEMBLY (NEXT)



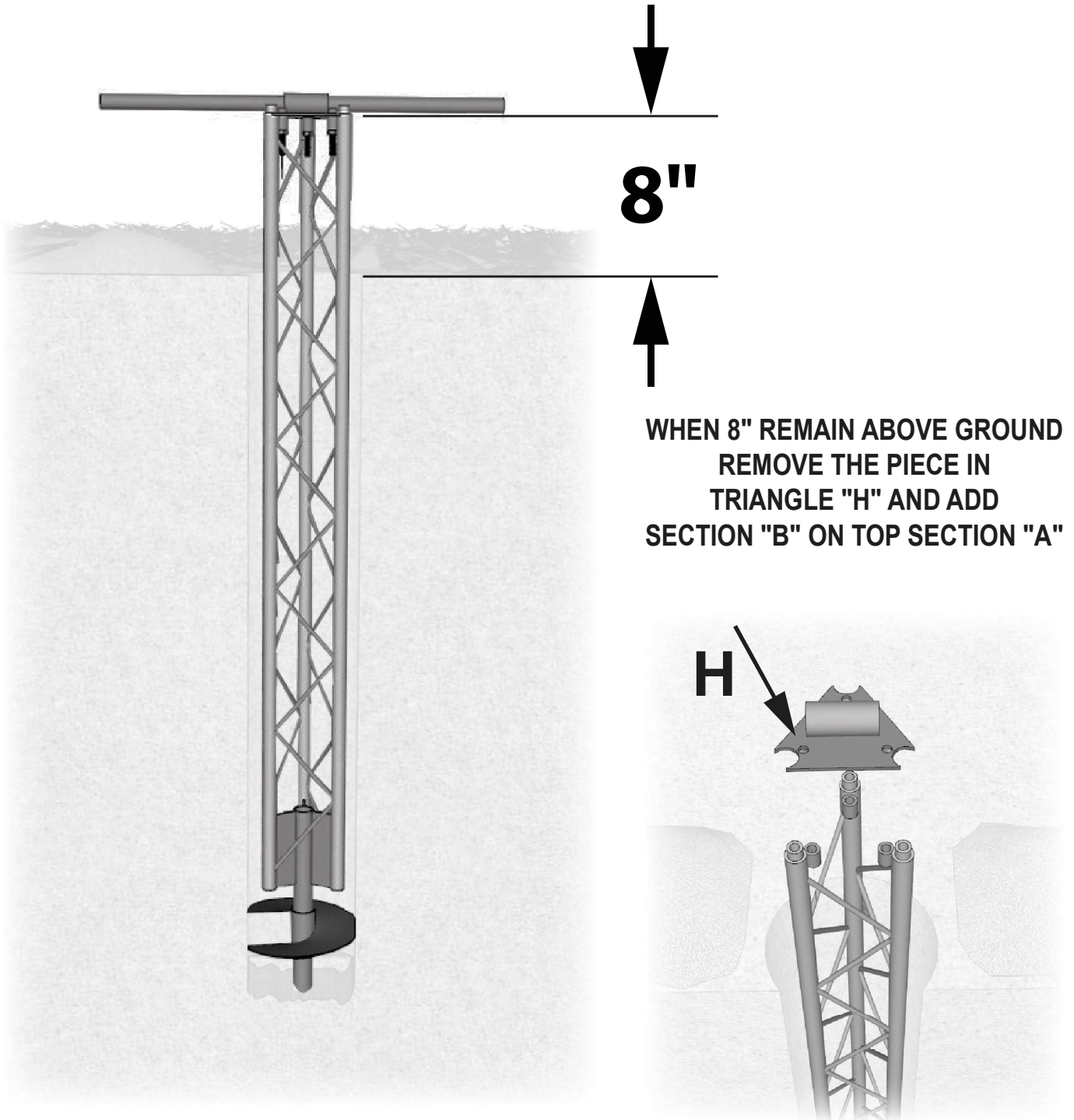
**COMPLETED
AUGER**

STEP 2 - INSTALLING SECTION "A"



**SCREW 6" AND REMOVE SOIL EACH TIME.
REPEAT UNTIL PIECE (A) IS 8" IN
ABOVE GROUND LEVEL.**

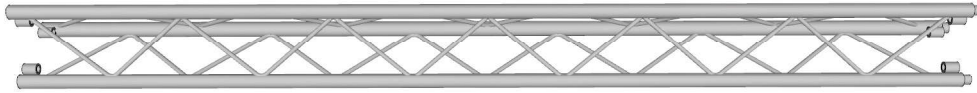
STEP 2 - INSTALLING SECTION "A" (NEXT)



STEP 3 - INSTALLING SECTION "B"

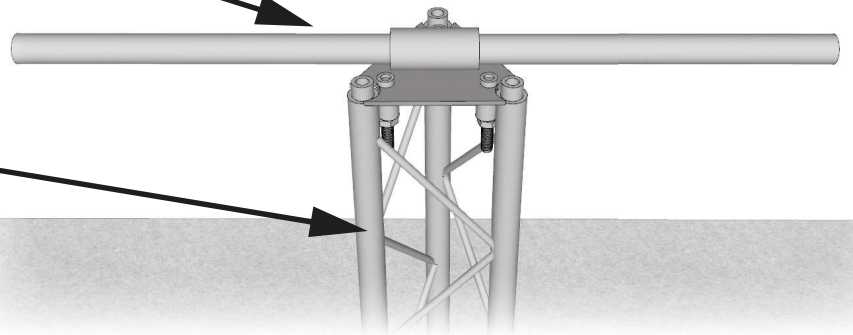


G 3X



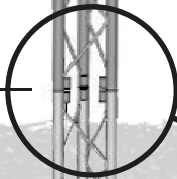
B

REPLACE TRIANGLE "H" ON THE TOP OF SECTION "B"

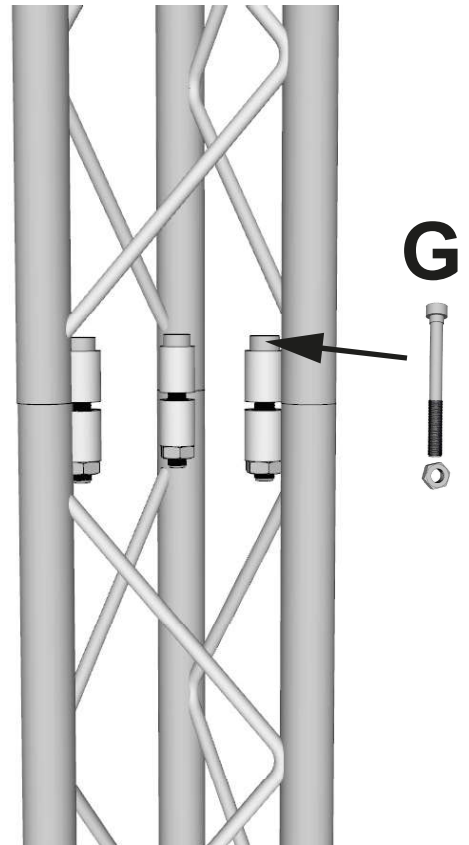


B

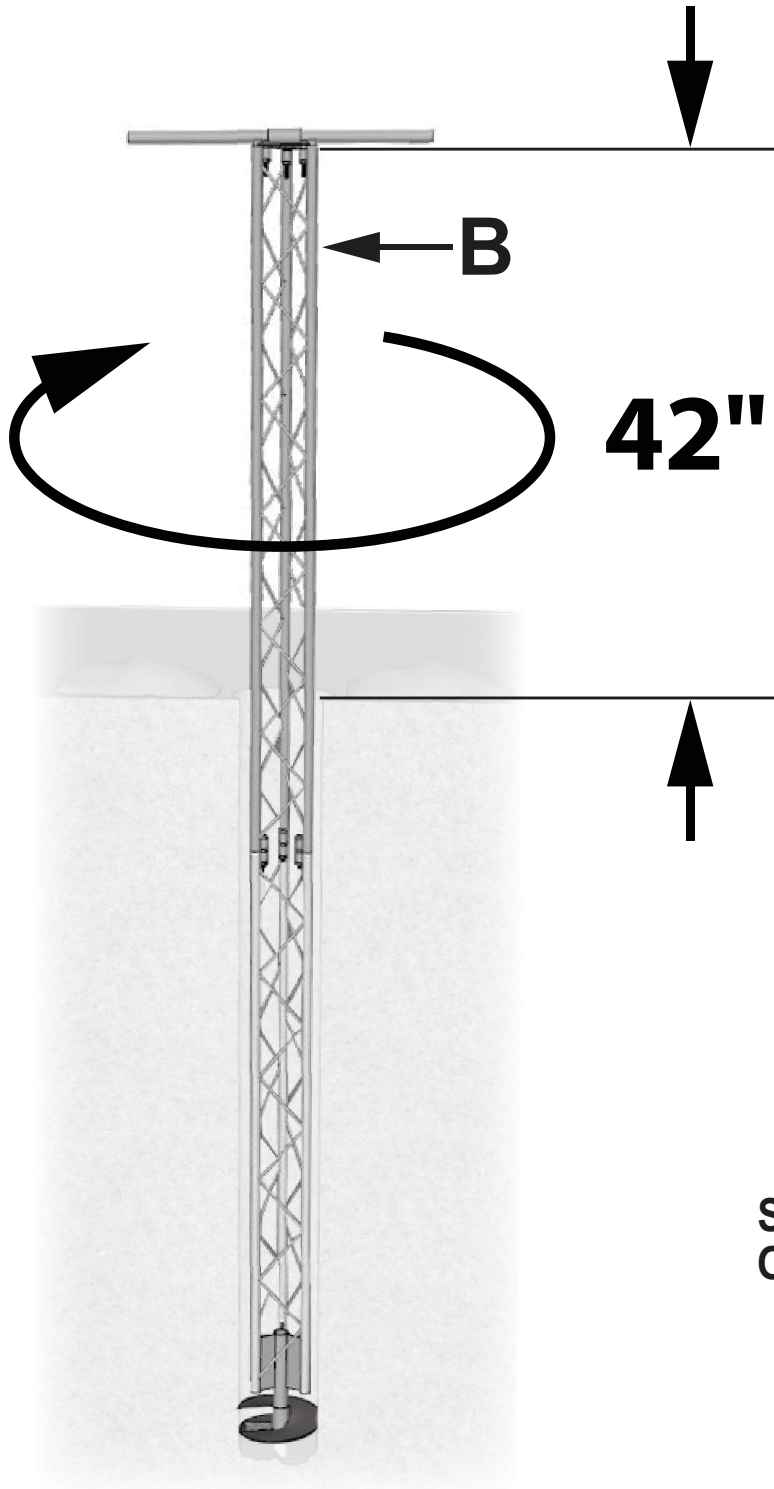
8"



A
(AUGER)



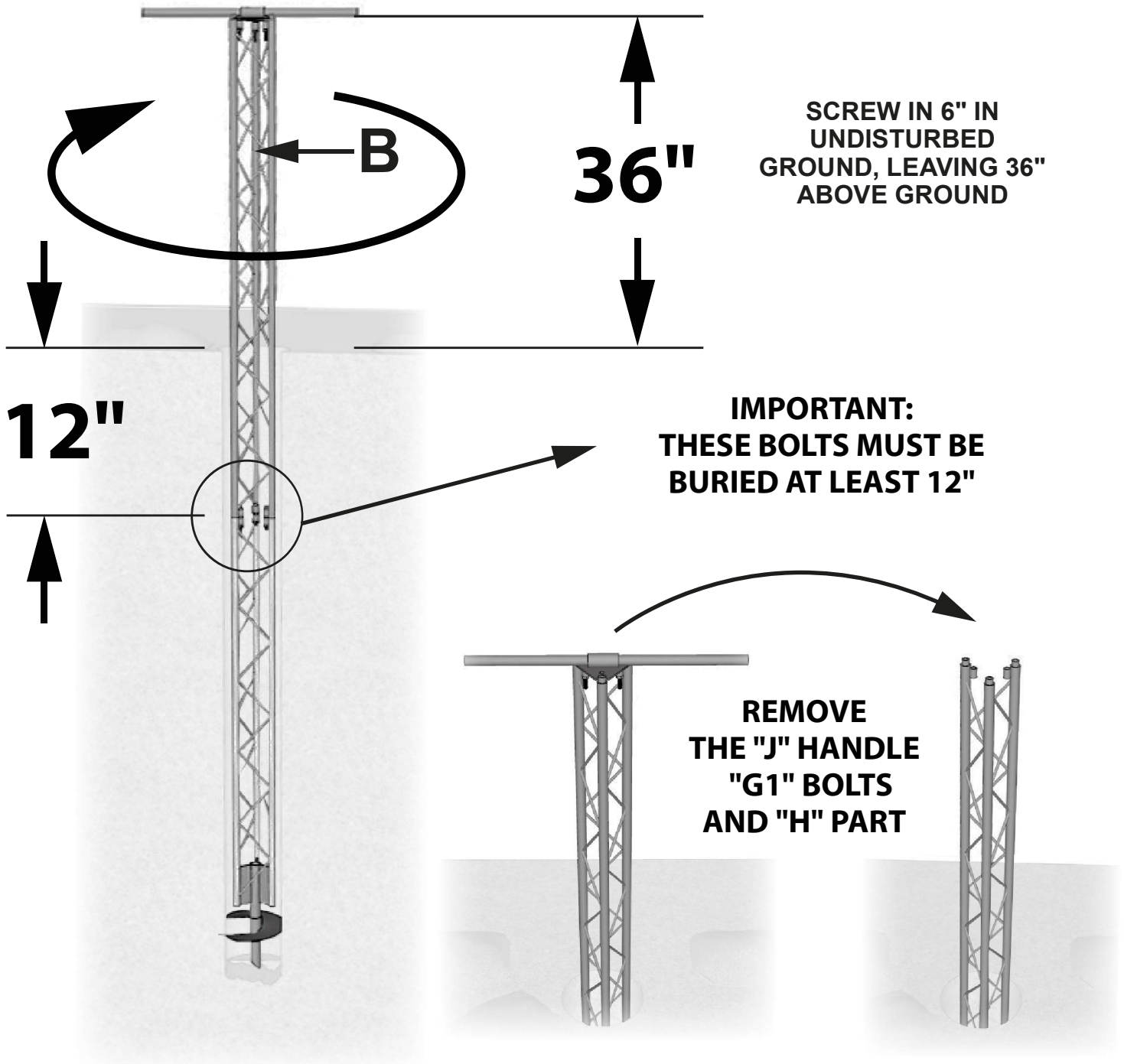
G



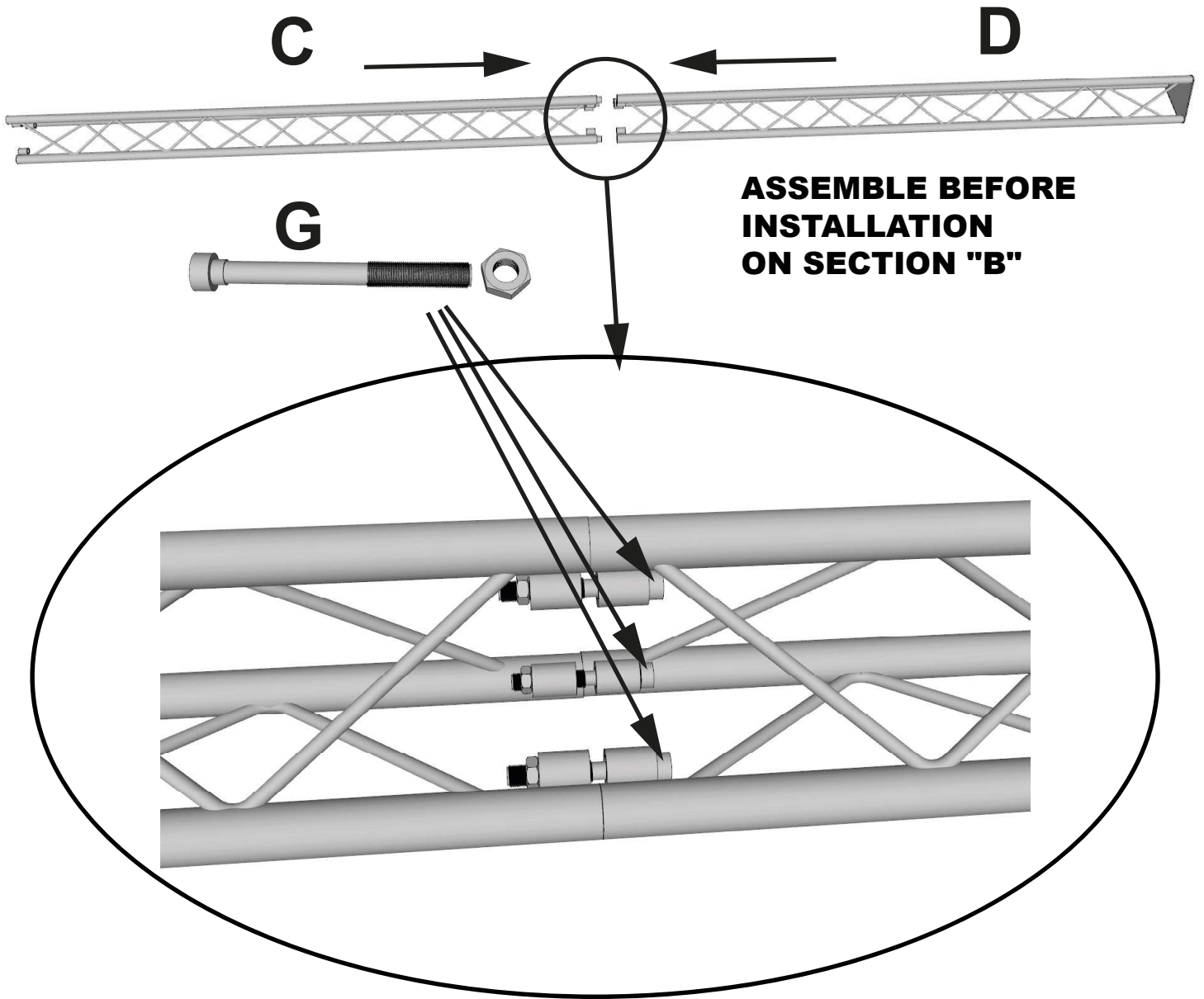
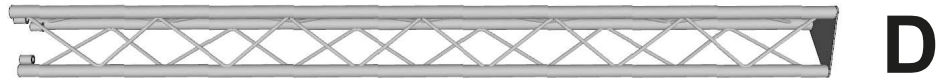
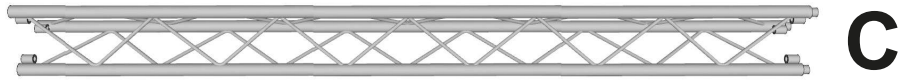
**CONTINUE TO SCREW 6"
AND REMOVE
SOIL EVERY TIME
UNTIL
SECTION "B" IS AT 42"
ABOVE
GROUND LEVEL.**

**IMPORTANT:
STOP REMOVING SOIL
ONCE A DEPTH OF 42"
IS REACHED**

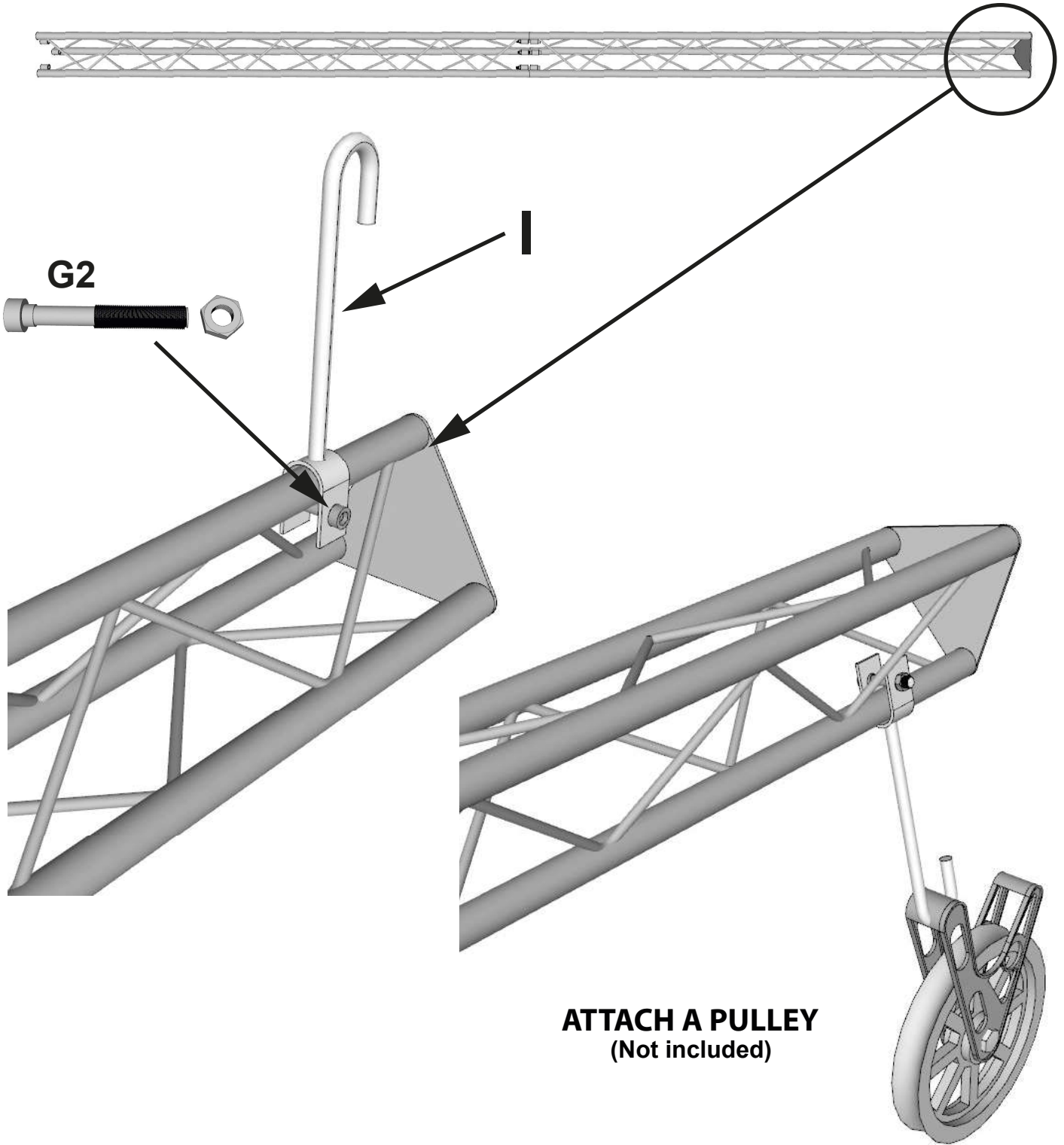
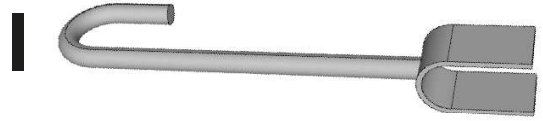
STEP 3 - INSTALLING SECTION "B" (NEXT)



STEP 4 - INSTALLING SECTIONS "C" ET "D"

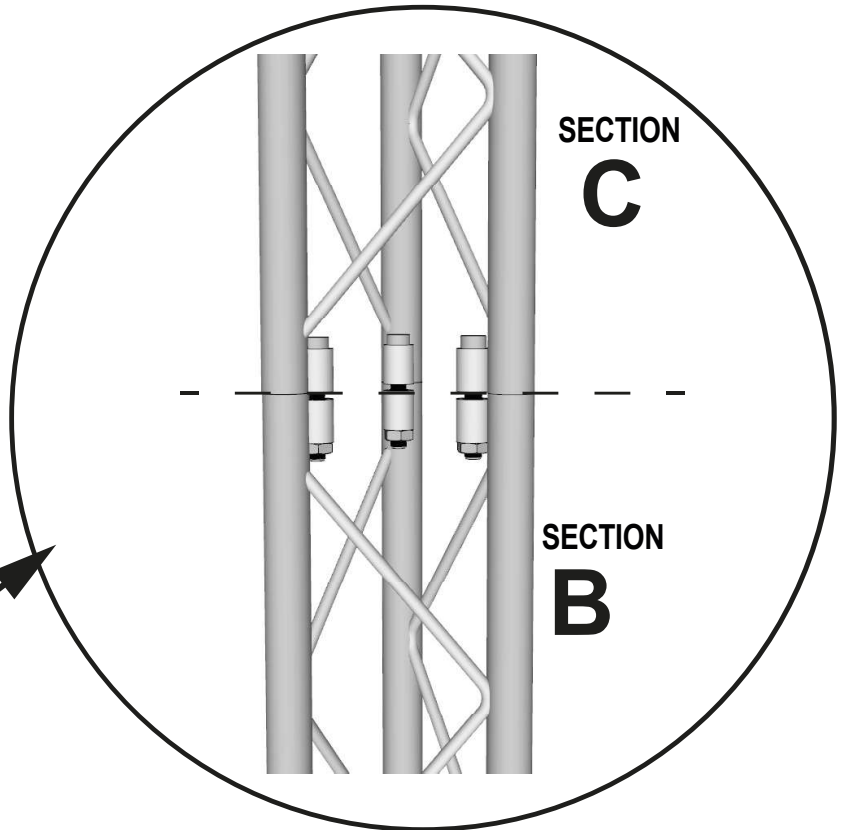
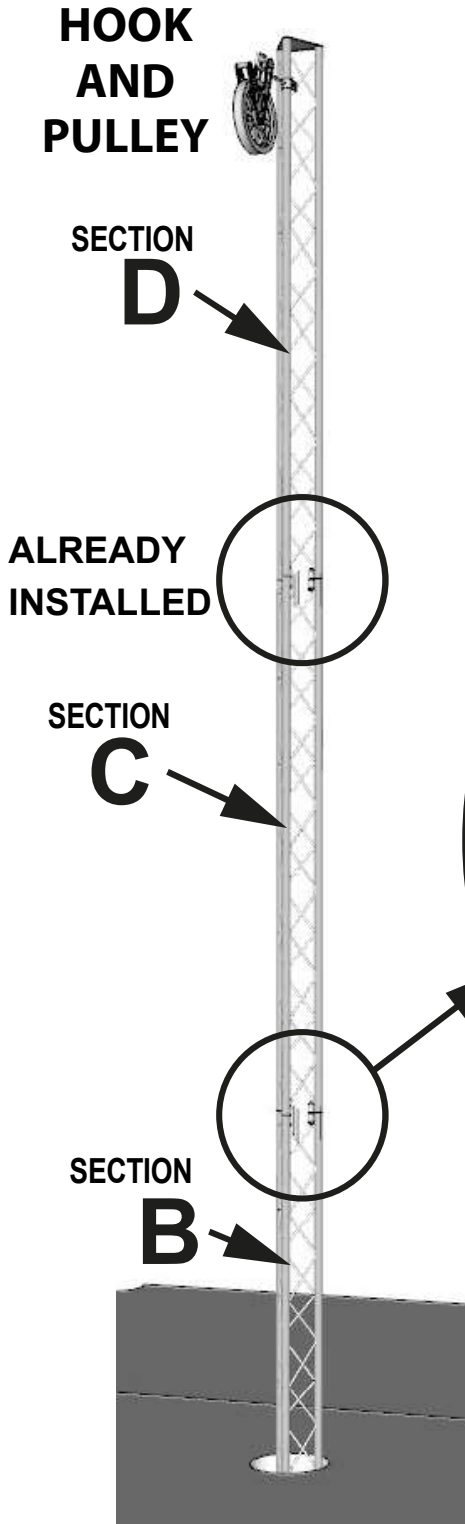


STEP 5 - HOOK (PULLEY) INSTALLATION



ATTACH A PULLEY
(Not included)

STEP 6 - INSTALLING SECTIONS "C" AND "D" ON SECTION "B"



STEP 7 - POLE TILT

**VERTICAL LINE
IMAGINARY
LEVEL**

LEVEL 48"

4"

LEVEL 24"

2"

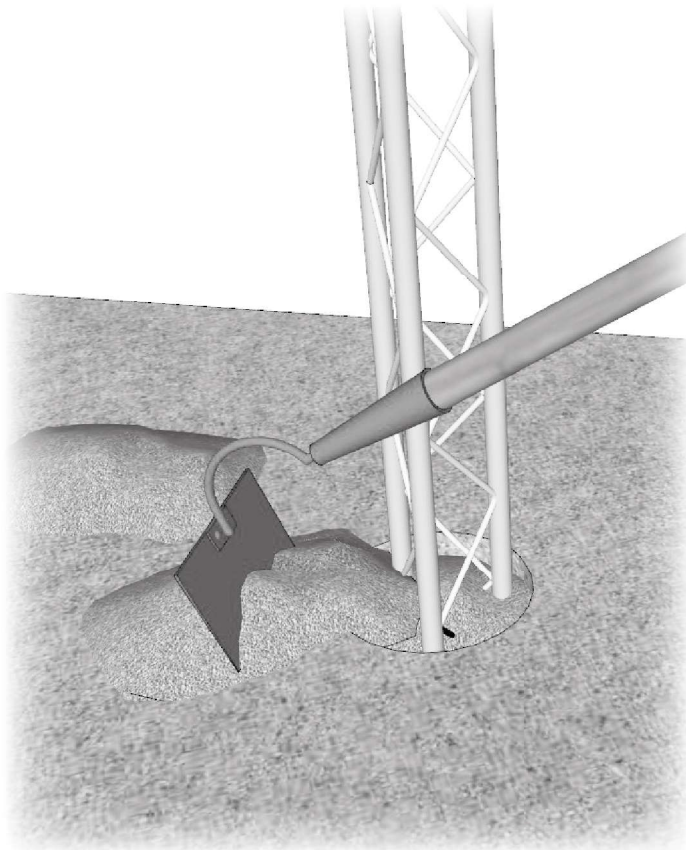
**THE POLE
MUST BE
TILTED AWAY FROM THE
CLOTHESLINE**

ROPE

**PUSH BACK
WITH HANDS**

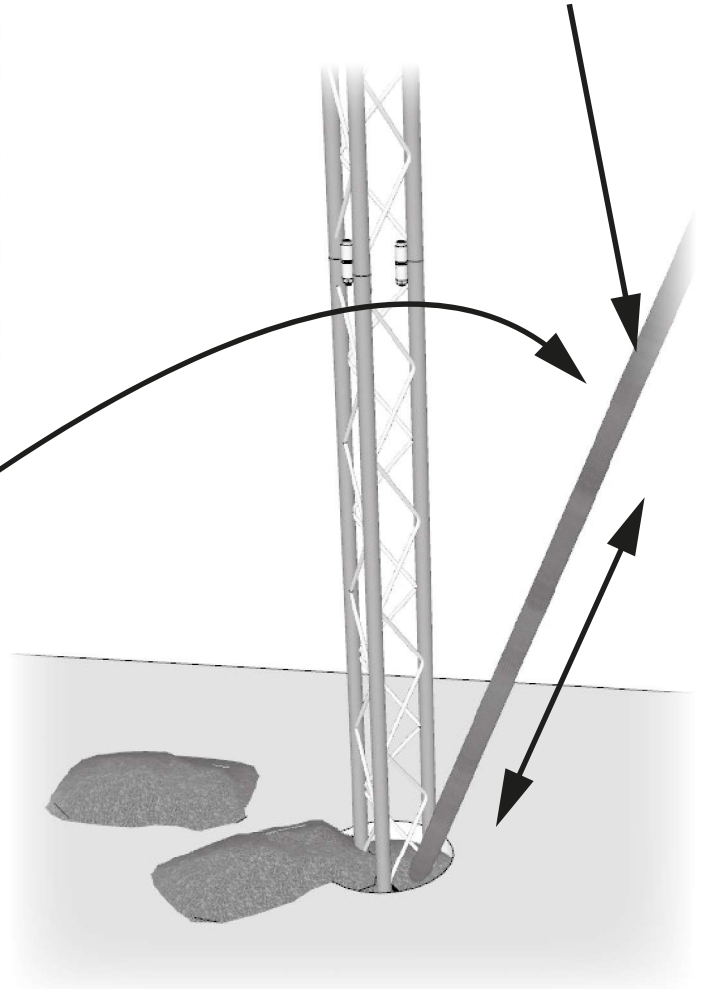
**11'
ABOVE
GROUND**

STEP 8 - SOIL COMPACTION



FILLING THE HOLE

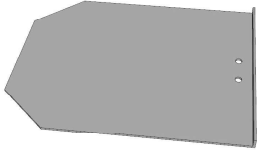
STICK



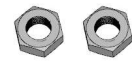
**COMPACT
SOIL WELL
AS SHOWN**

STEP 9 - INSTALLING THE "E" PLATE

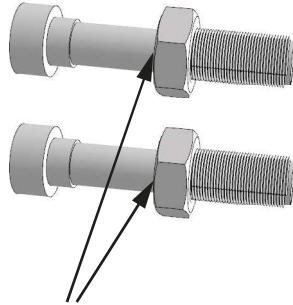
E



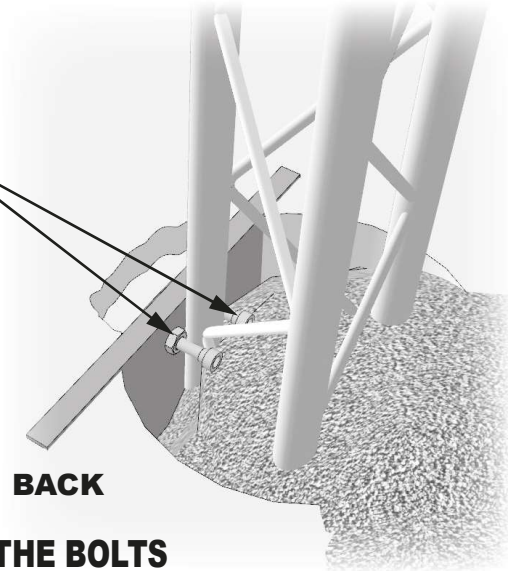
N



G1

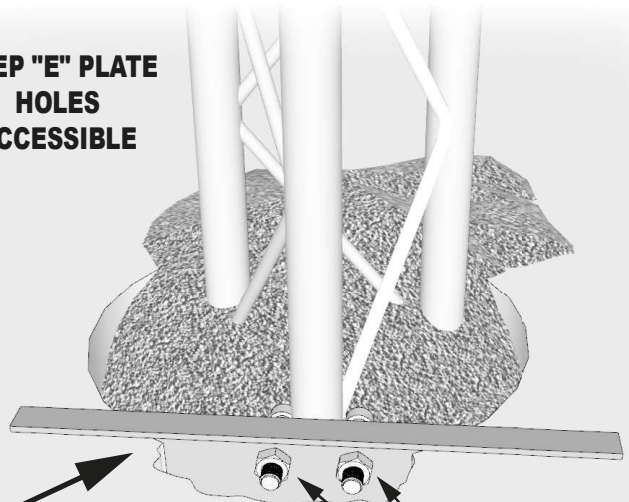


TIGHTEN THE NUTS UNTIL THE END OF THE THREAD

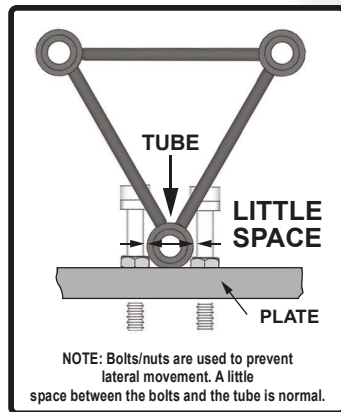
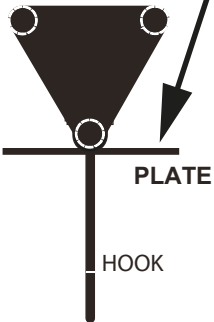


PUT THE BOLTS AS SHOWN

KEEP "E" PLATE HOLES ACCESSIBLE



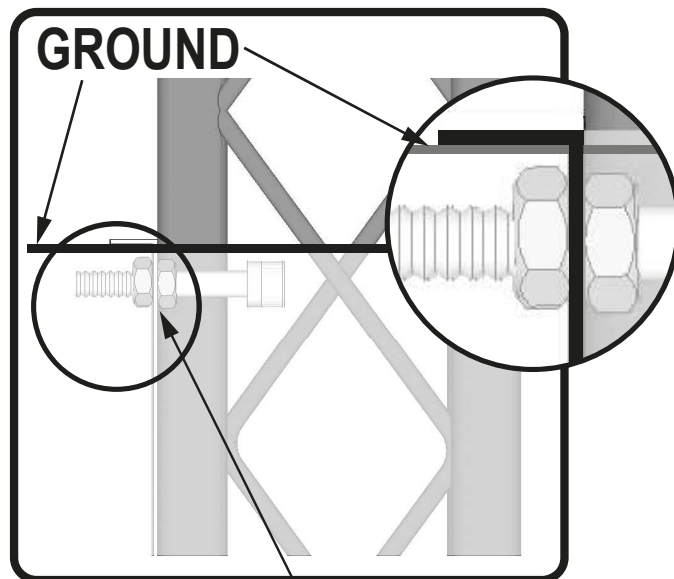
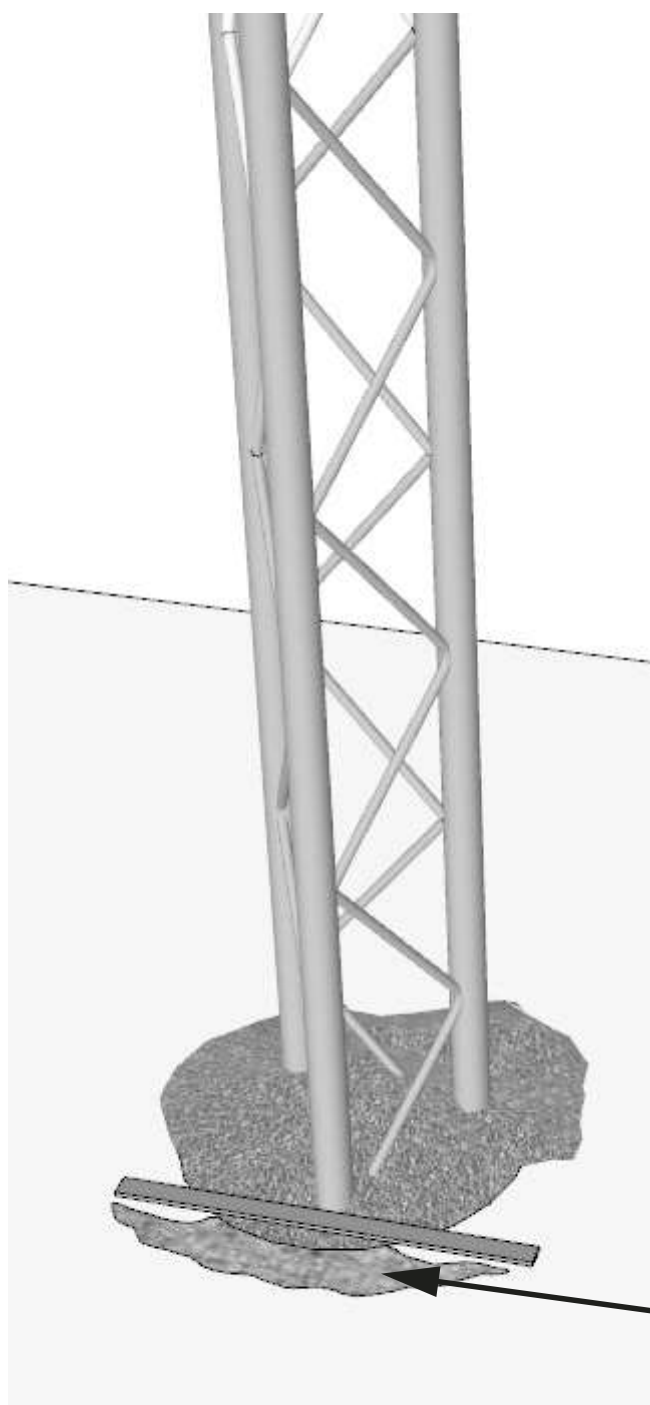
TOP VIEW



NOTE: Bolts/nuts are used to prevent lateral movement. A little space between the bolts and the tube is normal.

N

STEP 9 - INSTALLING THE "E" PLATE (SUITE)



**BOLTS MUST
BE BURIED**

**COMPACT SOIL
WELL IN FRONT
OF THE PLATE**

Standard 11' above ground.
Possibility of adding an extension (item #: 10738)
to have a maximum of 15' above ground.



RATE US!



Satisfied with your Pylex product?

Please let us know by sharing pictures with us at info@pylex.com

You can also write a review online
about your purchase.

(By sending your image, you agree to give Pylex the right to it in its marketing activities).

Thank you!

YOU LIKED OUR PRODUCT?

Visit our website: www.pylex.com to see all our products
or **scan this QR code** to have access to our catalog!



Pylex Guarantee Certificate



Follow us:

