

Here is the most recent version of the installation video



Here you have the most recent version of the installation guide



INSTALLATION GUIDE

CENTRAL STEEL STRINGER SYSTEM

13925

FOR 1 TO 7 STEPS



IMPORTANT: Requires one extra kit than the number of steps.

Ex: 4 step staircases. Required: 5 system for central steel stringer

Question? - Contact us:

First contact our friendly customer service team for assistance.

Email: info@pylex.com or call: 1-800-264-1881

Monday to Friday: 8:30am to 4:30pm UTC

Replacement for damaged or missing parts will be shipped promptly.





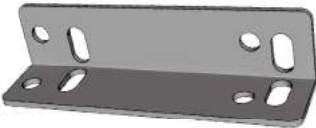

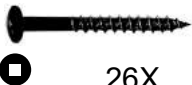







Rev.: 32-0301



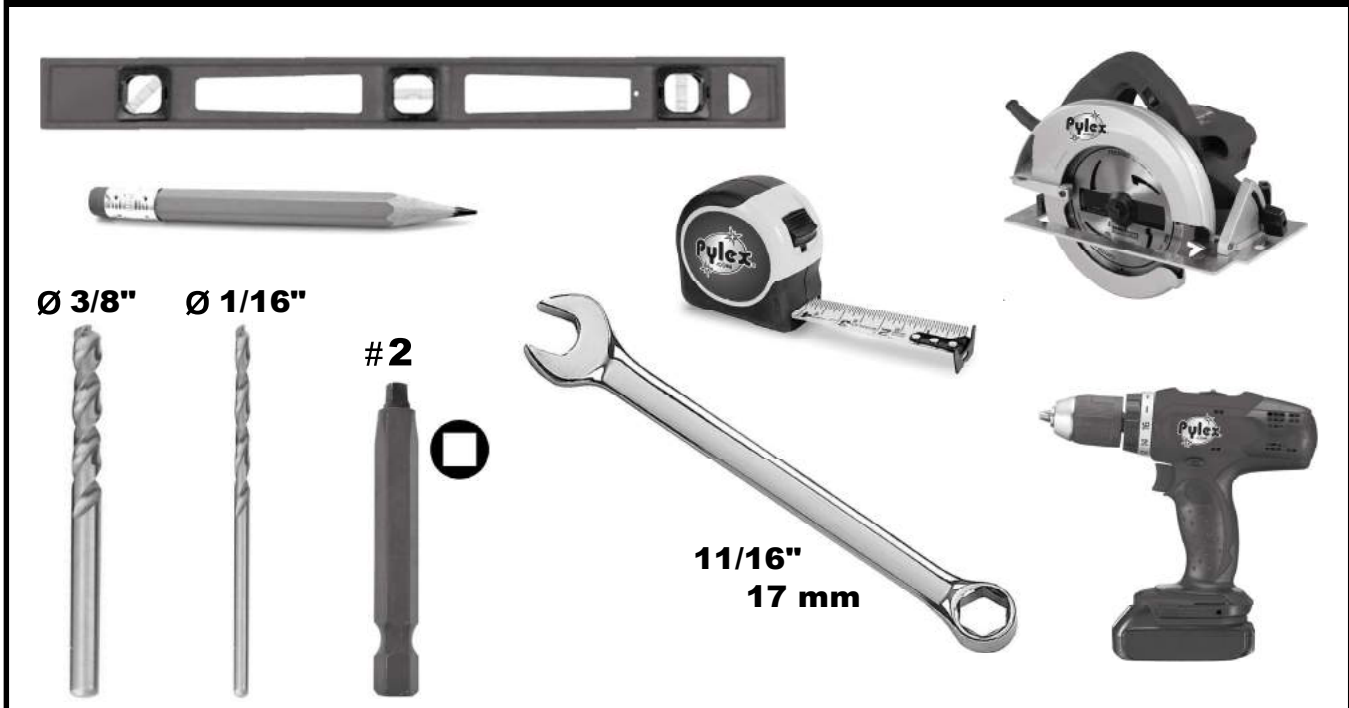
DECK AND FENCE HARDWARE
WWW.PYLEX.COM / 1 800-264-1881

POUR LE GUIDE EN FRANÇAIS ALLEZ À LA PAGE 18

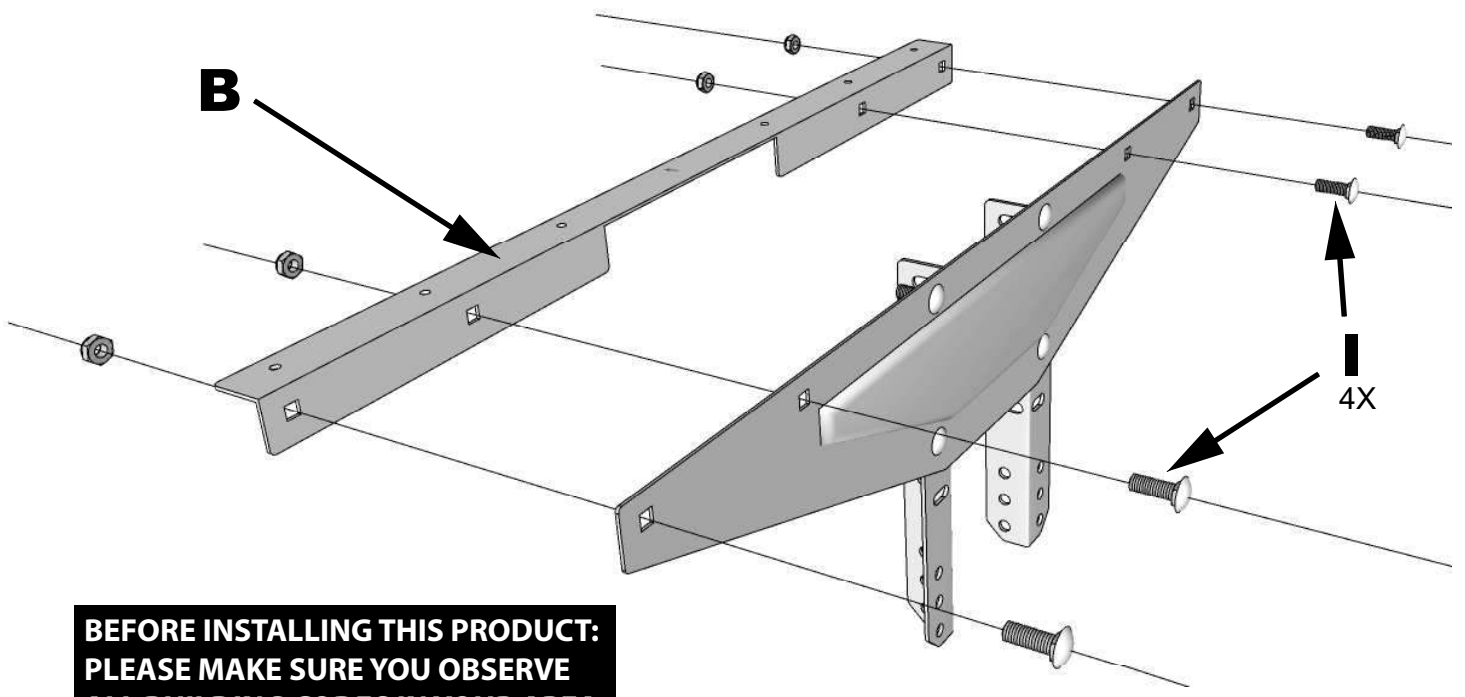
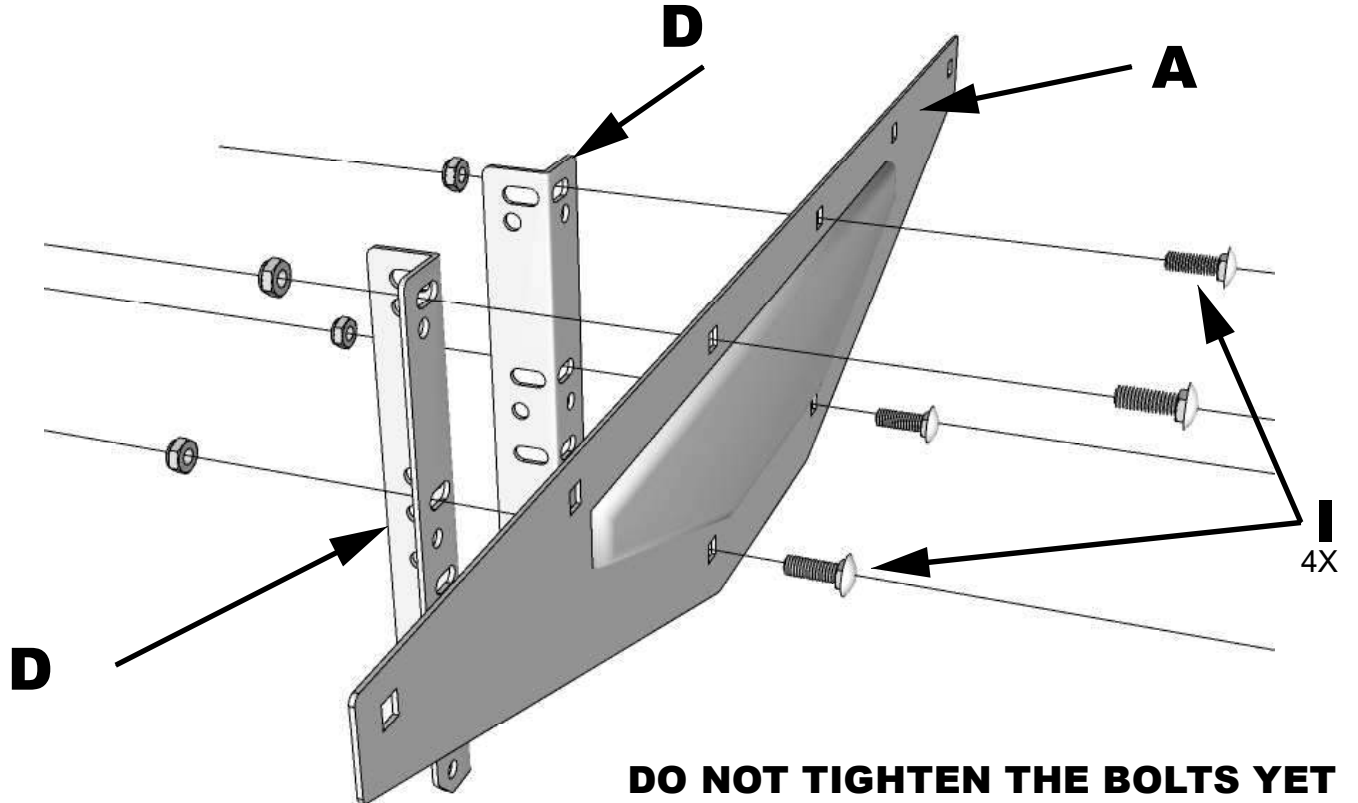
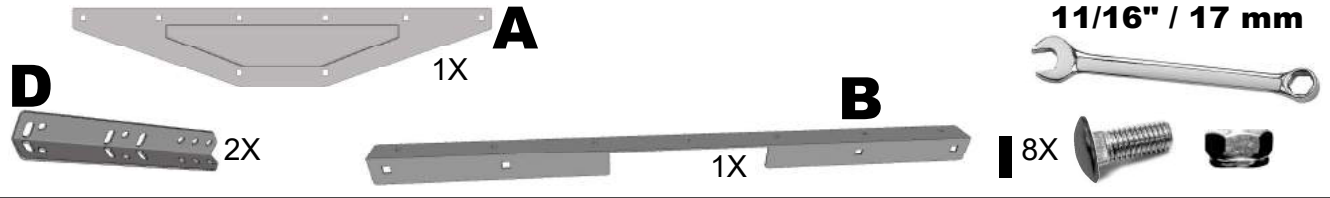
PART LIST

<p>A 1X</p> 	<p>B 1X</p> 		
<p>C 1X</p> 	<p>D 2X</p> 		
<p>E 1X</p> 	<p>F 2X</p> 		
<p>G #10 X 1-1/2 in 26X</p> 	<p>H #10 X 3-1/2 in 4X</p> 	<p>I M10 X 1 in 10X</p> 	<p>J M10 X 3-7/8 in 5X</p> 
<p>K M10 X 6-1/4 in 2X</p> 	<p>L 10X</p> 	<p>M 4X 3X</p> 	<p>NOT INCLUDED</p> 

TOOLS REQUIRED



STEP 1 - ASSEMBLY #1



**BEFORE INSTALLING THIS PRODUCT:
PLEASE MAKE SURE YOU OBSERVE
ALL BUILDING CODES IN YOUR AREA.**

STEP 1 - ASSEMBLY #1 - NEXT



C



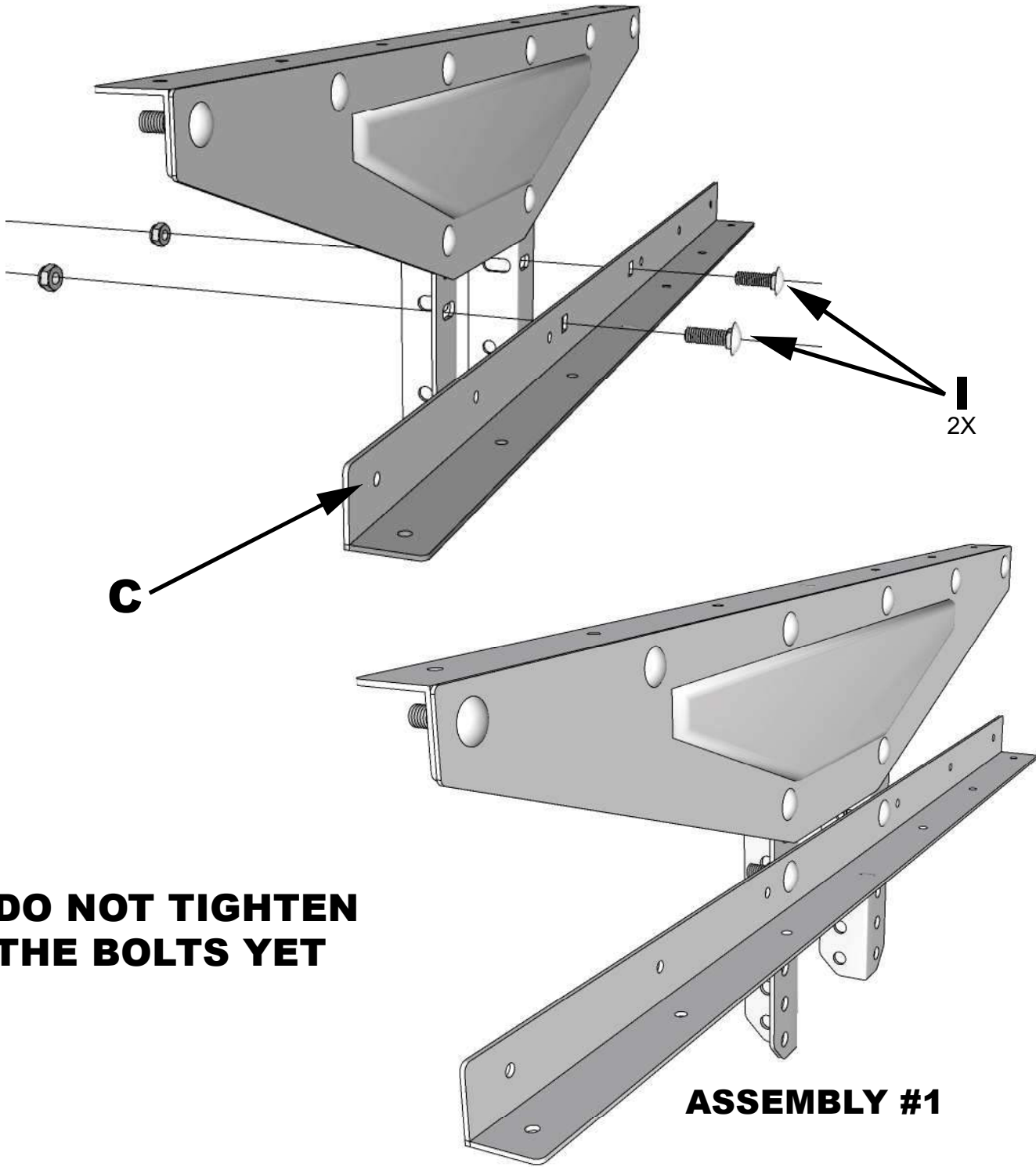
1X



2X



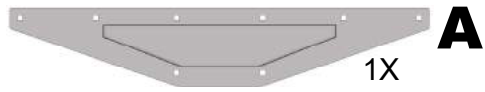
11/16" / 17 mm



DO NOT TIGHTEN THE BOLTS YET

ASSEMBLY #1

STEP 2 - ASSEMBLY #2



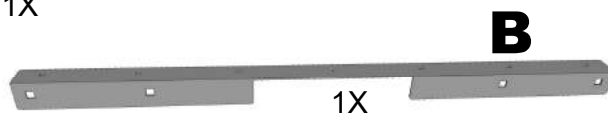
1X



11/16" / 17 mm



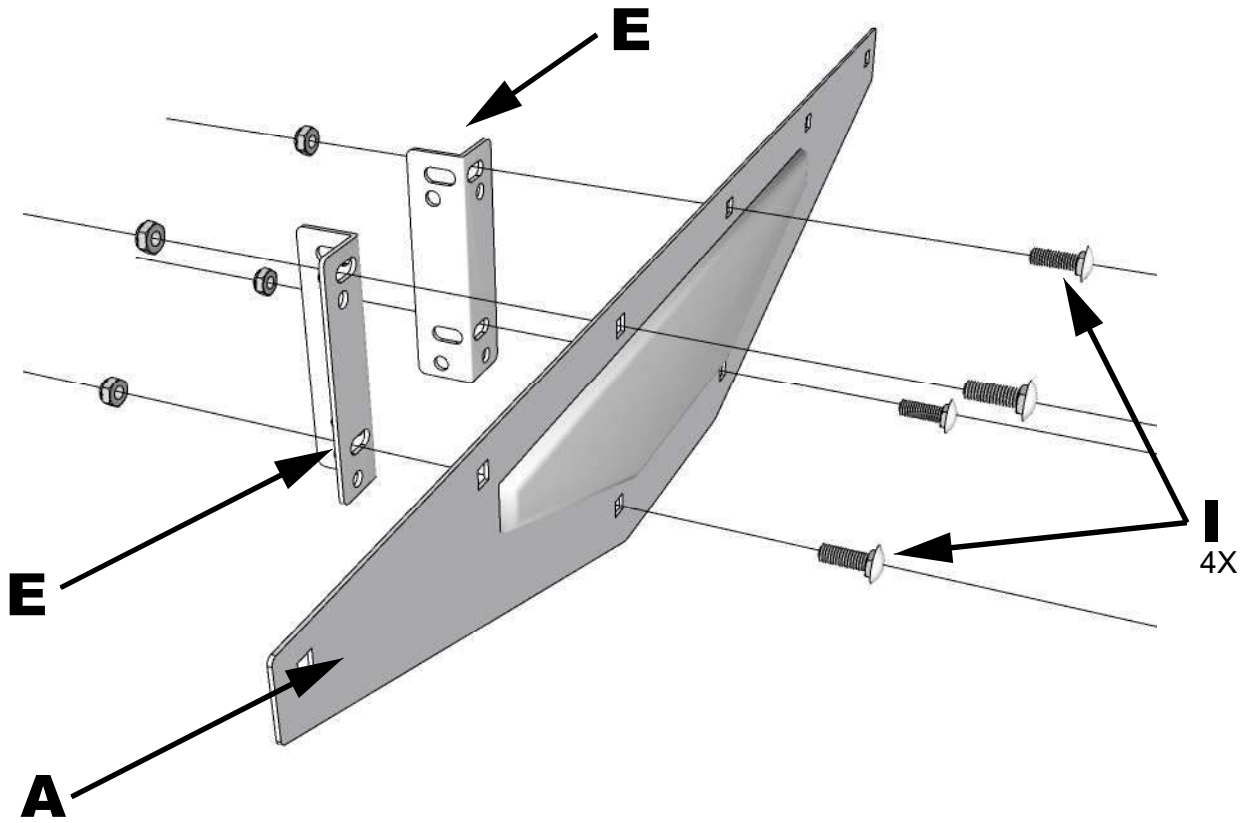
2X



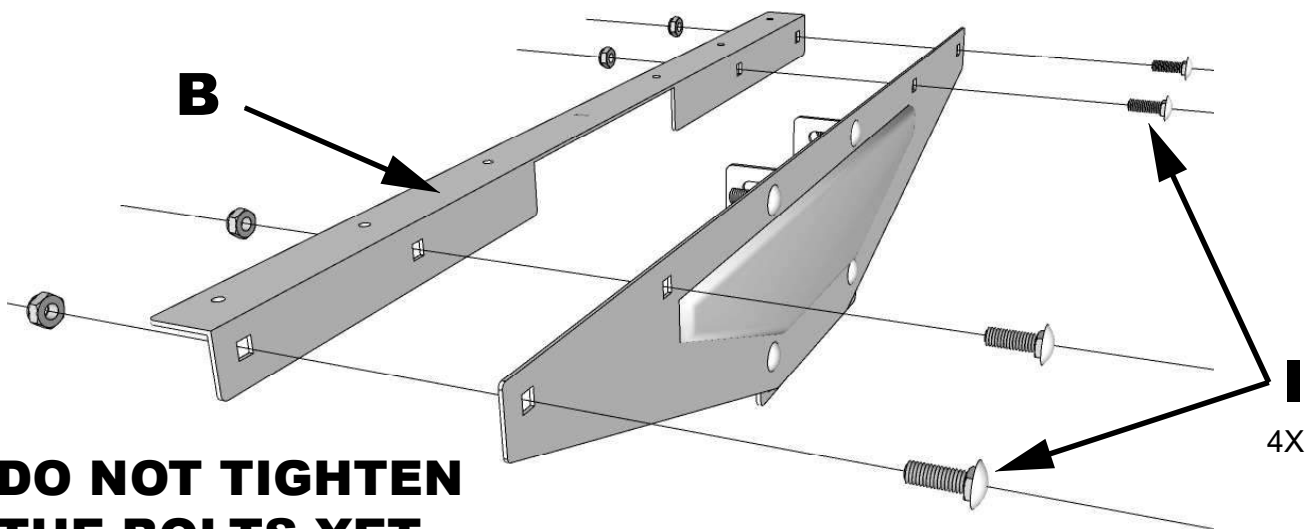
1X



8X

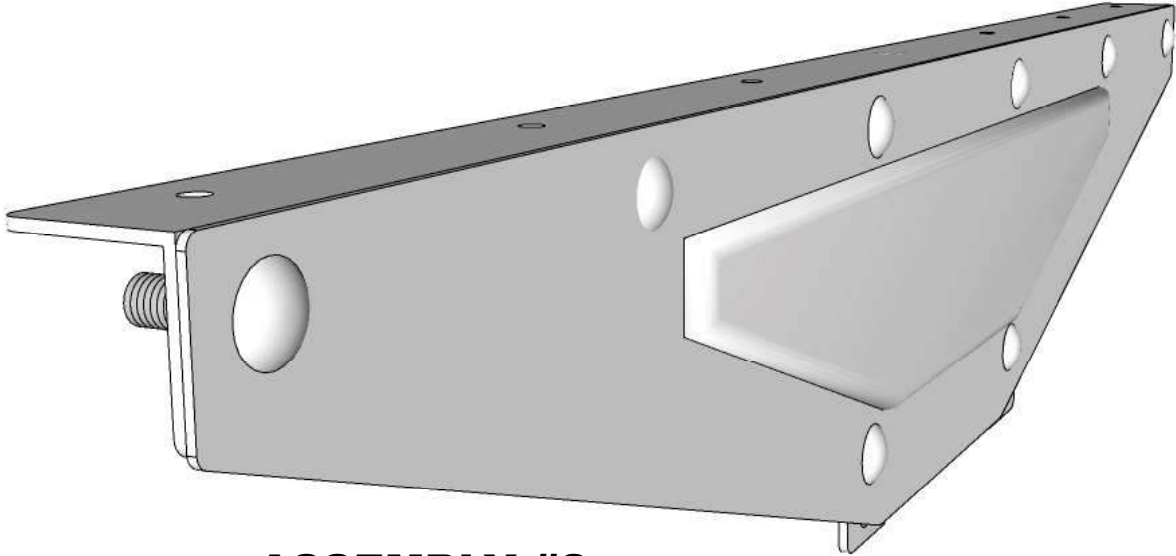


4X



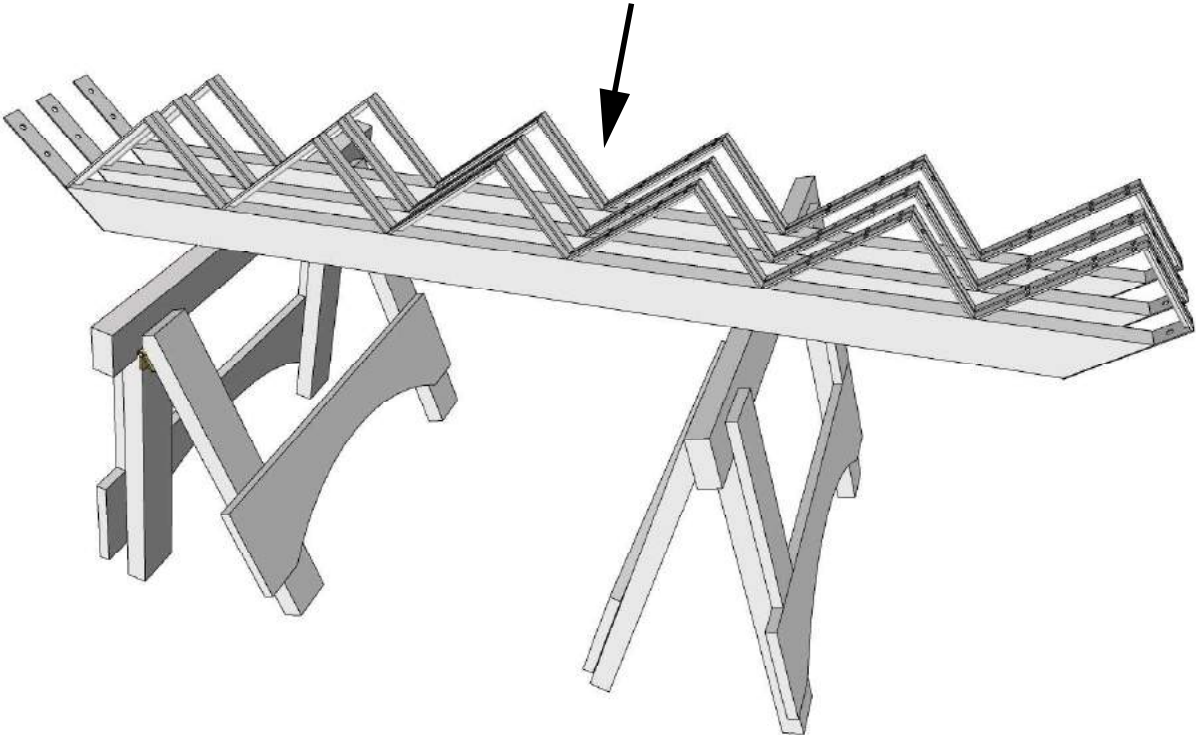
4X

**DO NOT TIGHTEN
THE BOLTS YET**



ASSEMBLY #2

3 Steel stair stringers



STEP 3



1X



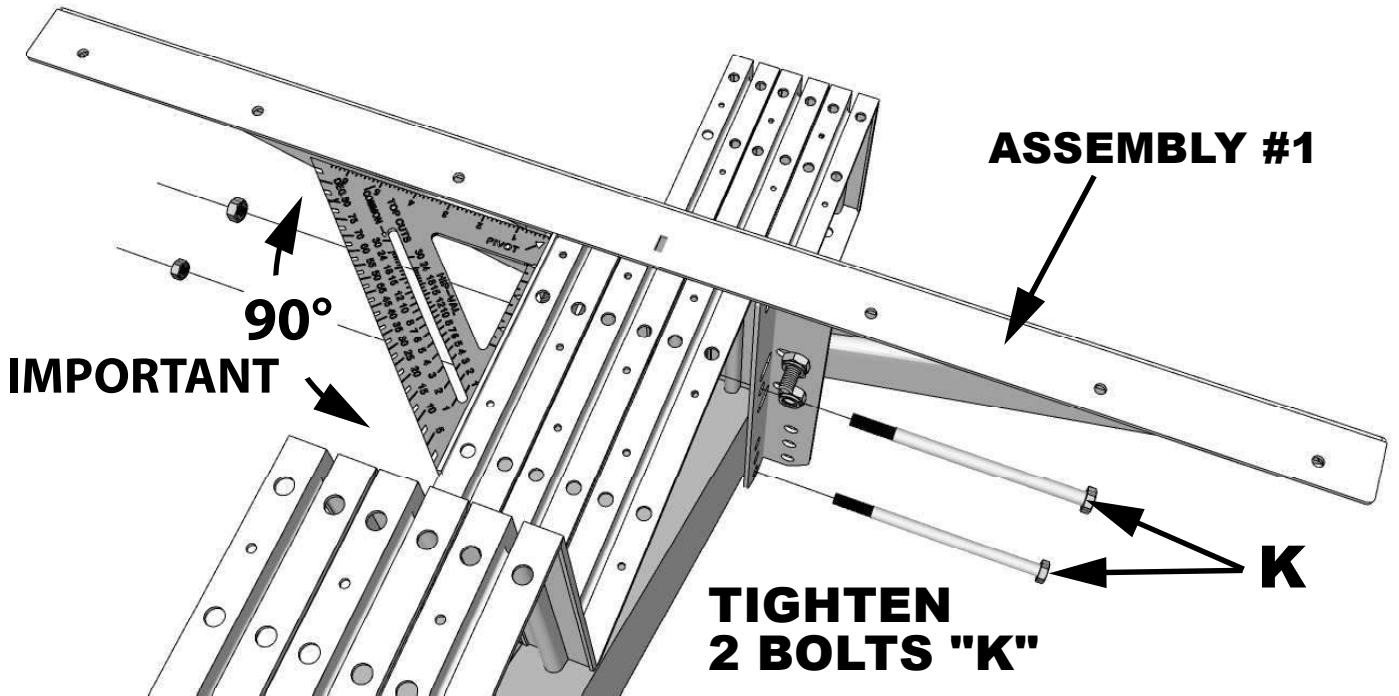
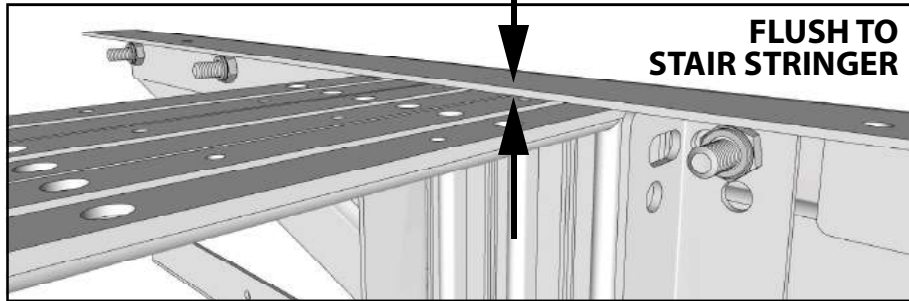
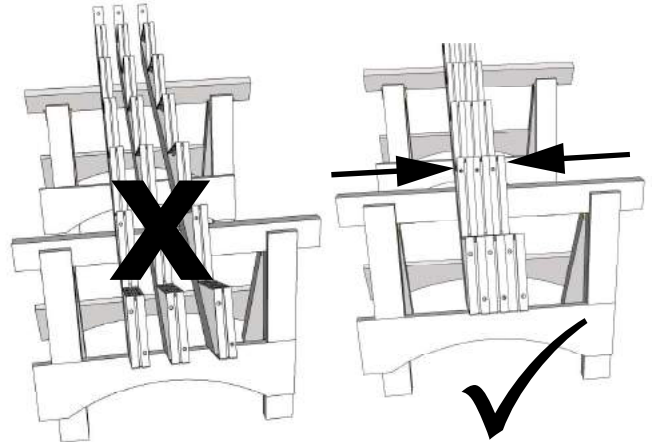
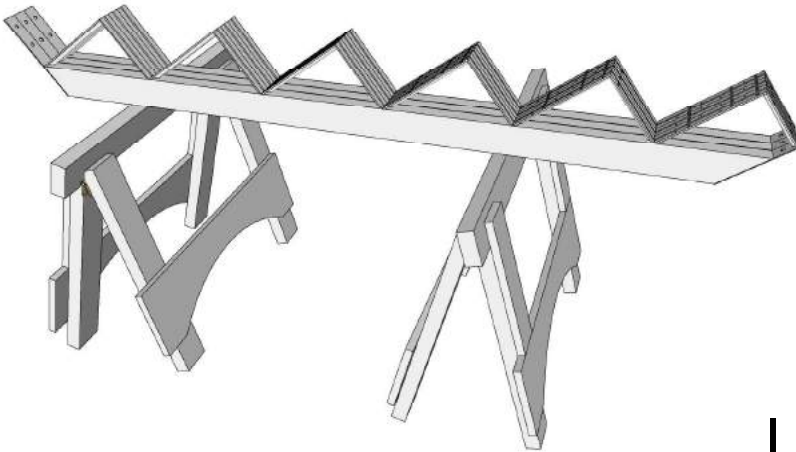
ASSEMBLY #1

K



2X

11/16" / 17 mm

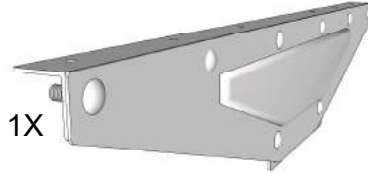


STEP 4



1X

ASSEMBLY #1



1X

ASSEMBLY #2

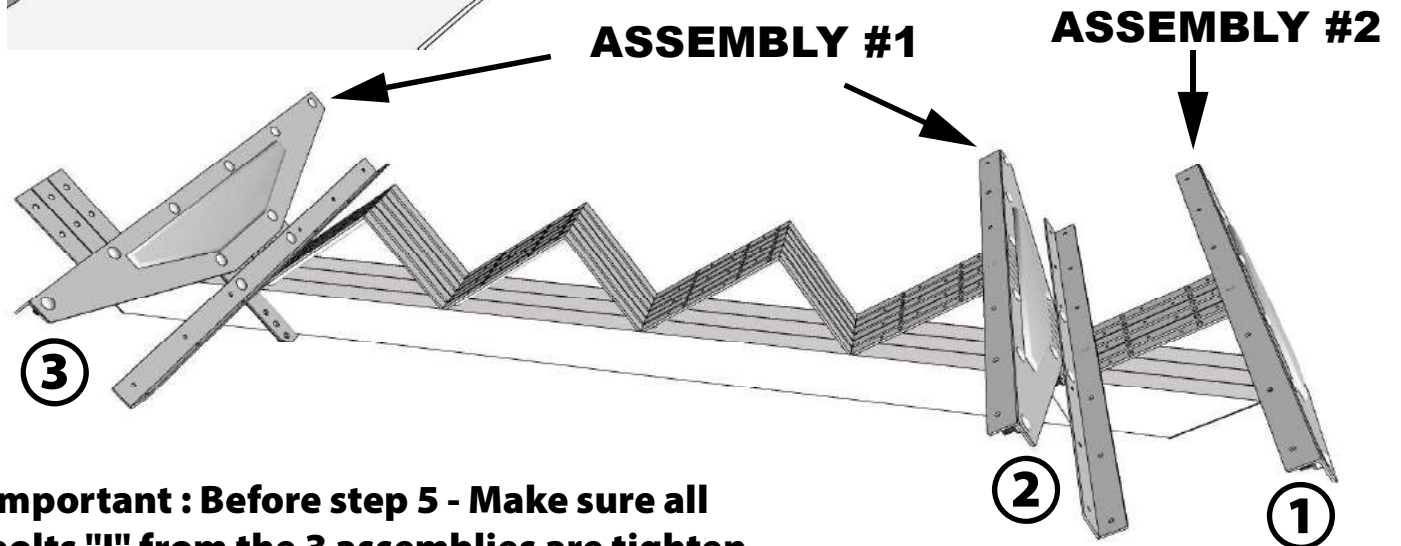
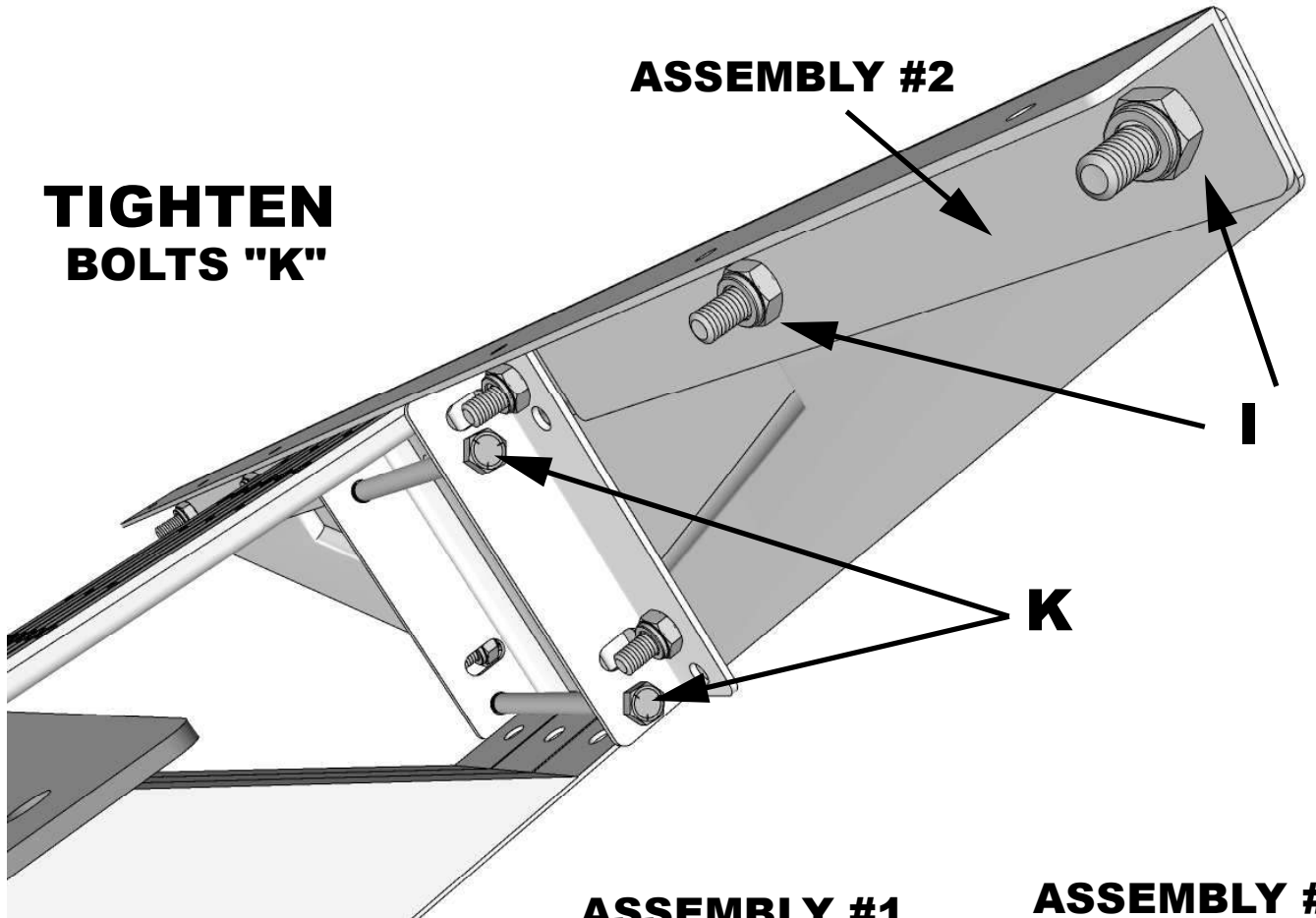


4X

11/16" / 17 mm



**TIGHTEN
BOLTS "K"**

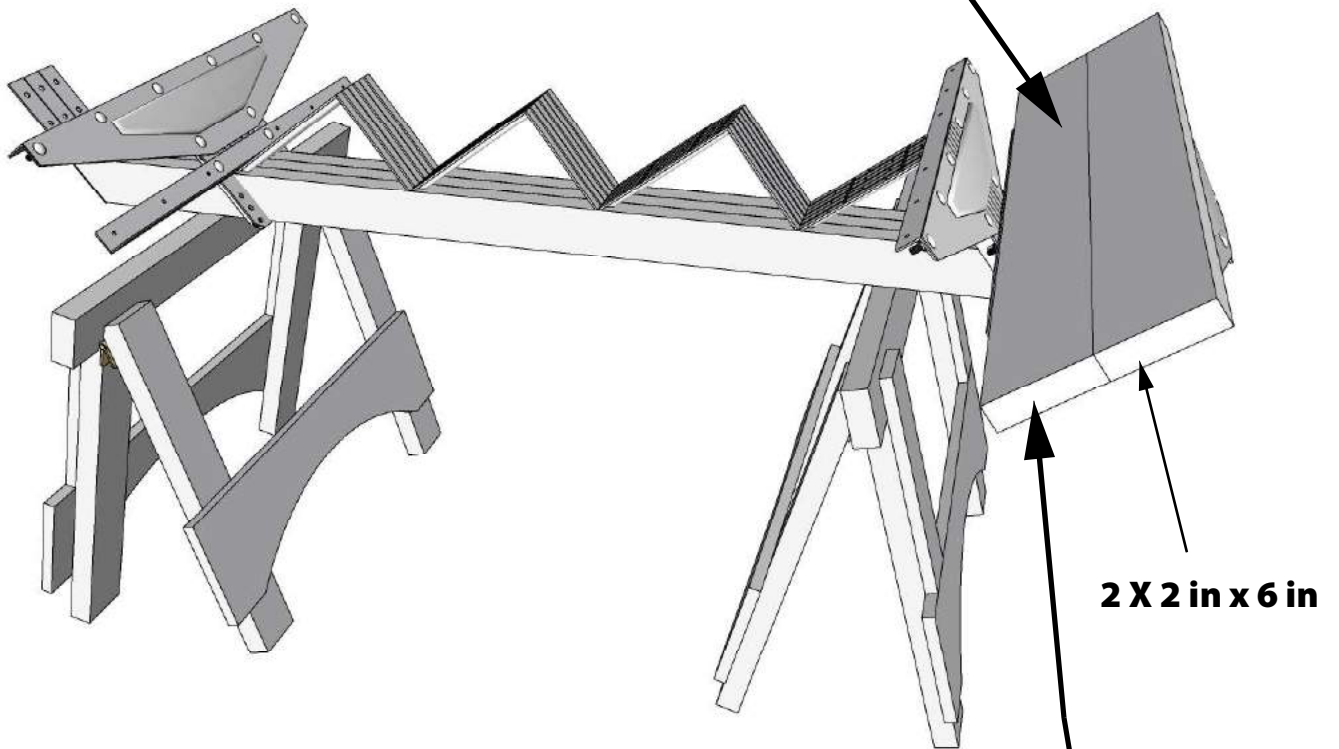


Important : Before step 5 - Make sure all bolts "I" from the 3 assemblies are tighten.

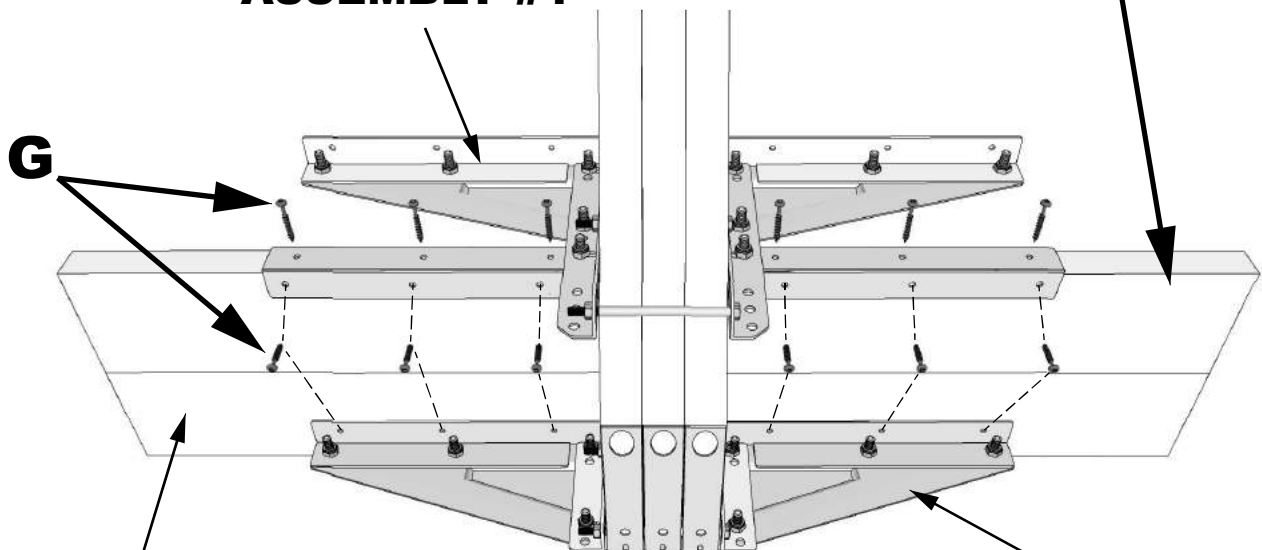
STEP 5



INSTALL THE FIRST STAIR TREAD



ASSEMBLY #1



2 X 2 in x 6 in

ASSEMBLY #2

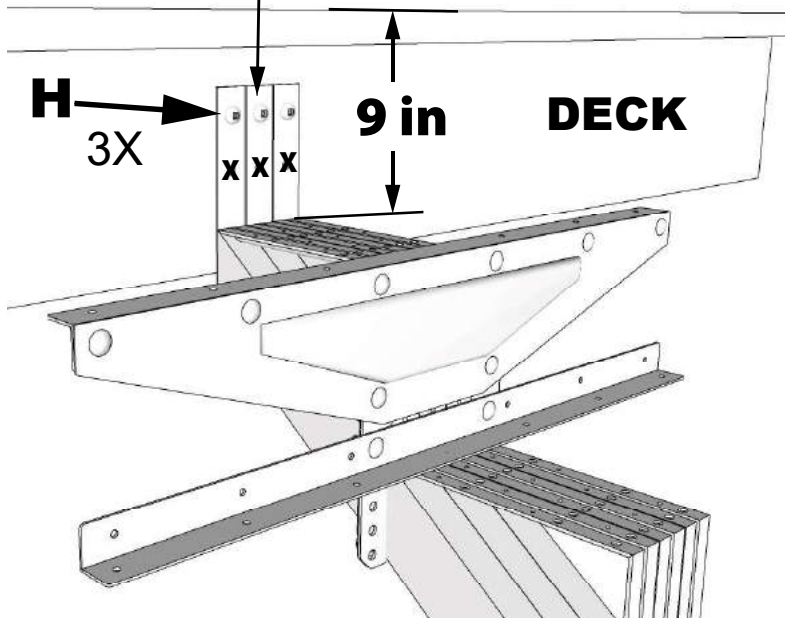
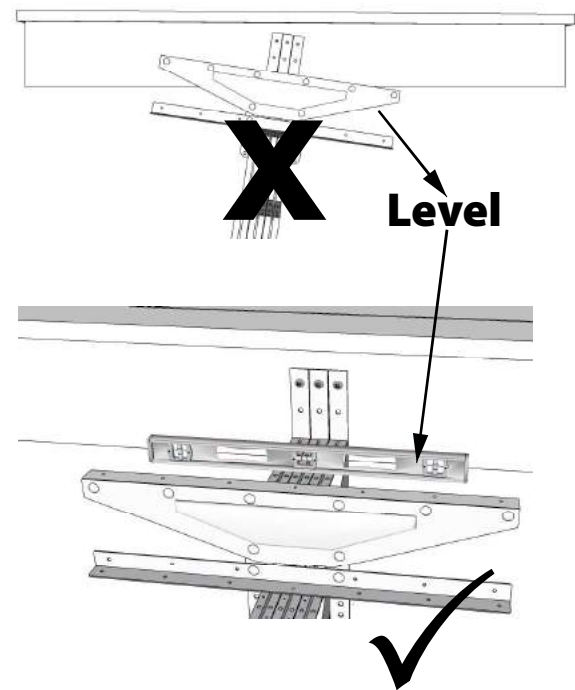
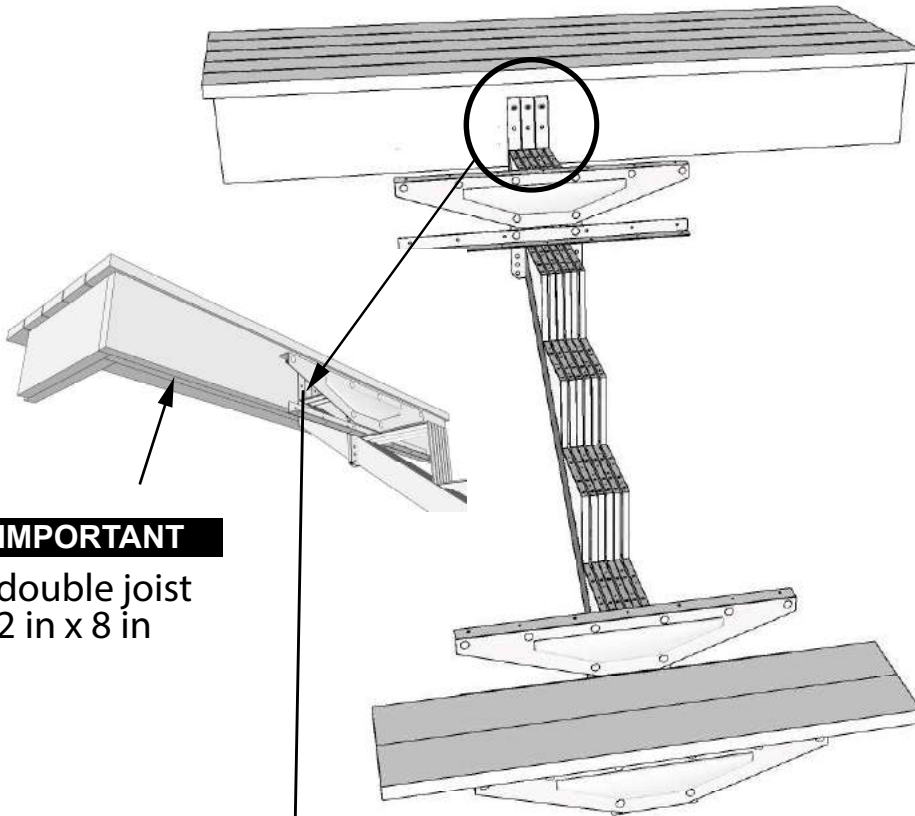
STEP 6



1/16"



FASTEN STEEL STAIR STRINGERS

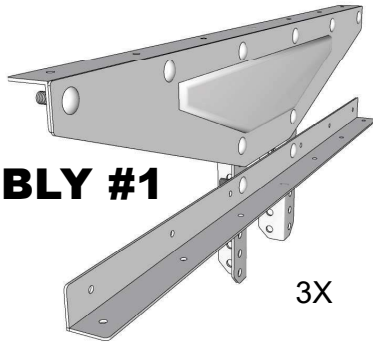


**Pre-Drill • (3 Marks)
with drill bit 1/16 in.**

STEP 7

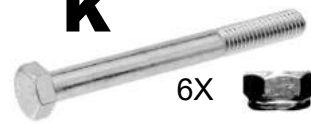


ASSEMBLY #1



3X

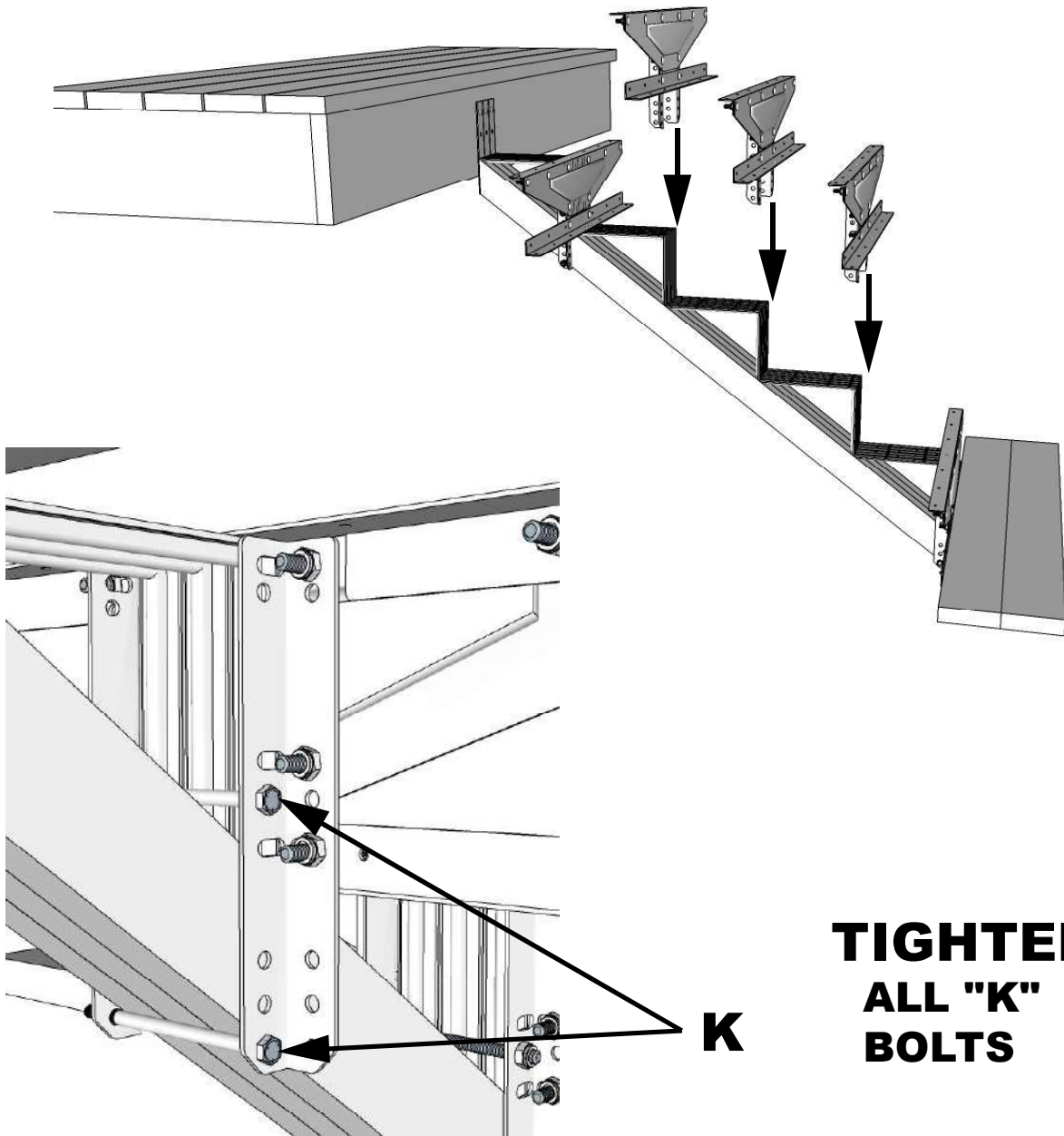
K



6X



1 1/16" / 17 mm



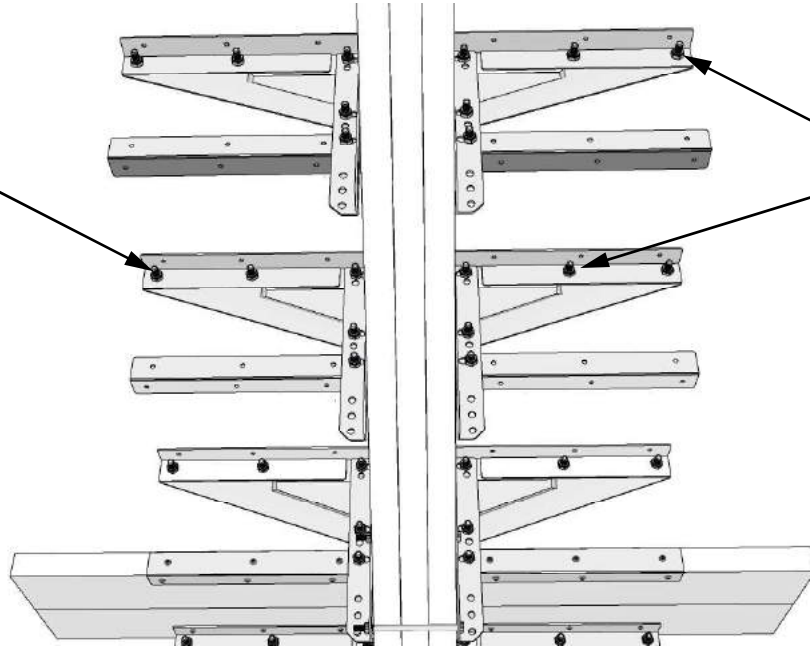
STEP 7 - NEXT



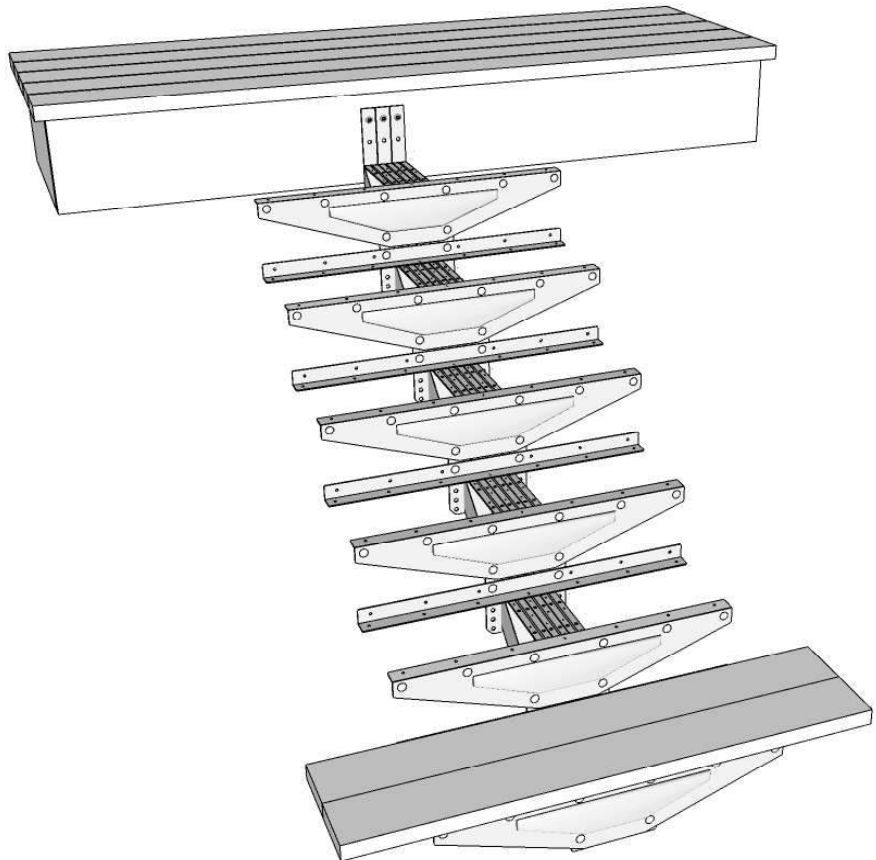
1 1/16" / 17 mm



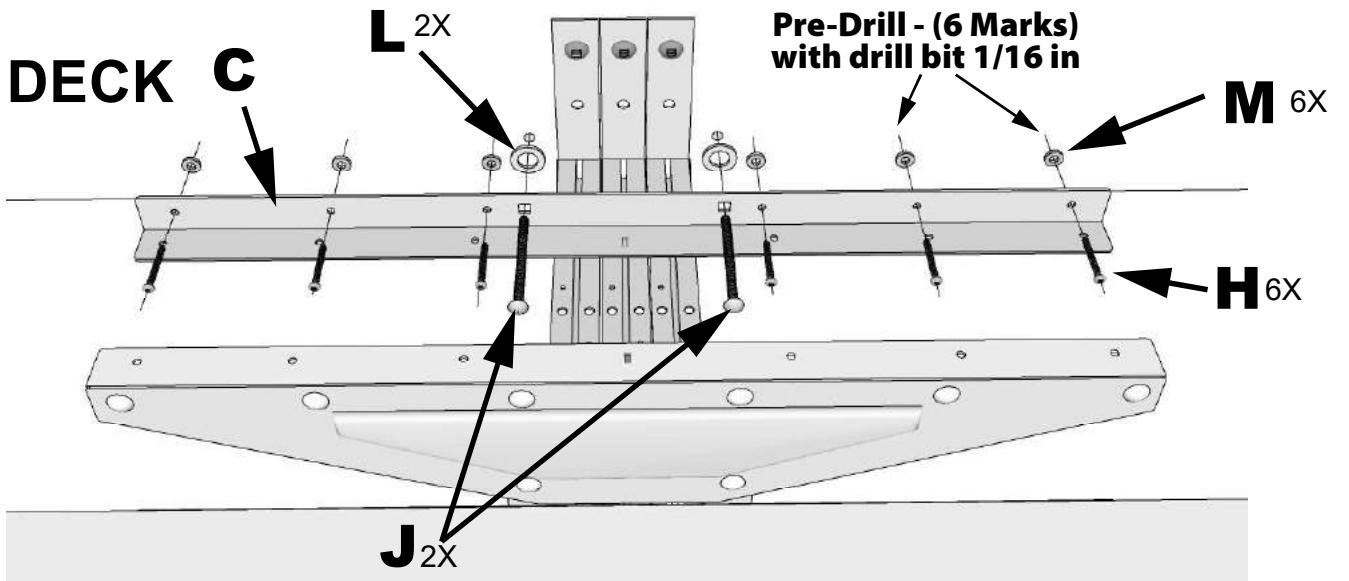
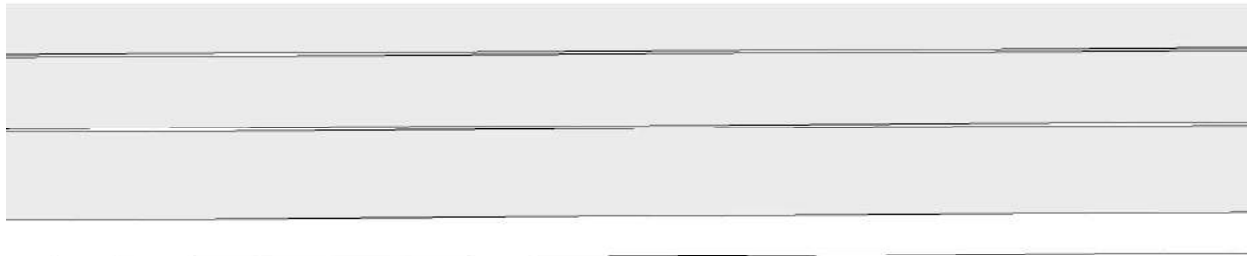
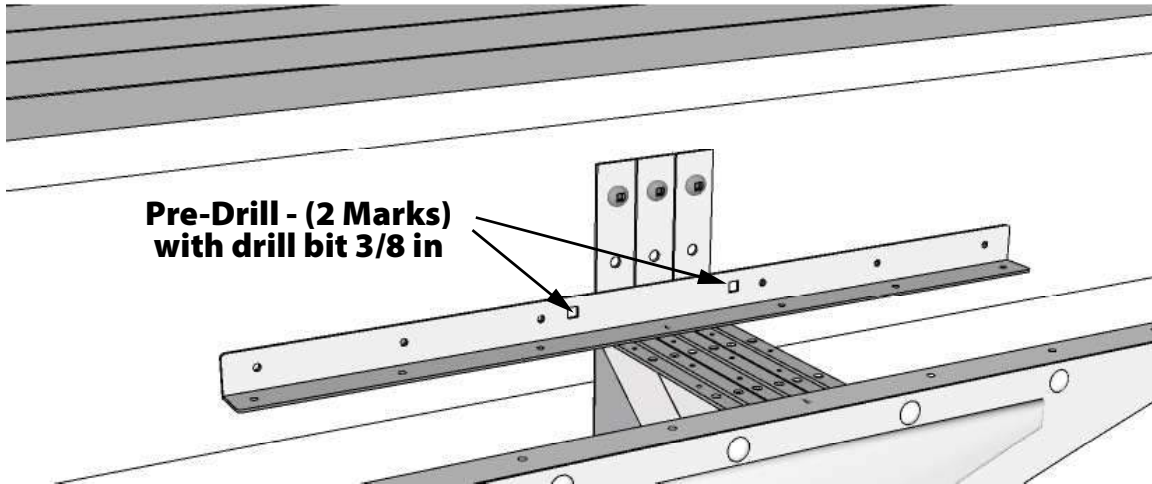
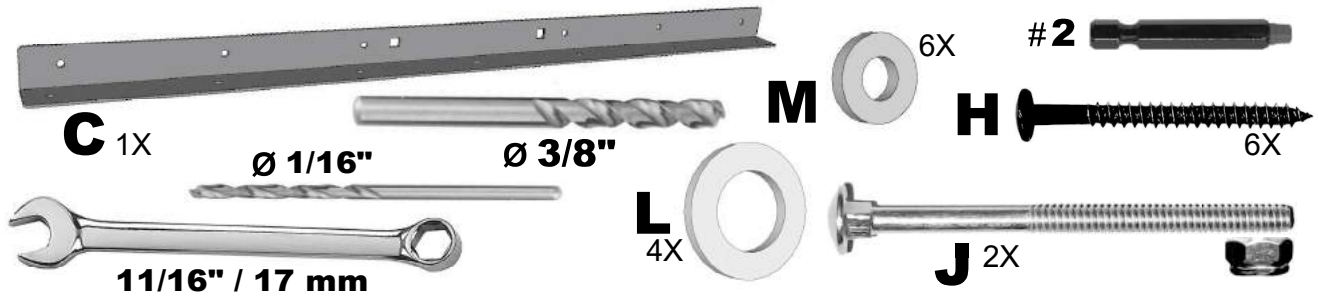
**TIGHTEN
ALL "I"
BOLTS**



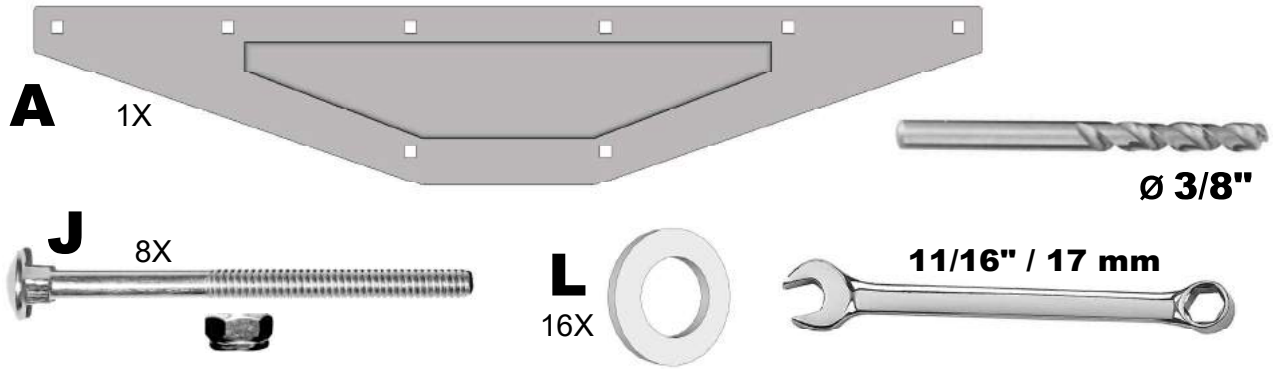
**I
EACH
STEPS**



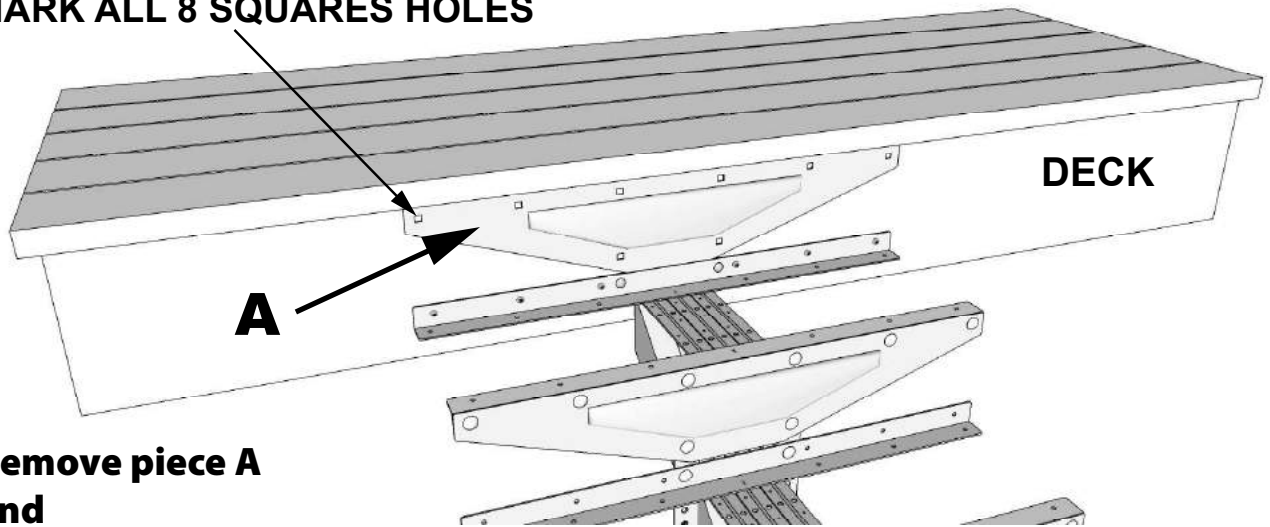
STEP 8



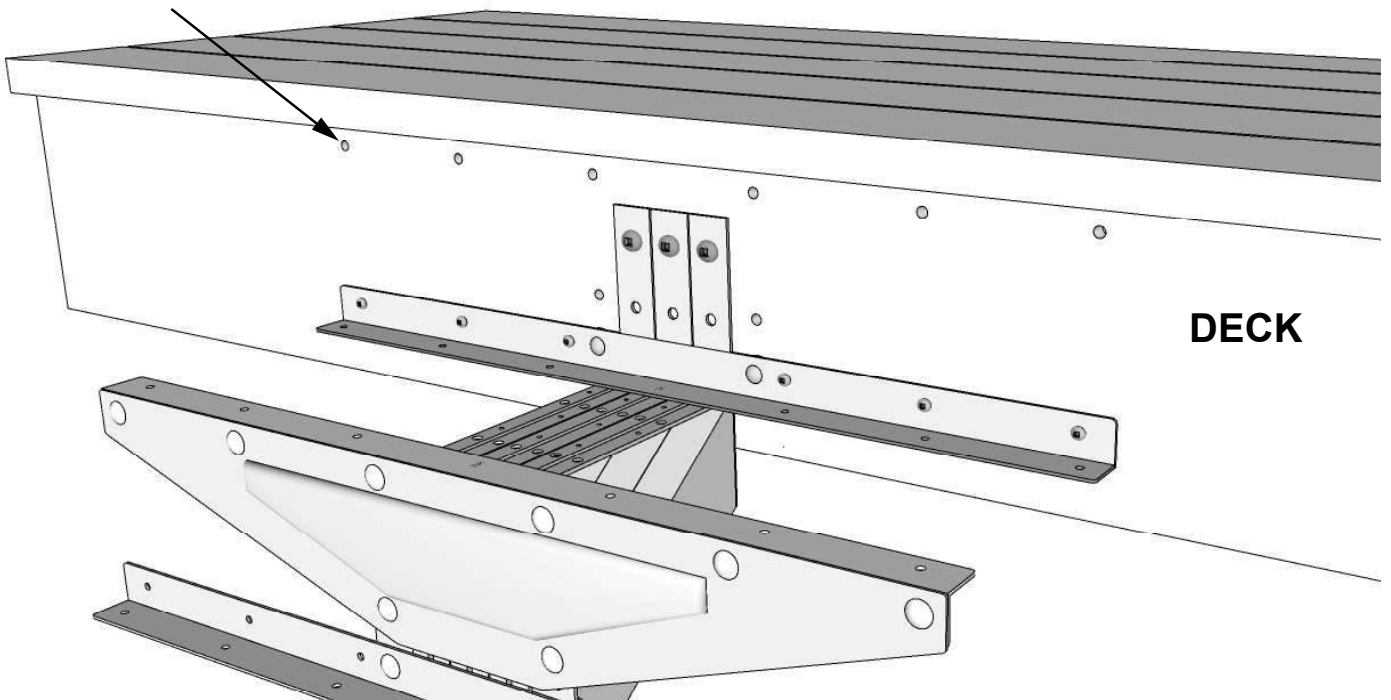
STEP 9

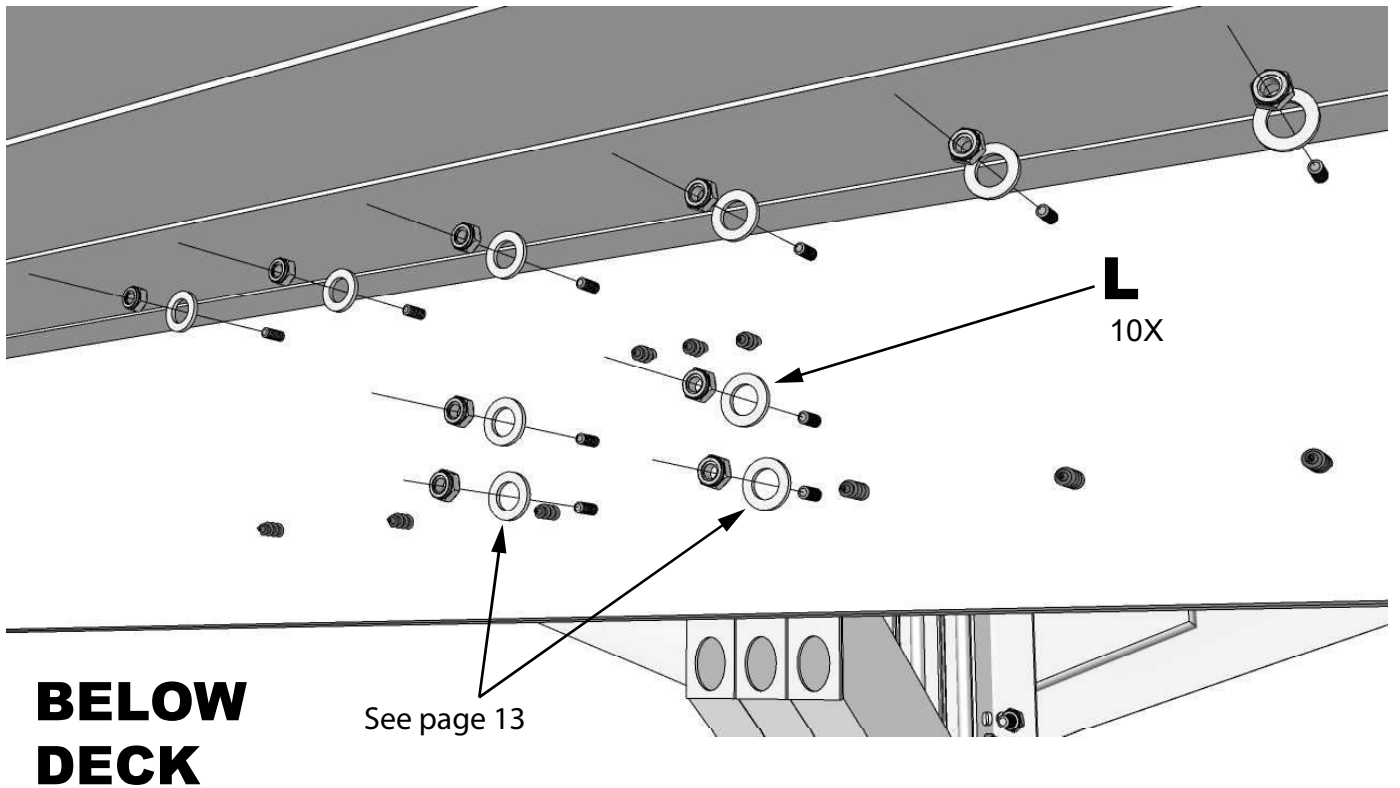
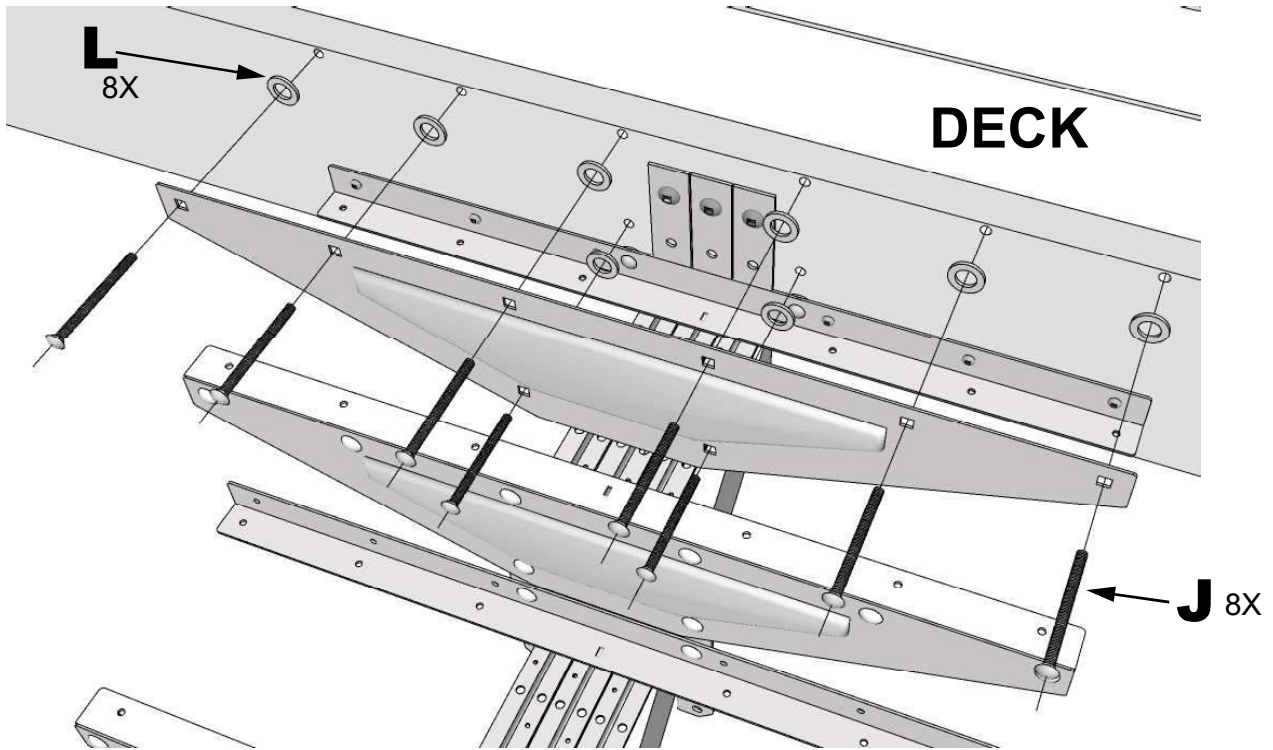


MARK ALL 8 SQUARES HOLES



**Remove piece A
and
Pre-Drill • (8 Marks)
with drill bit 3/8 in.**

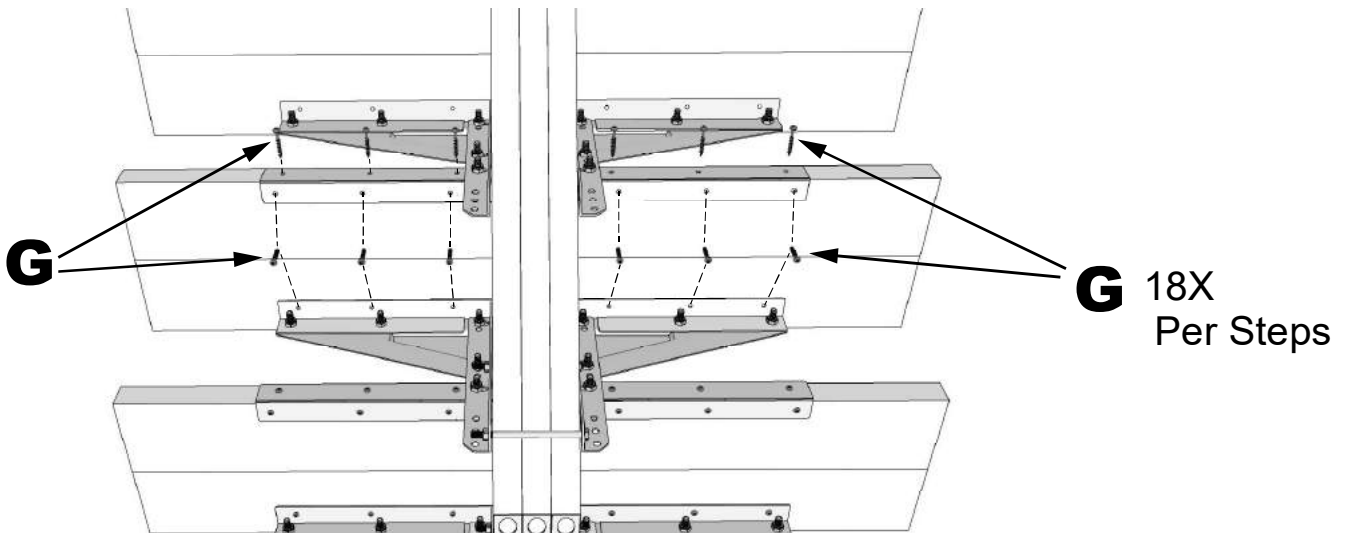
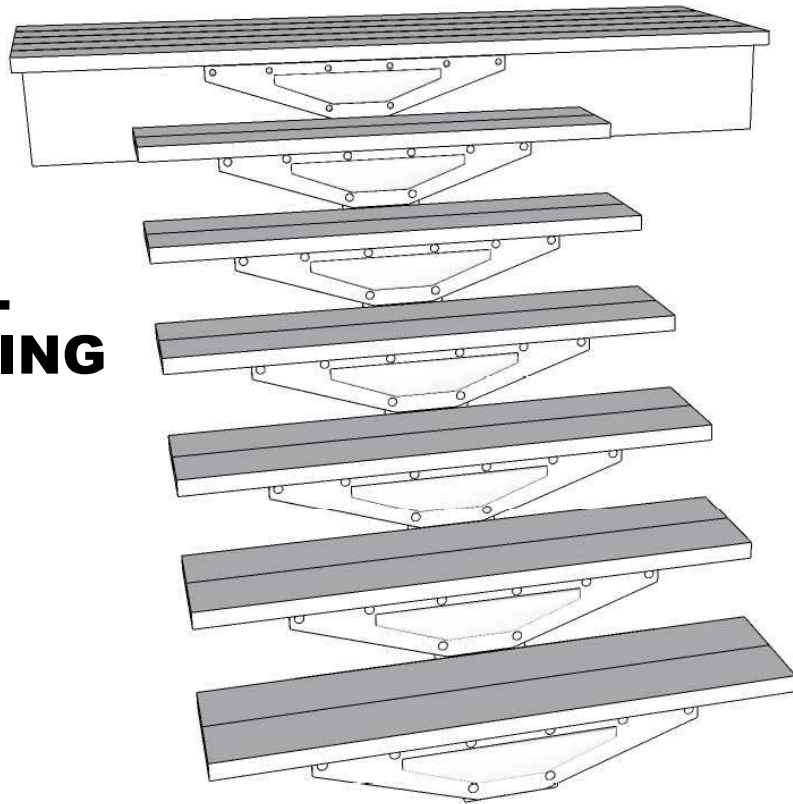




STEP 10



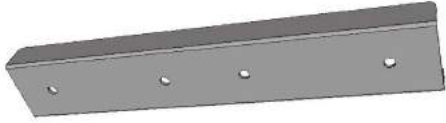
**INSTALL
REMAINING
STAIR
TREADS**



STEP 11



F



2X per tread

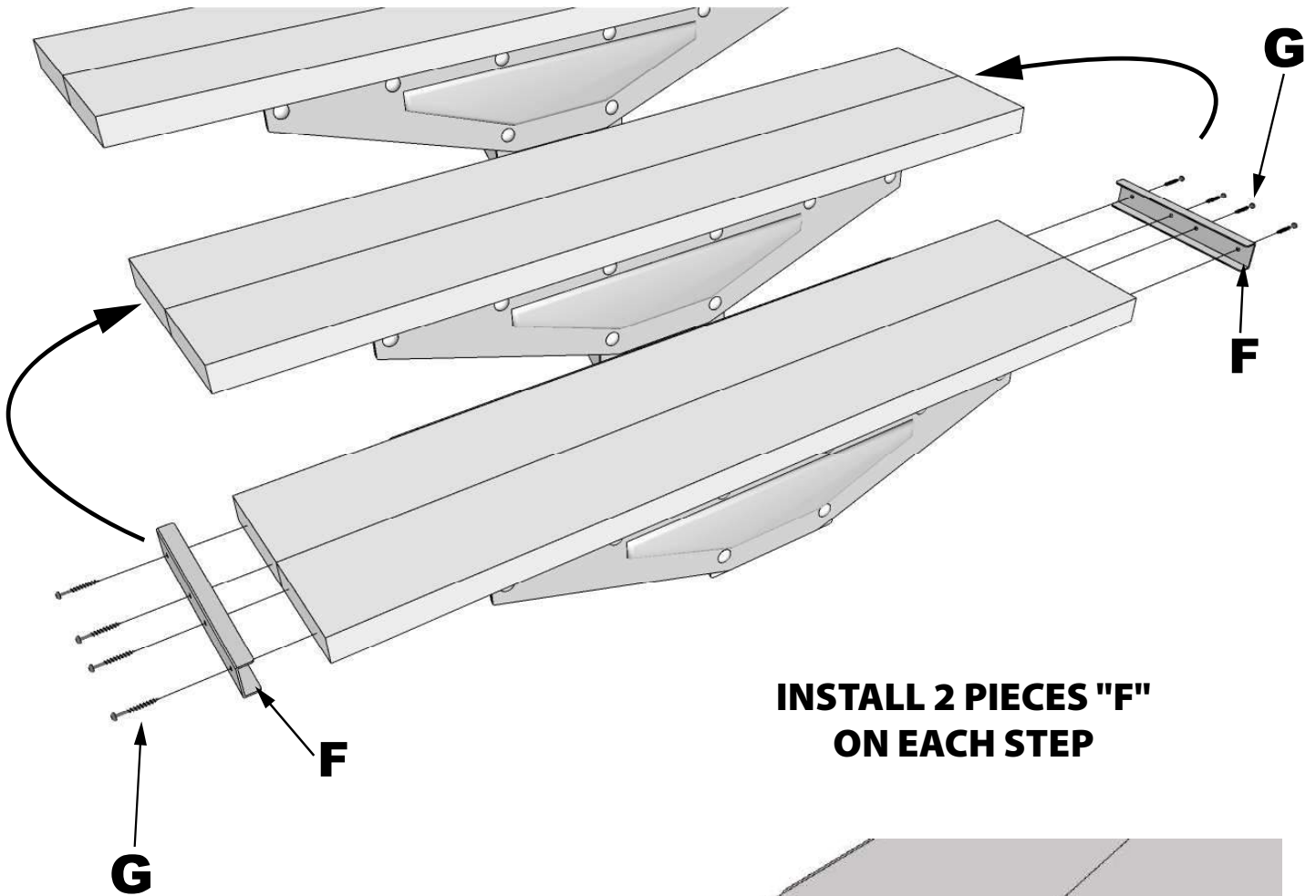
#2



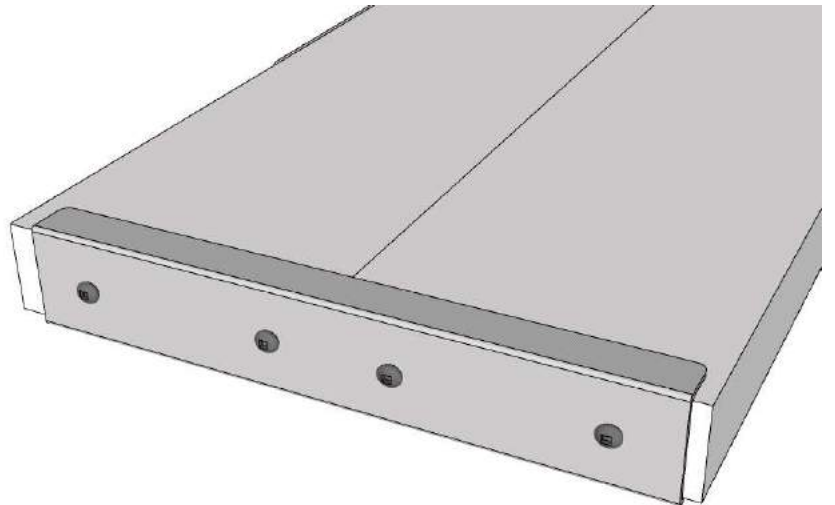
G



8X



**INSTALL 2 PIECES "F"
ON EACH STEP**





RATE US!



Satisfied with your Pylex product?

Please let us know by sharing pictures with us at info@pylex.com

You can also write a review online about your purchase. Thank you!

(By sending your photos, you authorize Pylex to use them in order to show them on our website and other Pylex projects).

Thank you!

YOU LIKED OUR PRODUCT?

Visit our website: www.pylex.com to see all our products or scan this QR code to have access to our catalog!



Follow us on:

