

Here is the most recent version of the installation video



Here you have the most recent version of the installation guide



INSTALLATION GUIDE

STORAGE DRAWER

12080



Question? - Contact us:

First contact our friendly customer service team for assistance.

Email: info@pylex.com or call: 1-800-264-1881

Monday to Friday: 8:30am to 4:30pm UTC

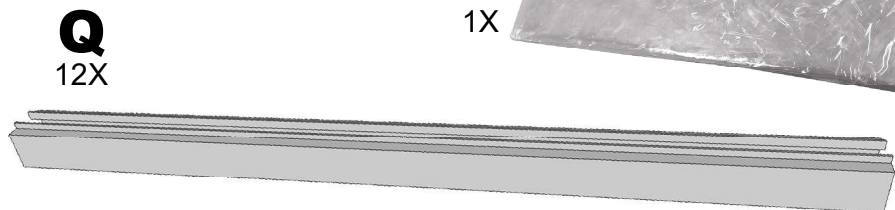
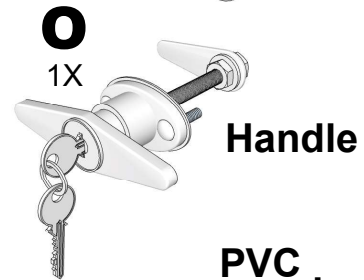
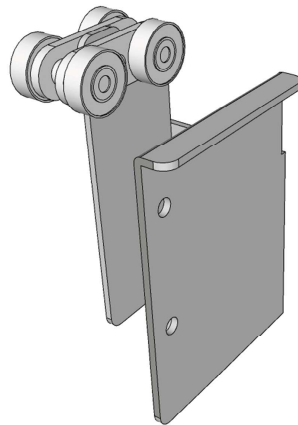
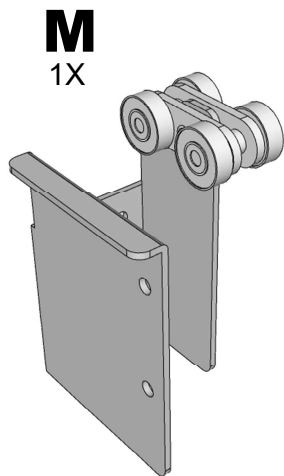
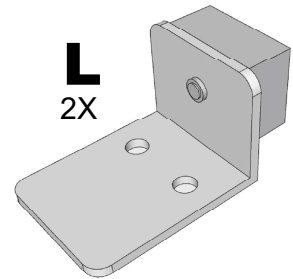
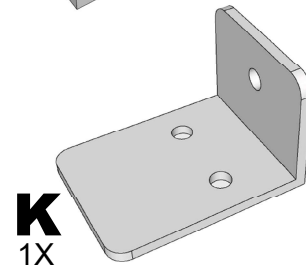
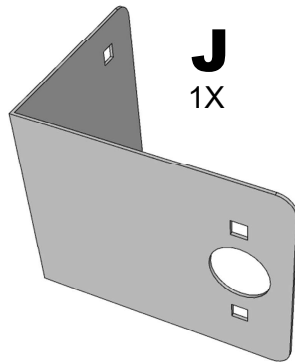
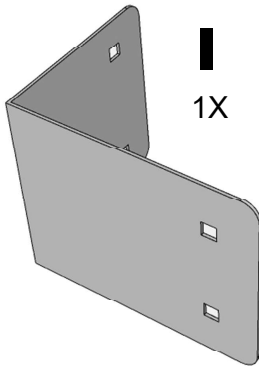
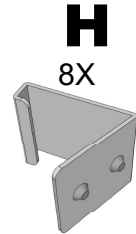
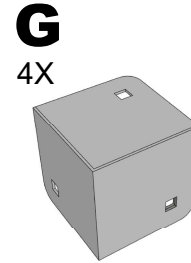
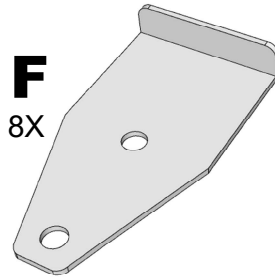
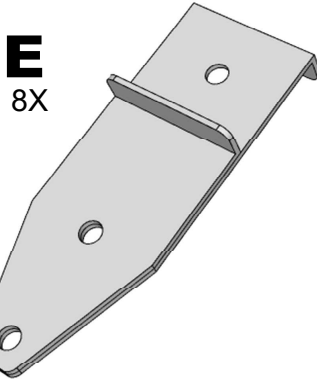
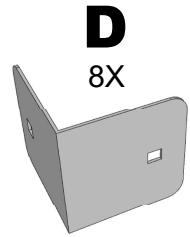
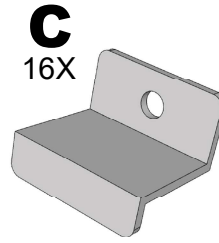
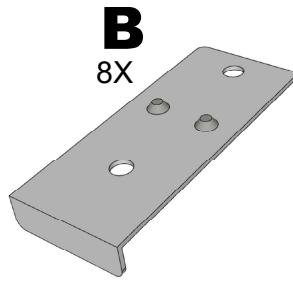
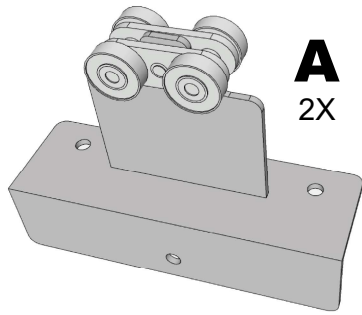
Replacement for damaged or missing parts will be shipped promptly.

Rev.: 32-0301



DECK AND FENCE HARDWARE
WWW.PYLEX.COM / 1 800-264-1881

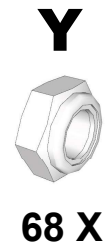
PART LIST



PVC membrane

Q
12X

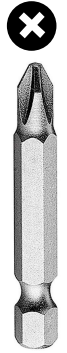
SCREWS AND BOLTS



∅ 1/4 in



Tools included



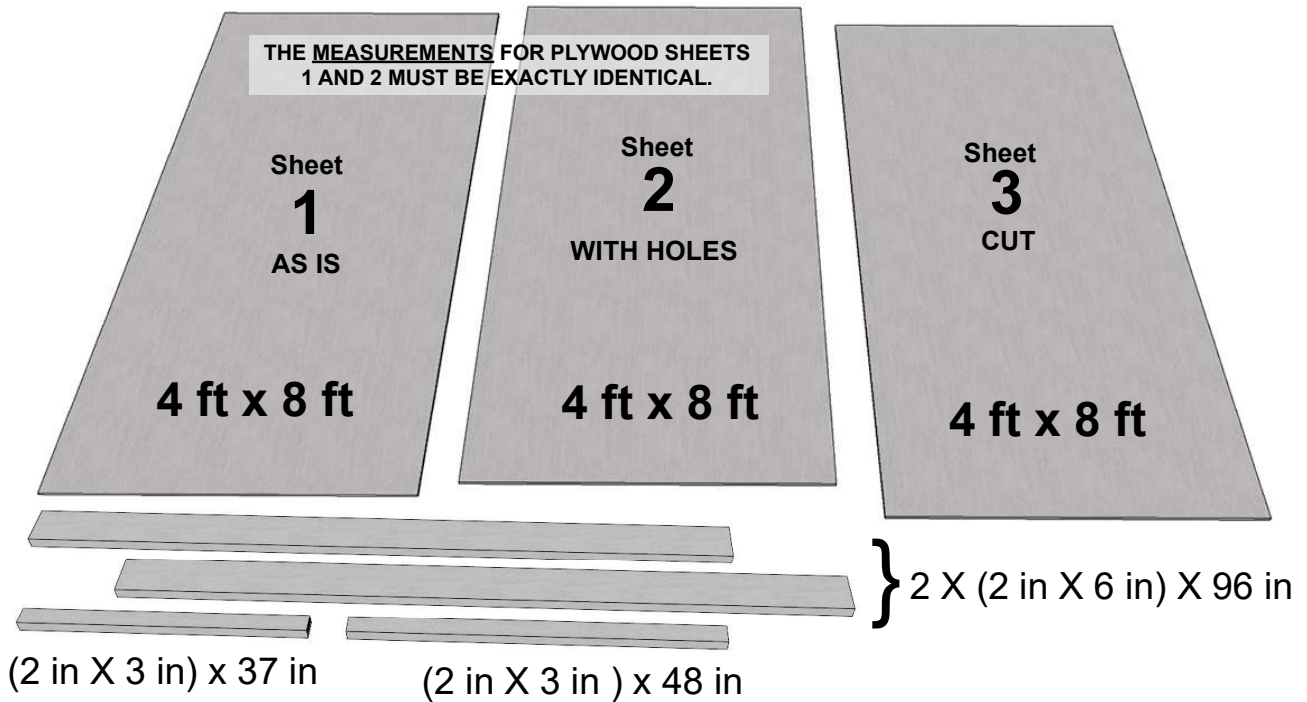
TOOLS REQUIRED



PLYWOOD - WOOD - REQUIRED (Not Included)

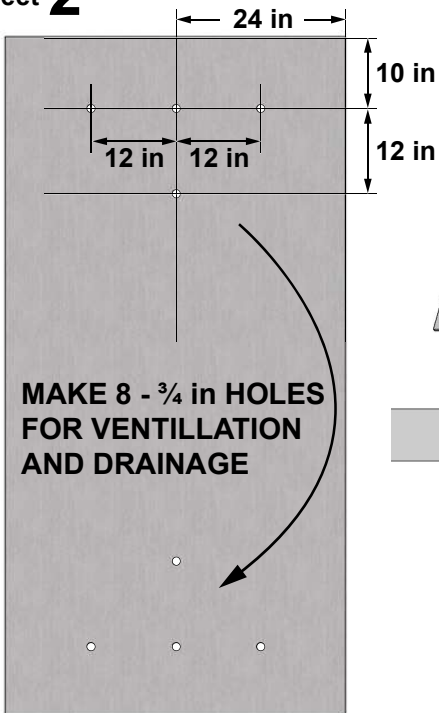
Plywood thickness : 1/2 in

EXAMPLE FOR A STANDARD DRAWER
4 ft WIDE X 8 ft DEEP X 16 in HIGH.

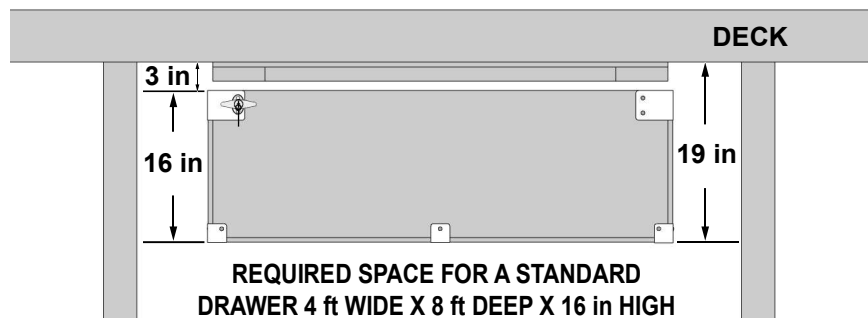
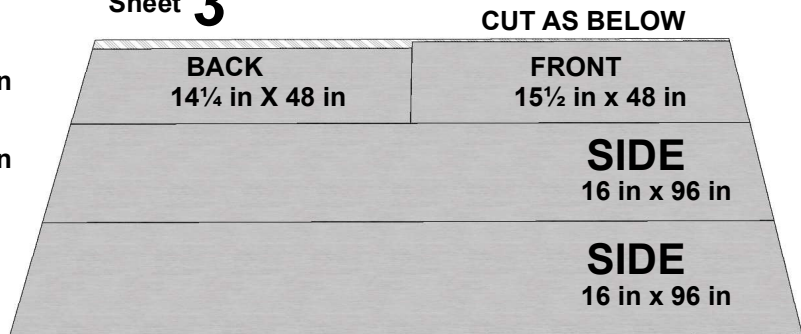


PLYWOOD - CUT LIST

Sheet 2

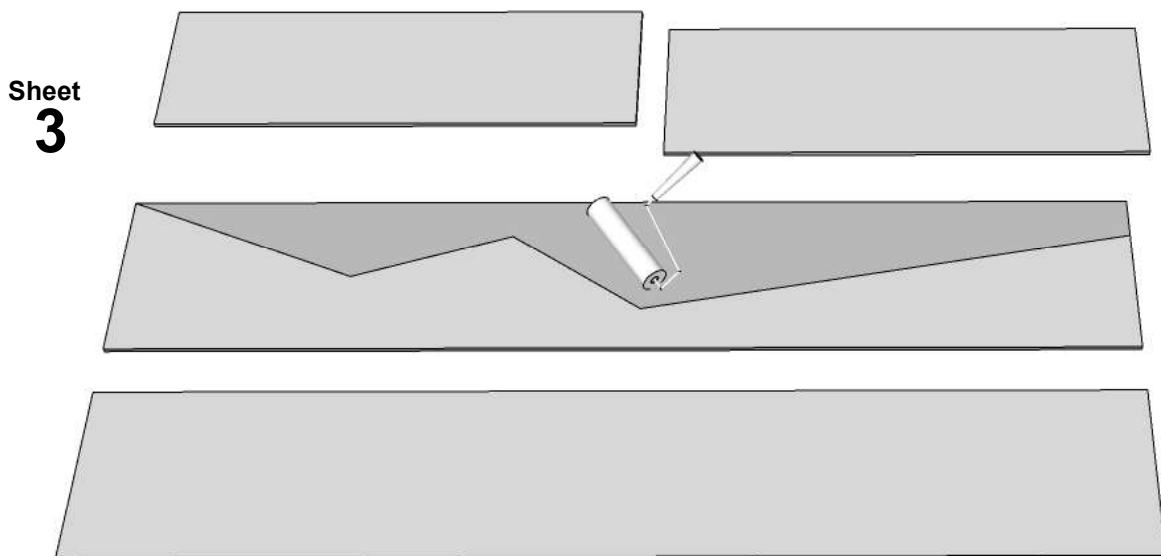
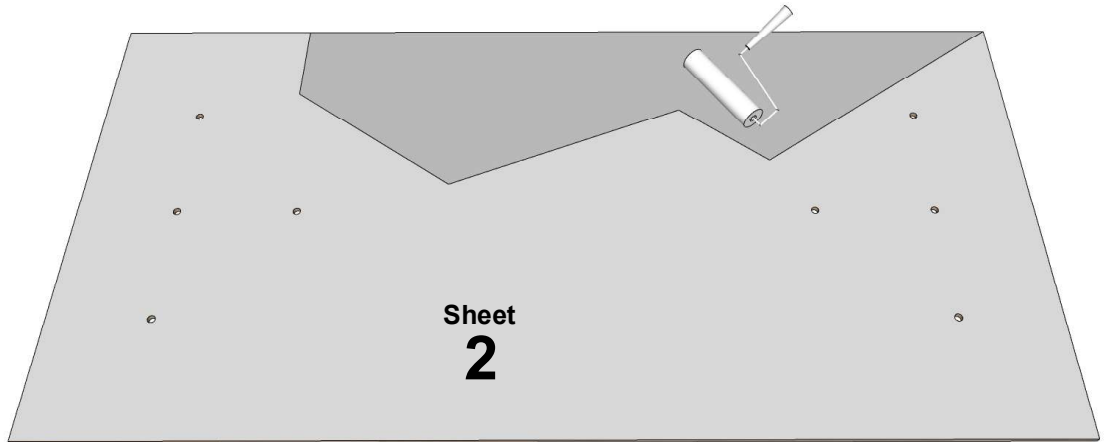
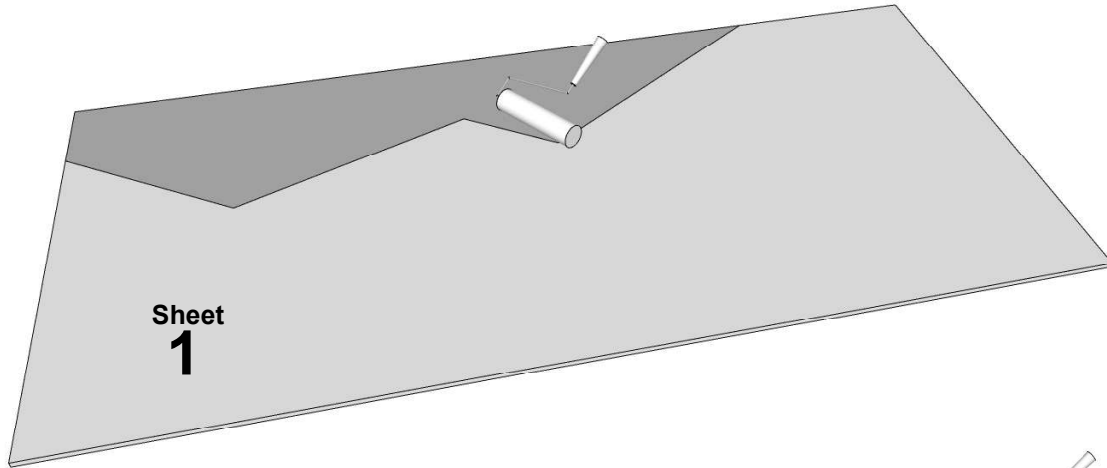


Sheet 3



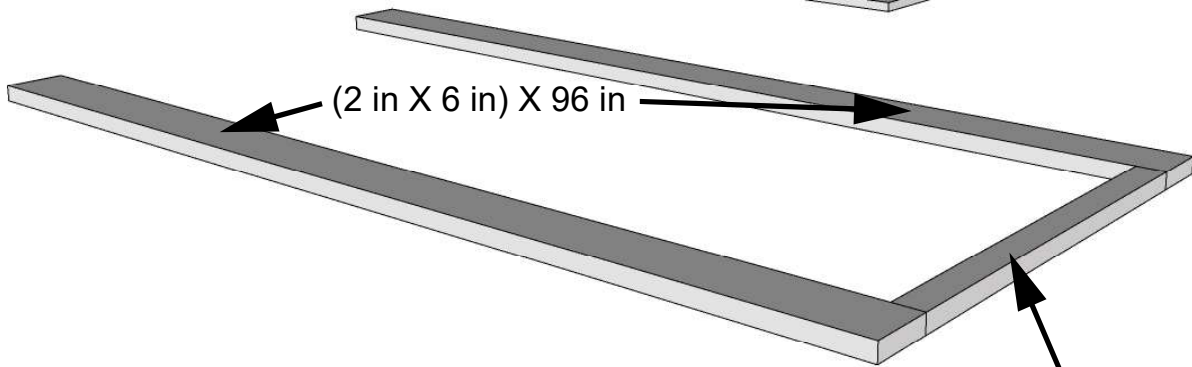
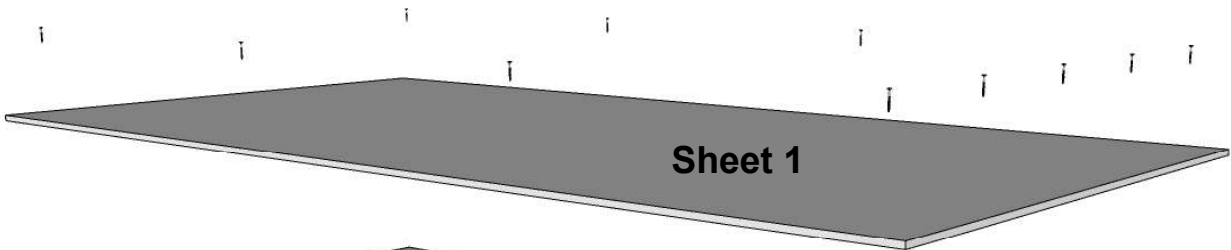
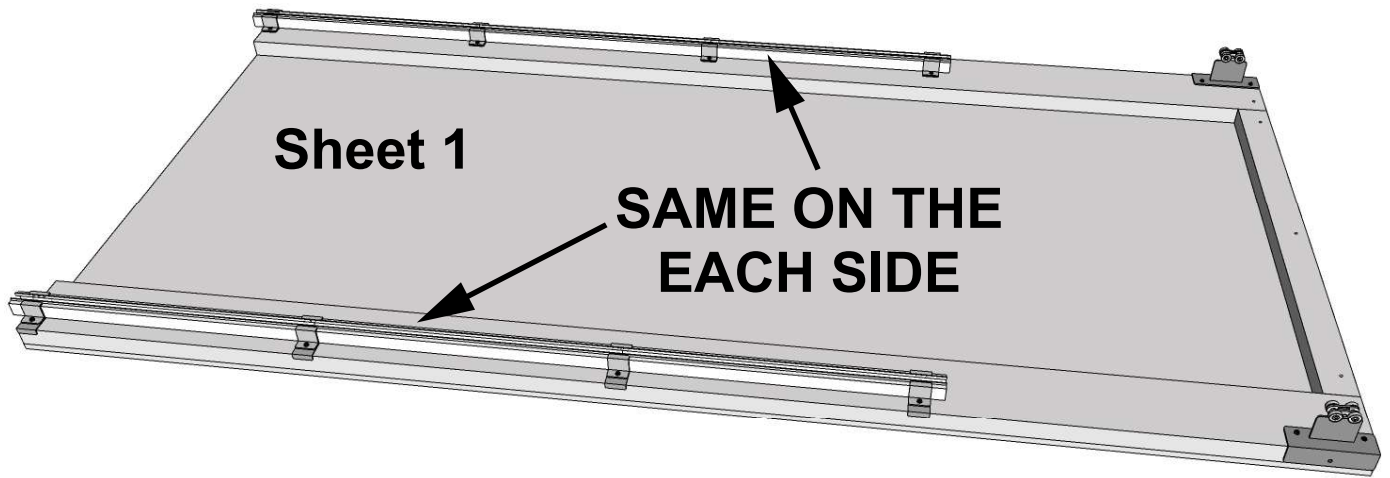
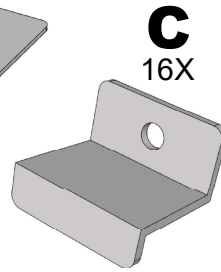
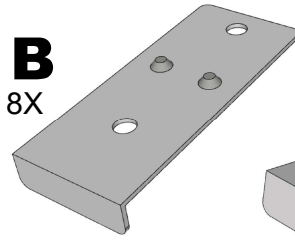
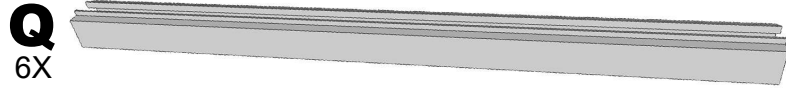
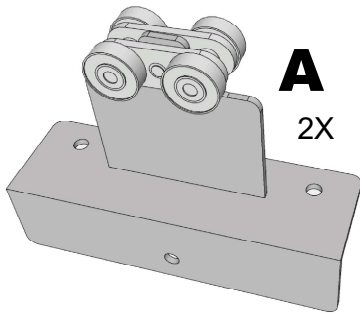
PROTECTING THE PLYWOOD

PROTECTING THE WOOD IS RECOMMENDED
IN ORDER TO EXTEND ITS LIFESPAN.

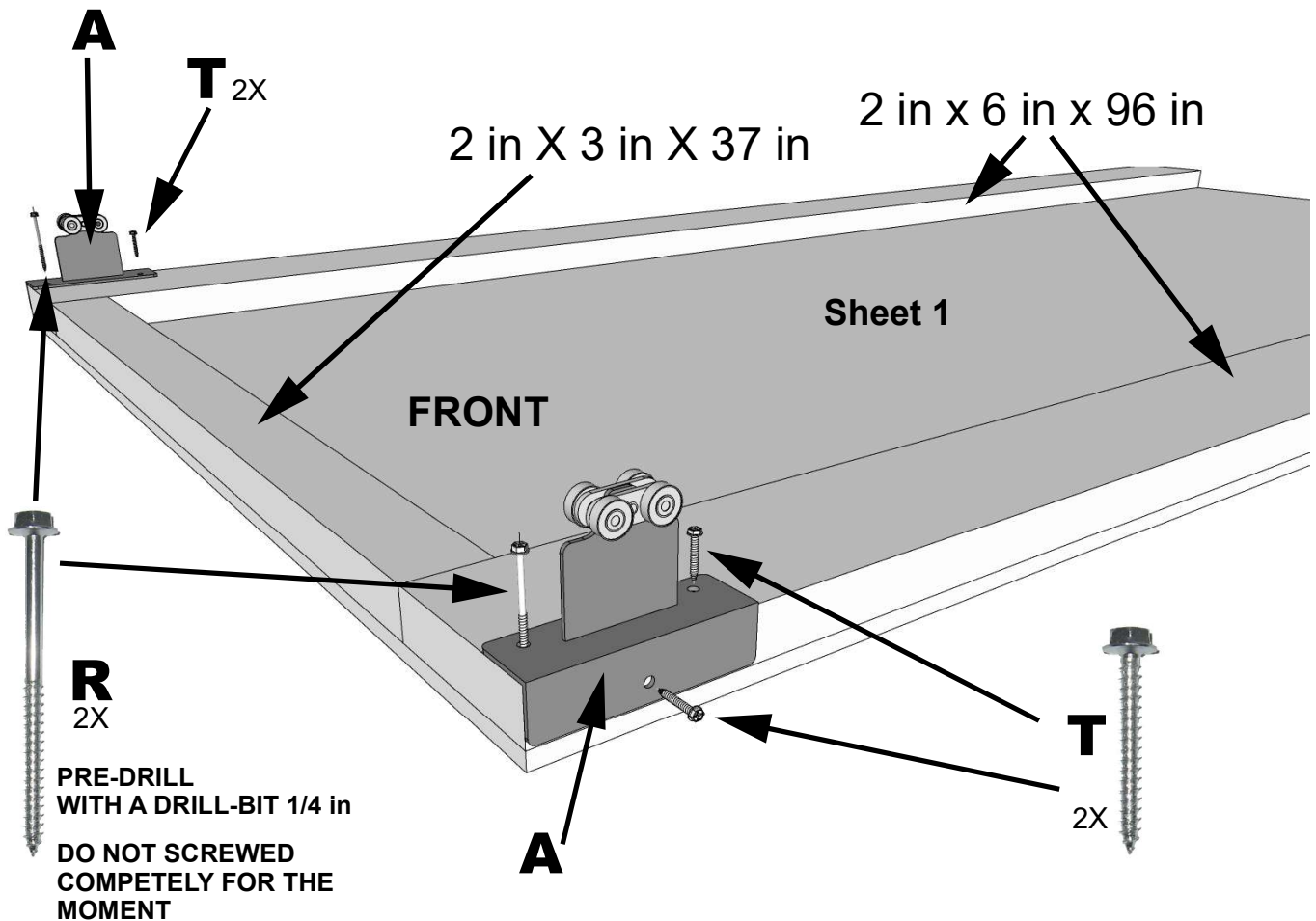
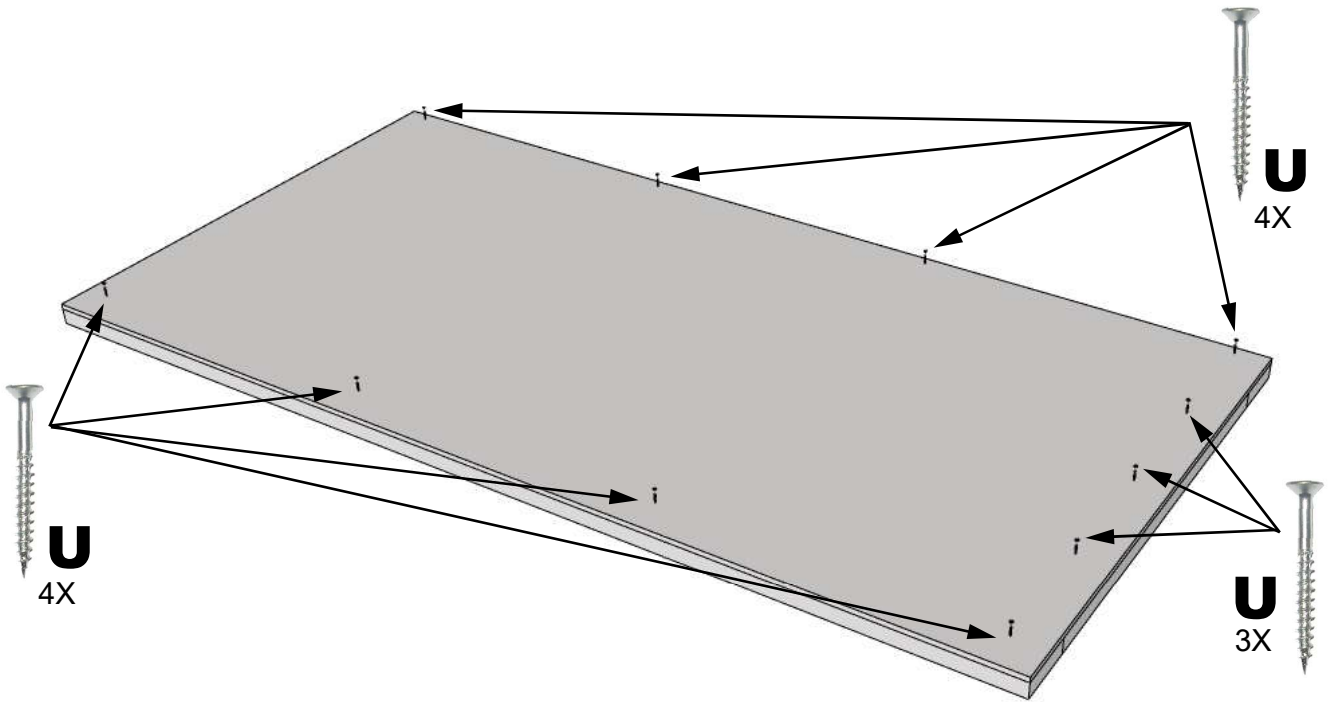


ALL OF FACES

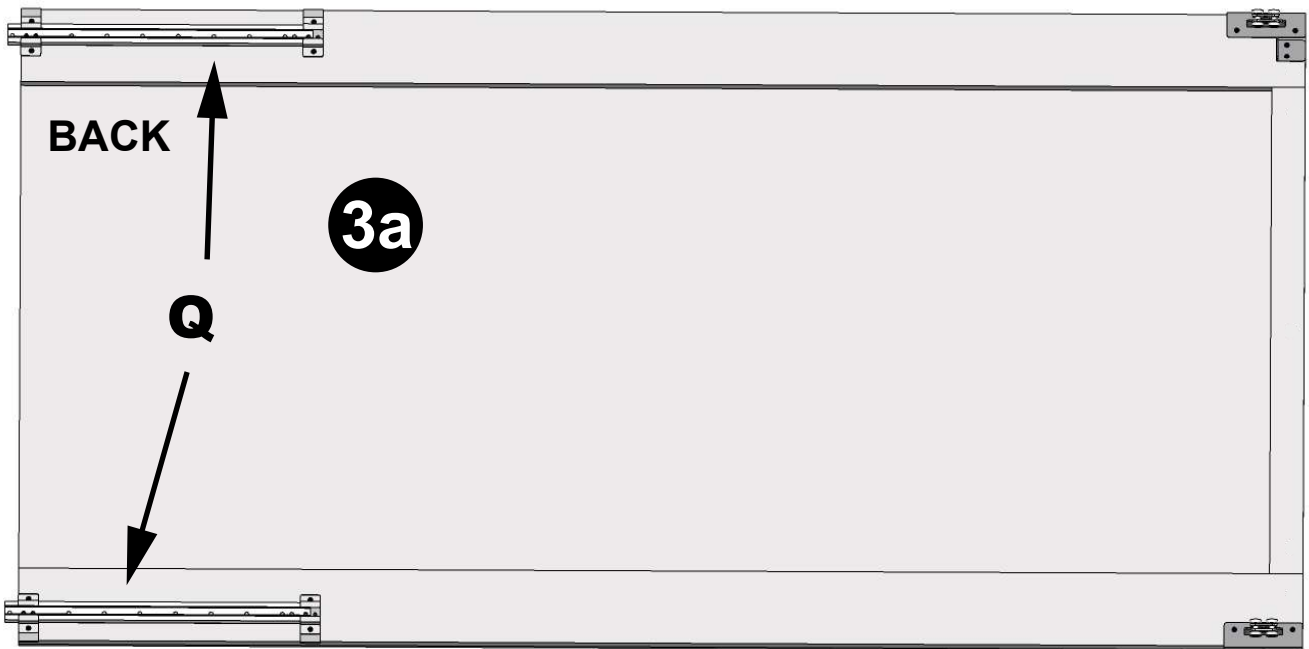
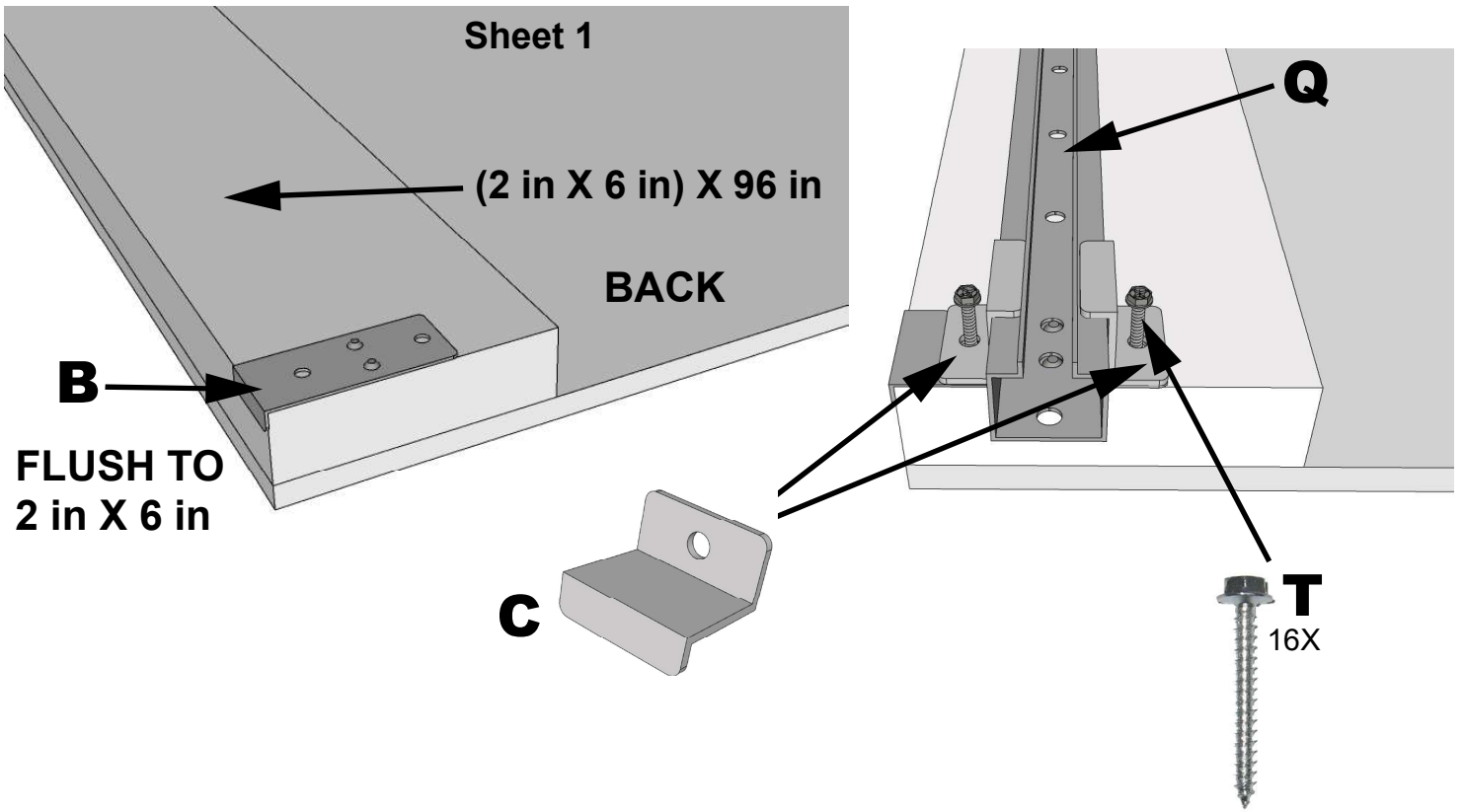
STEP 1 - ASSEMBLY OF THE TOP PART



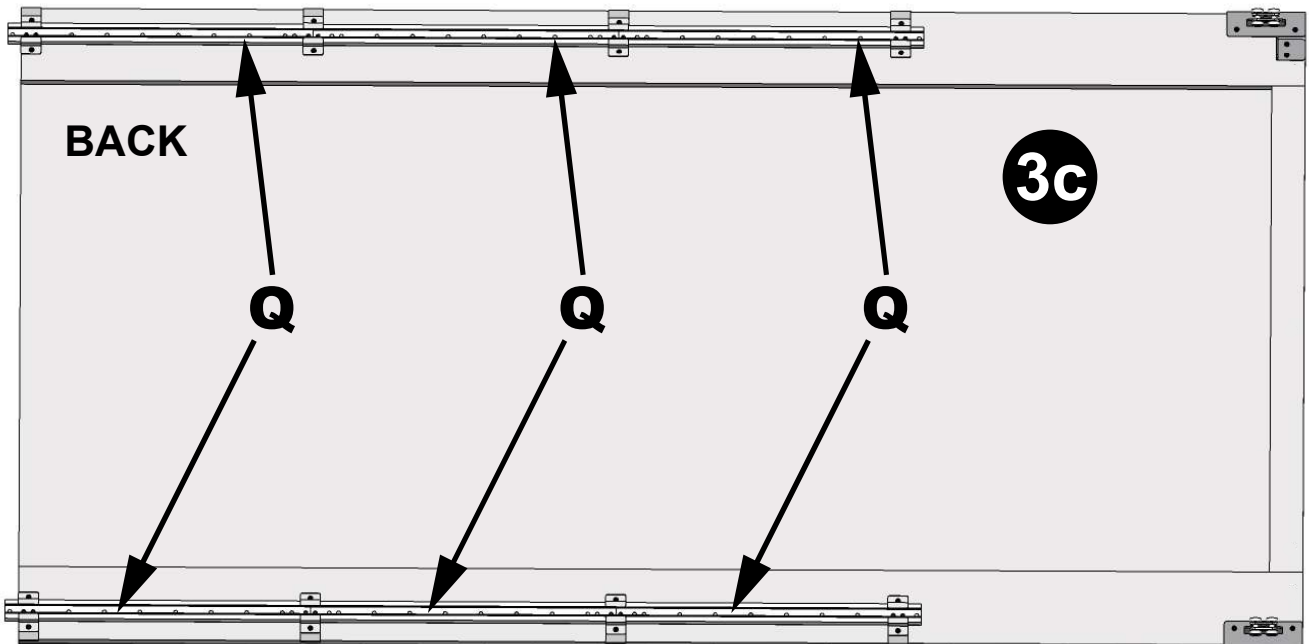
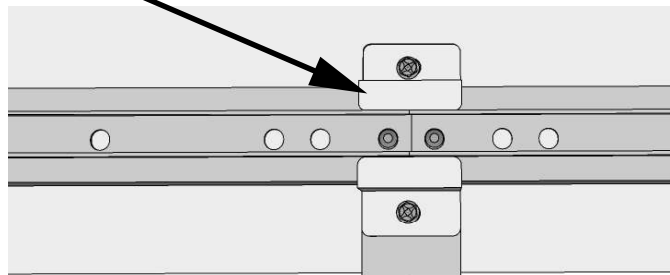
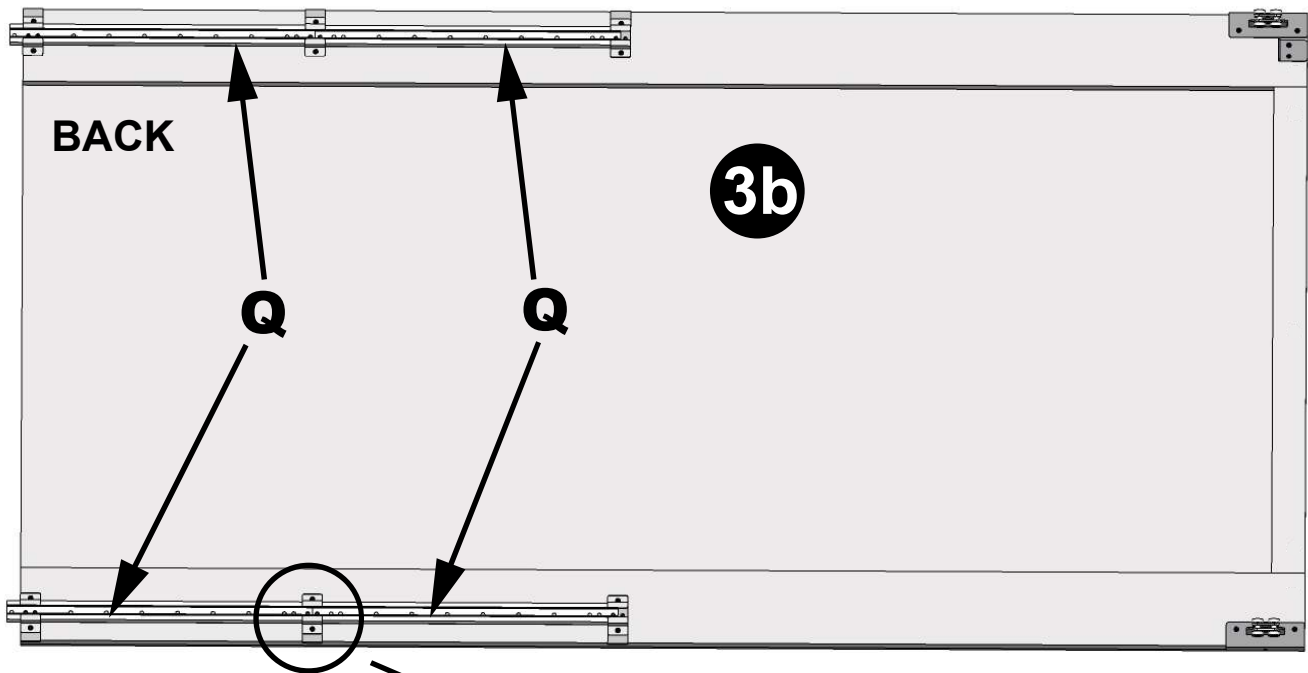
STEP 2 - ASSEMBLY OF THE TOP PART



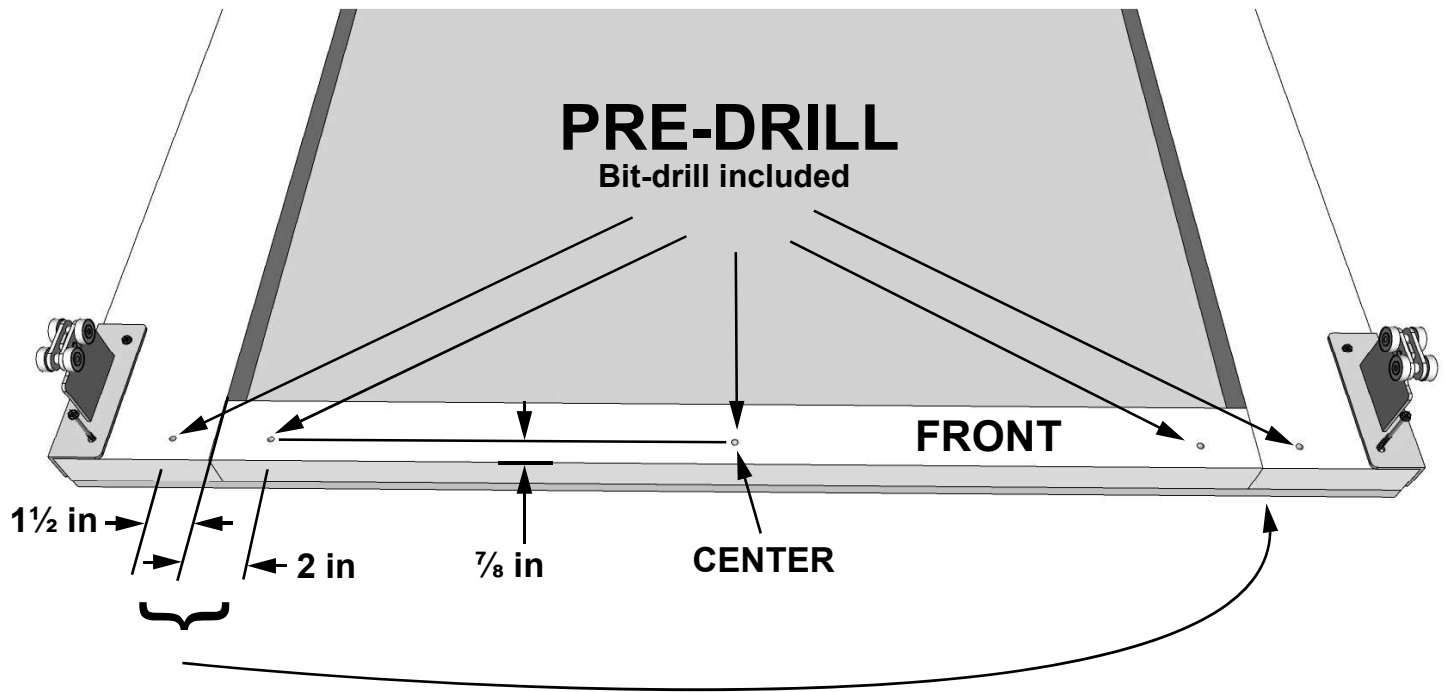
STEP 3 - ASSEMBLY OF THE TOP PART



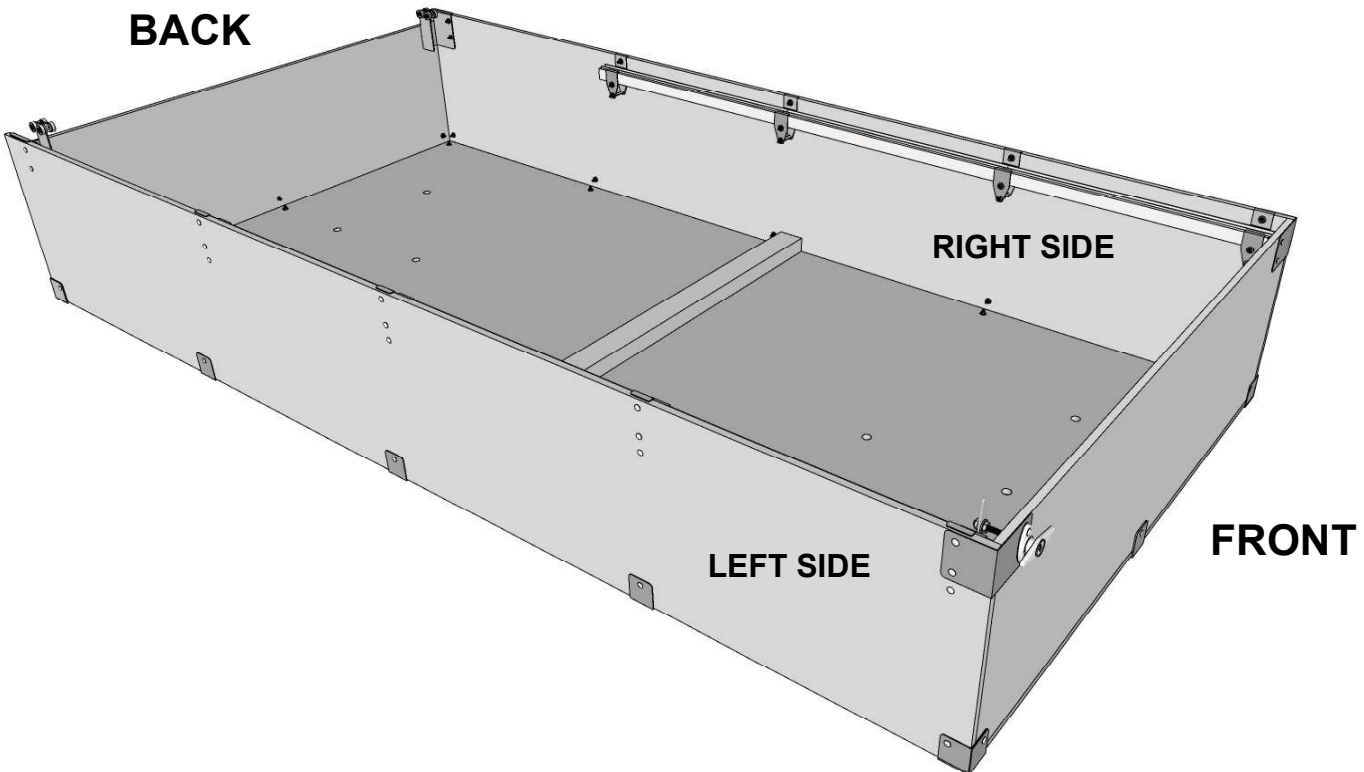
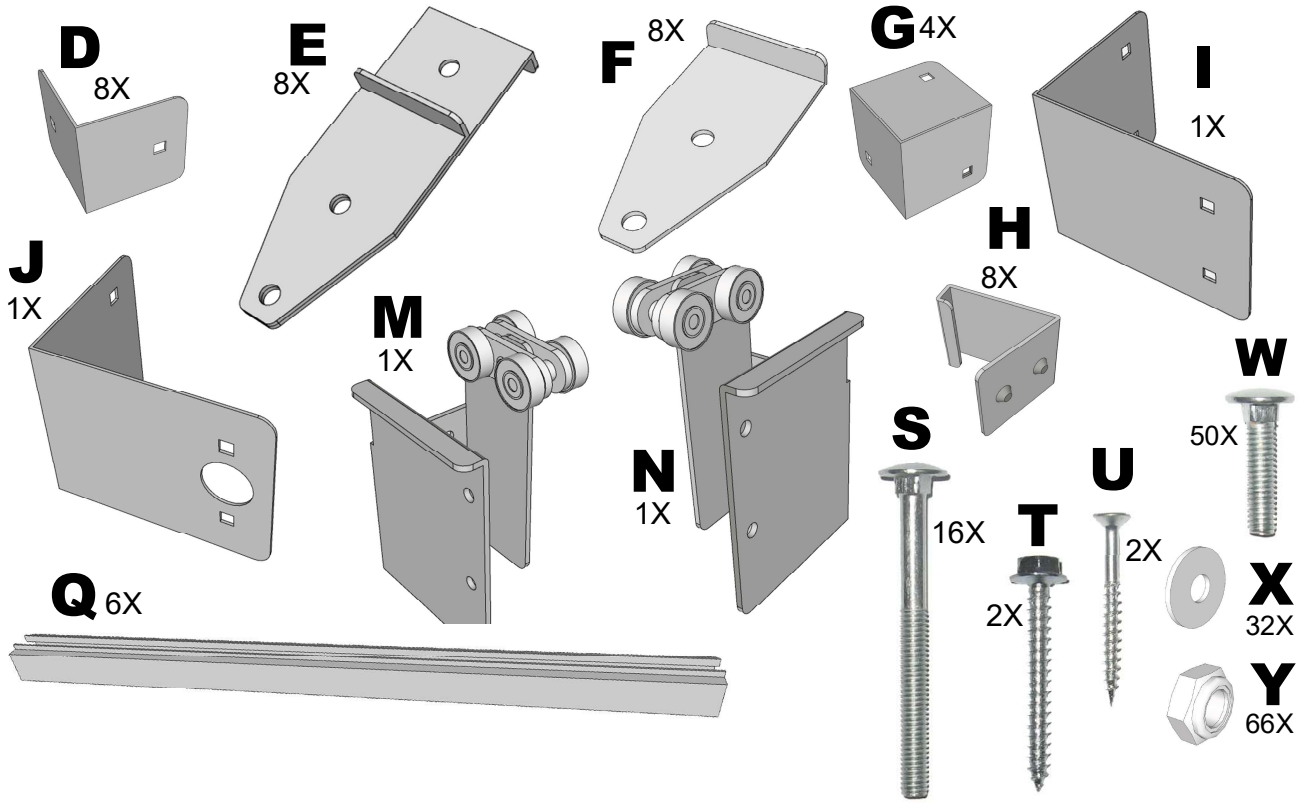
STEP 3 NEXT - ASSEMBLY OF THE TOP PART



STEP 4 - ASSEMBLY OF THE TOP PART

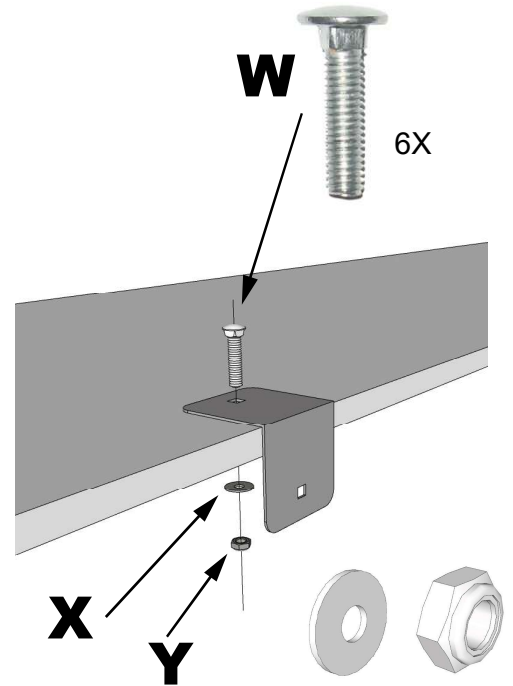
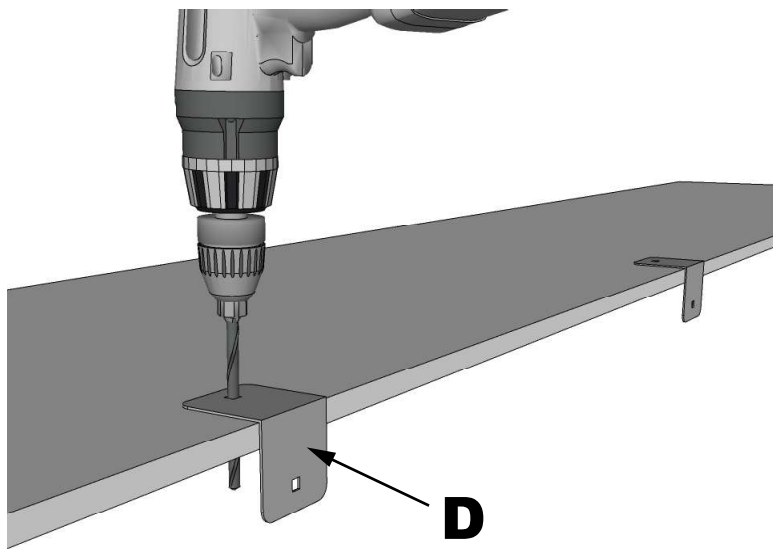
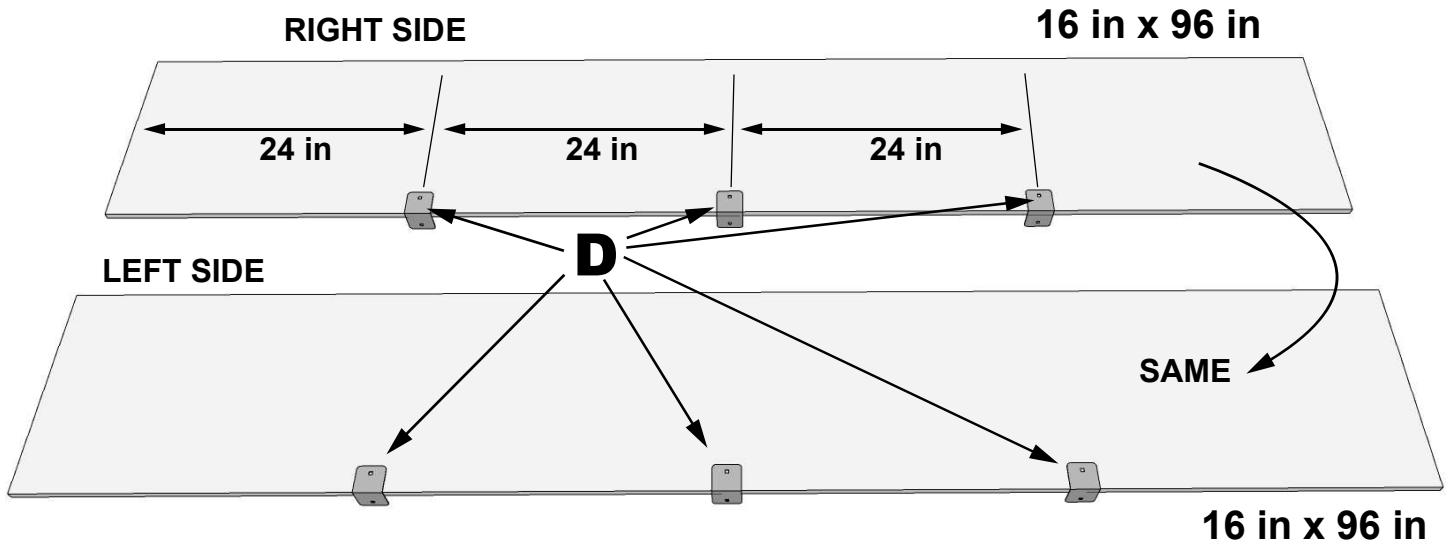


STEP 1 - ASSEMBLY OF DRAWER



IMPORTANT : PRE-DRILL ALL THE HOLES WHO USED THE BOLTS (S and W)

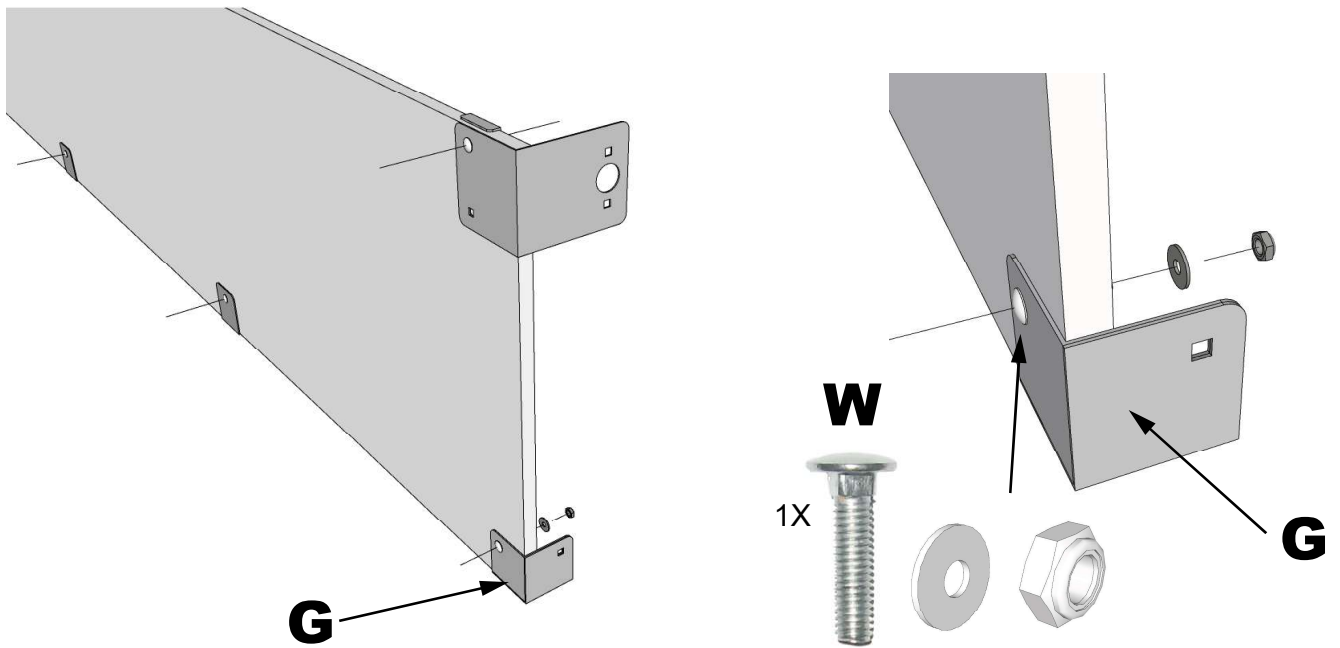
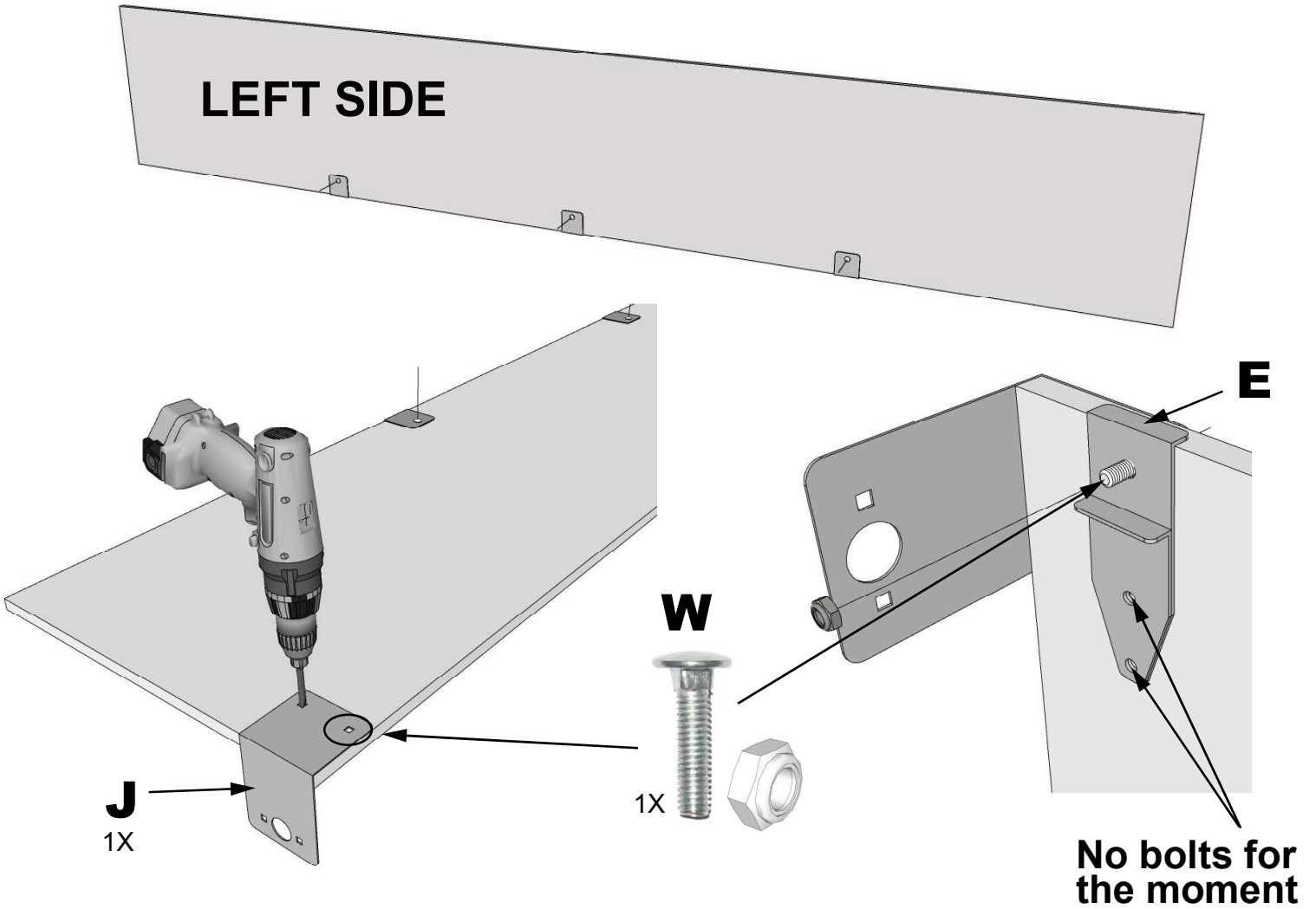
STEP 2 - ASSEMBLY OF DRAWER



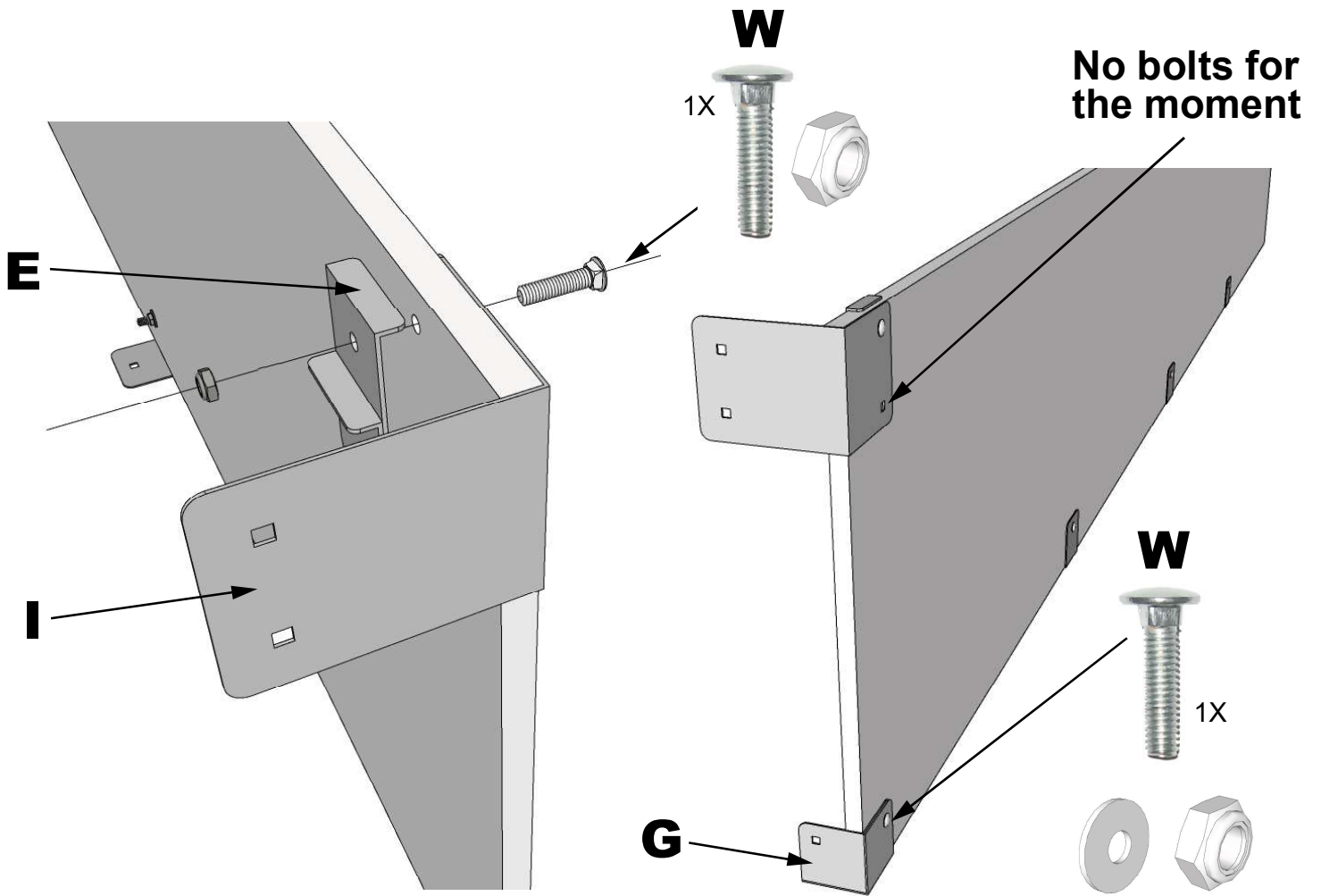
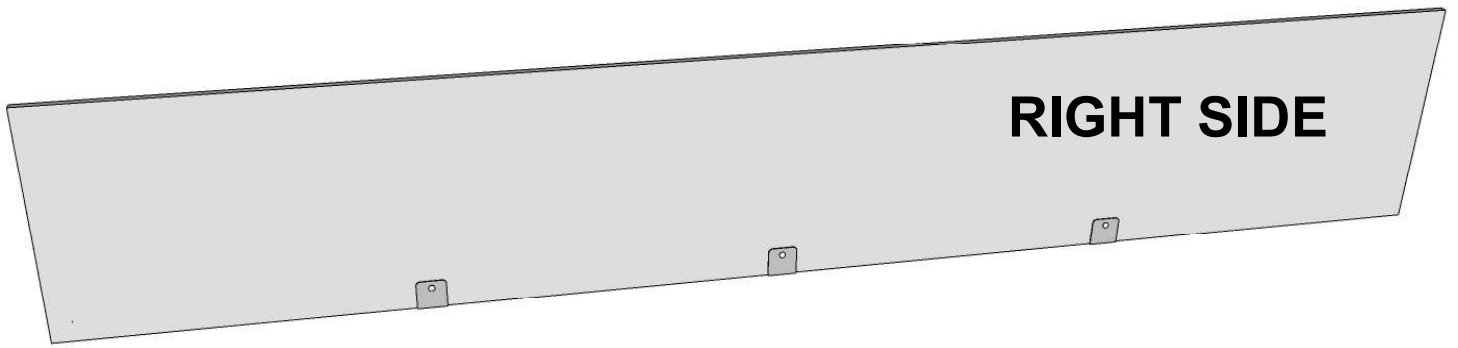
STEP 3 - ASSEMBLY OF DRAWER



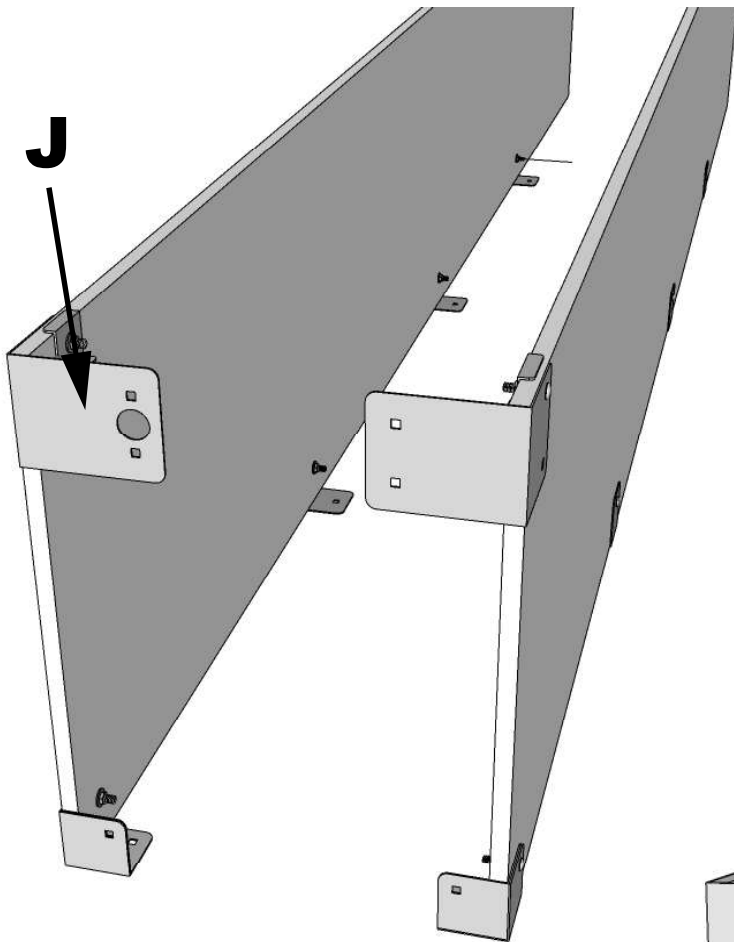
LEFT SIDE



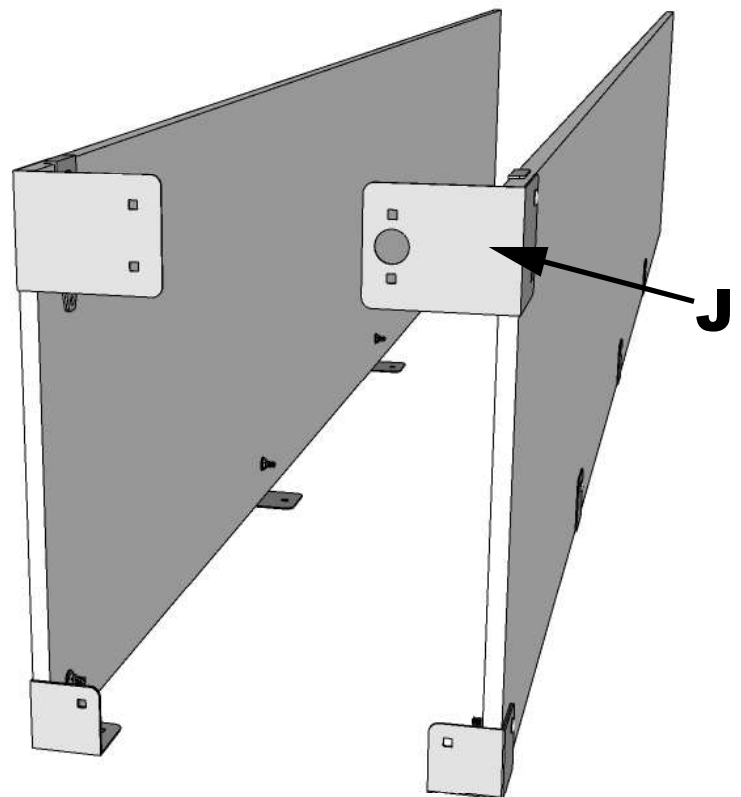
STEP 4 - ASSEMBLY OF DRAWER



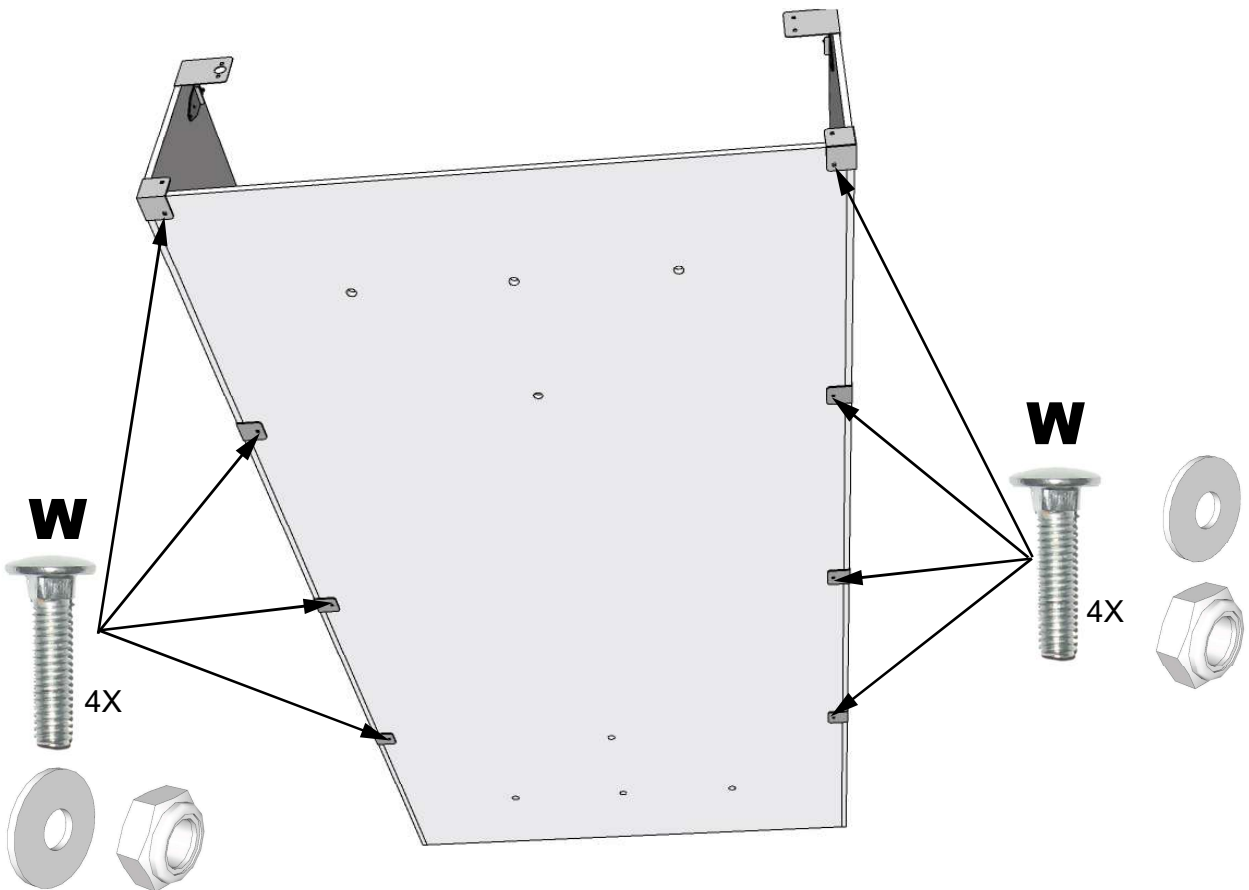
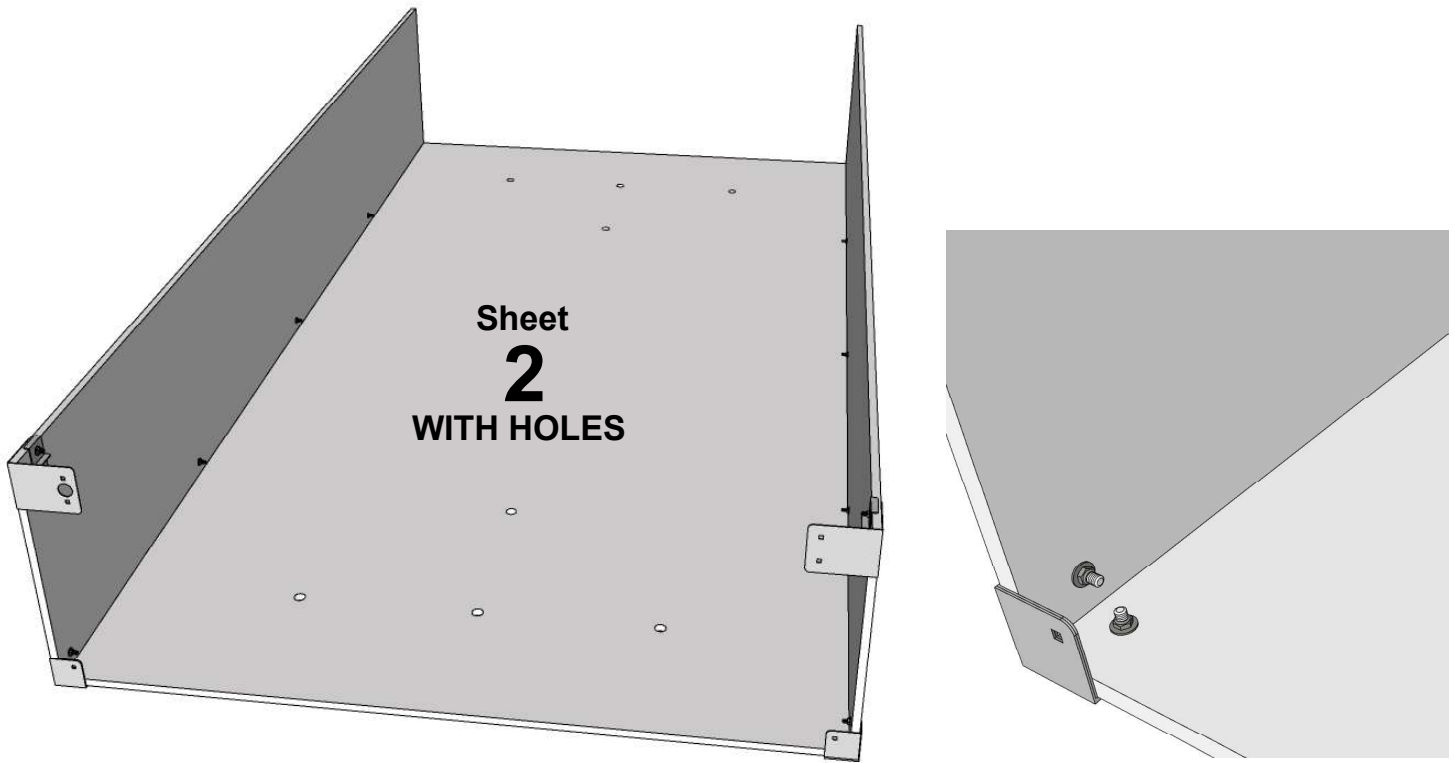
FOR LEFT-SIDE HANDLE



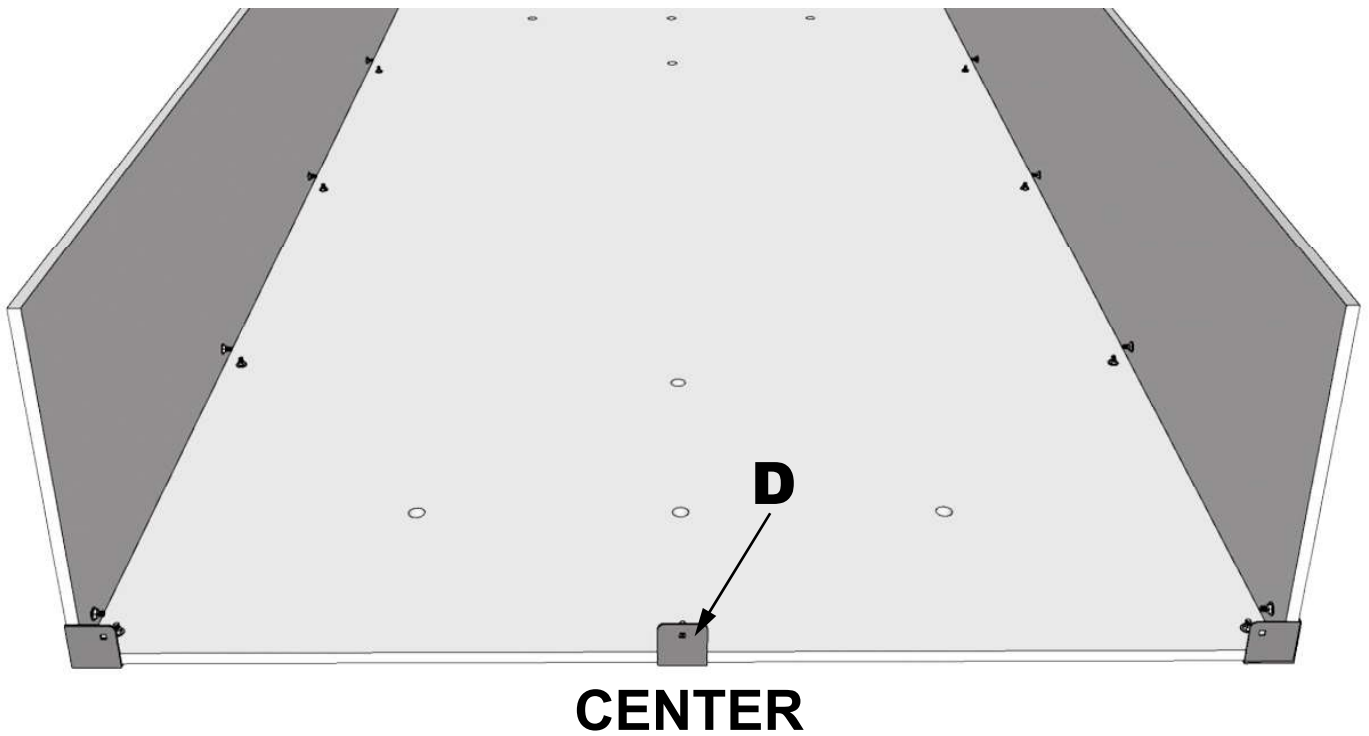
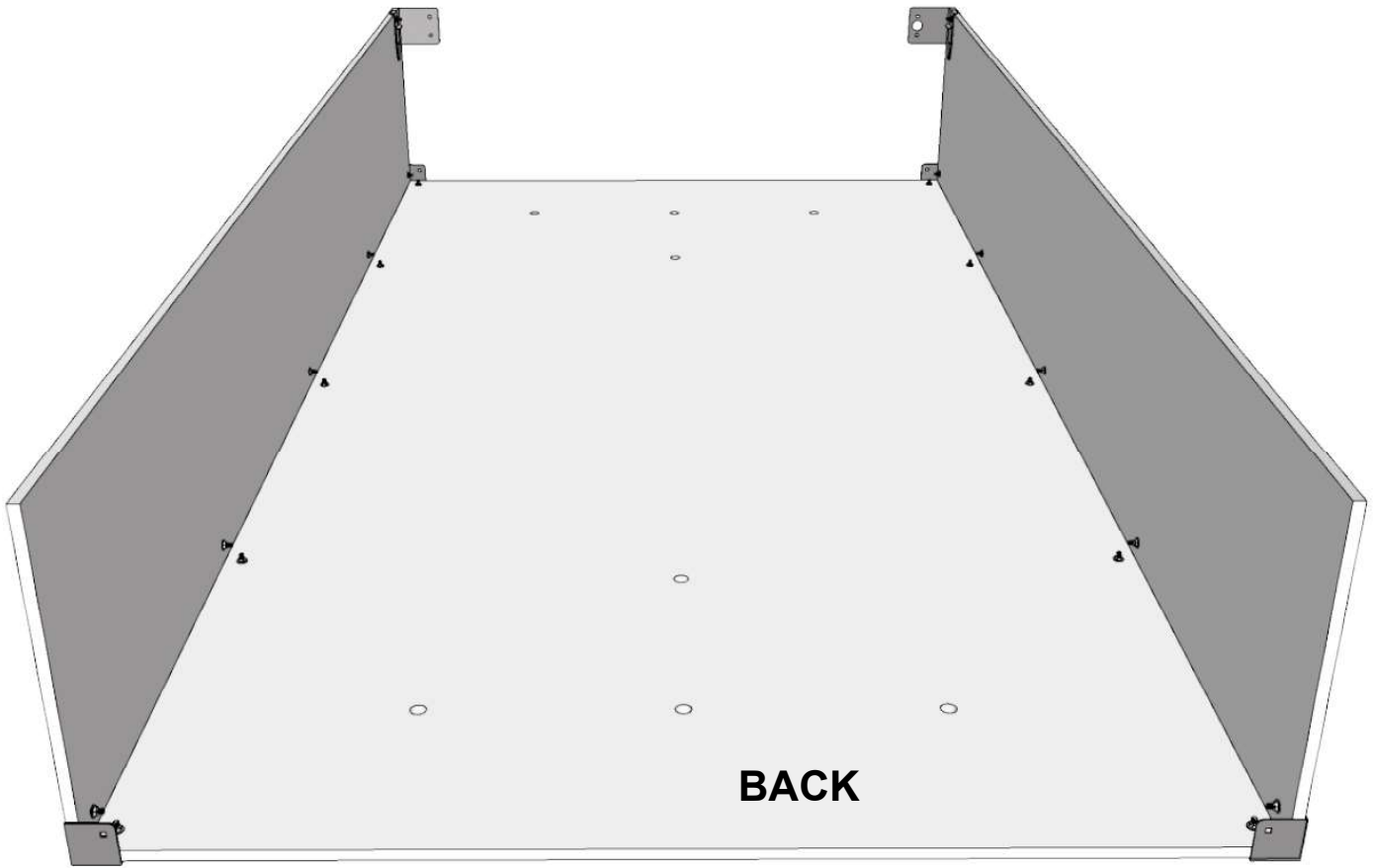
FOR RIGHT-SIDE HANDLE



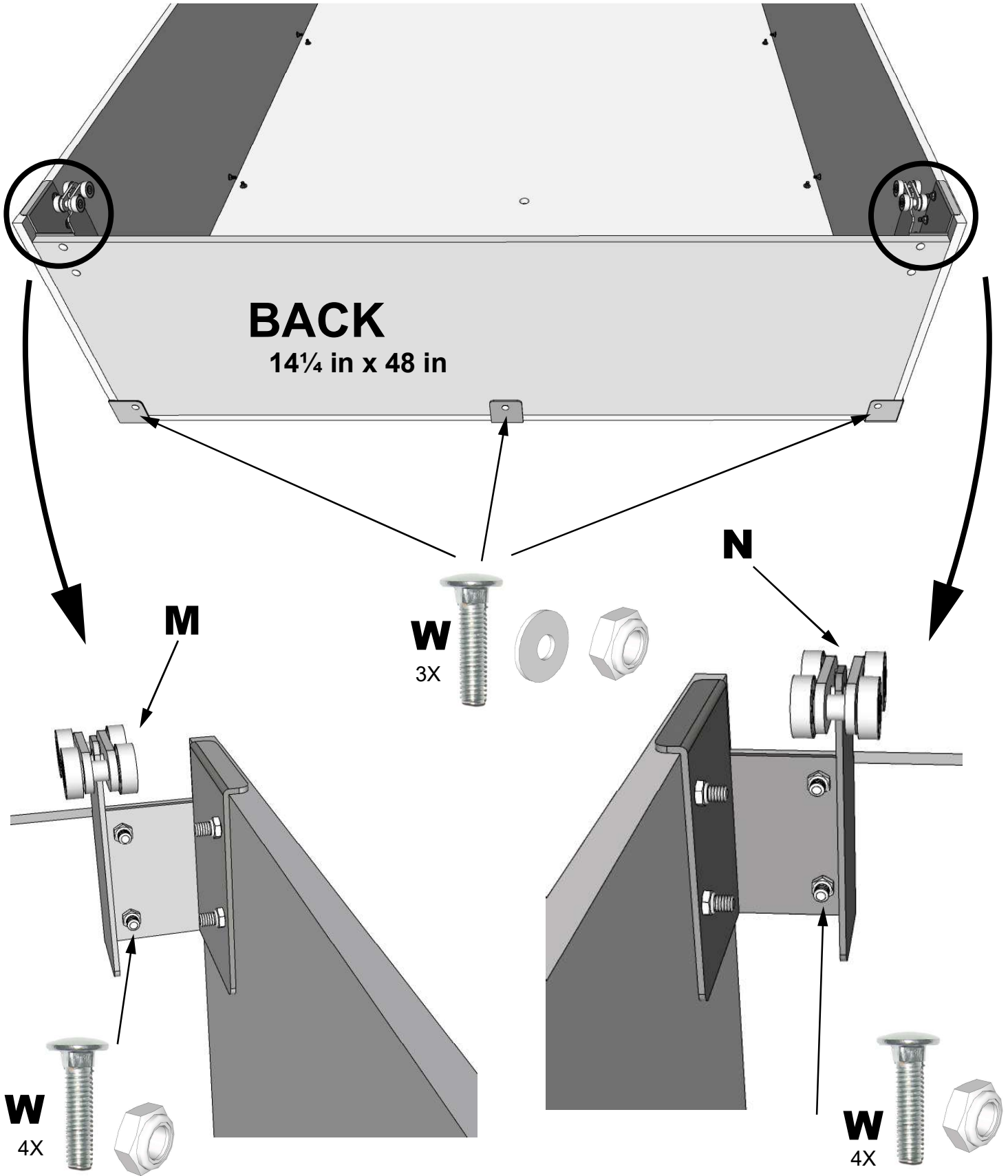
STEP 6 - ASSEMBLY OF DRAWER



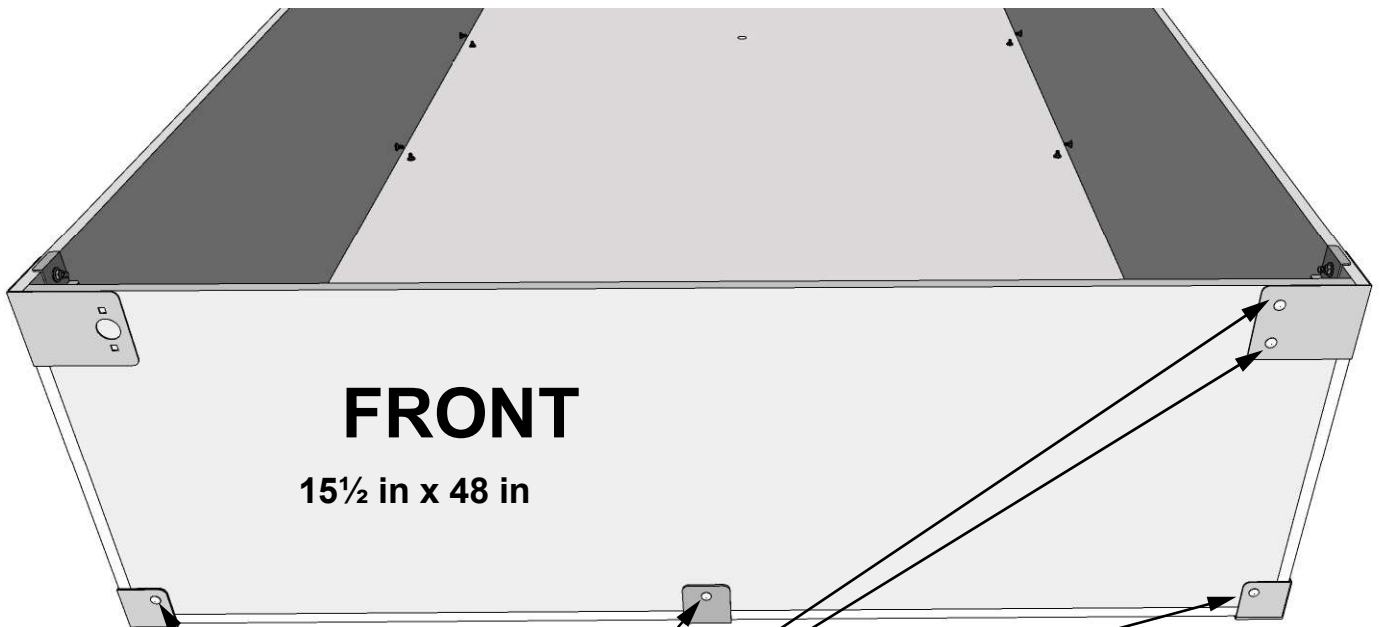
STEP 7 - ASSEMBLY OF DRAWER



STEP 8 - ASSEMBLY OF DRAWER



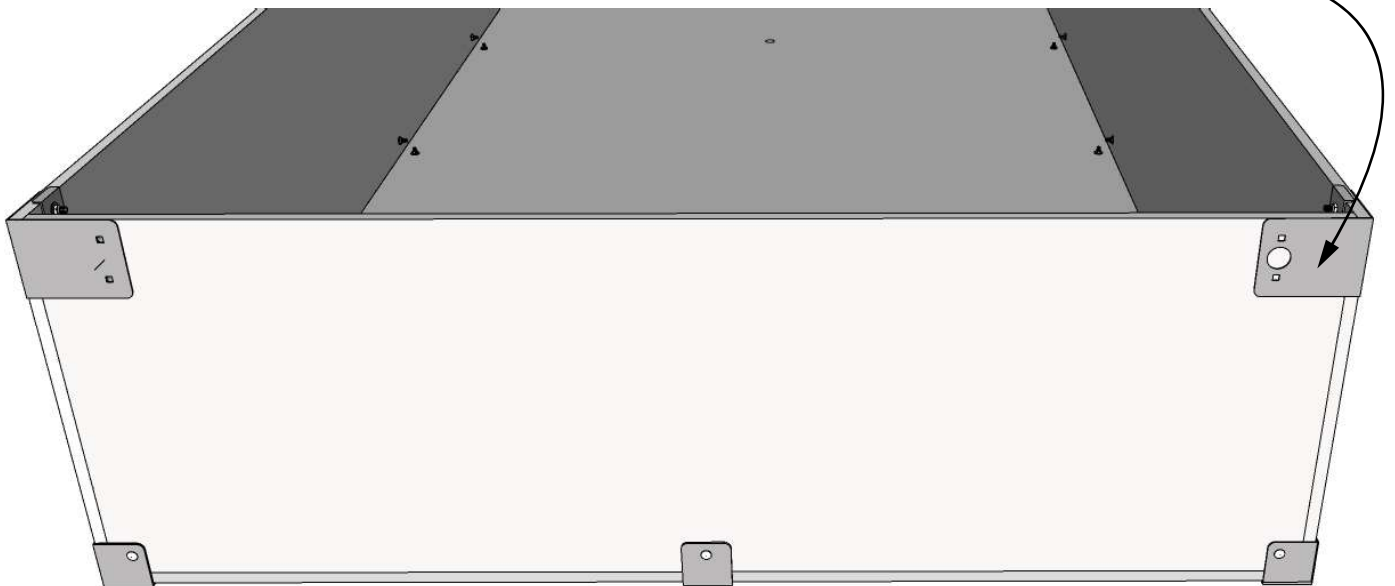
FOR LEFT-SIDE HANDLE



W

5X

FOR RIGHT-SIDE HANDLE



STEP 10 - ASSEMBLY OF DRAWER (HANDLE)



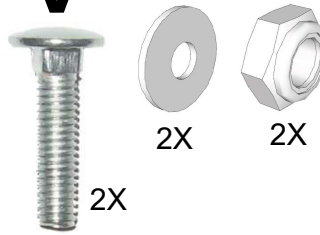
O



Not included
3/4 in



V



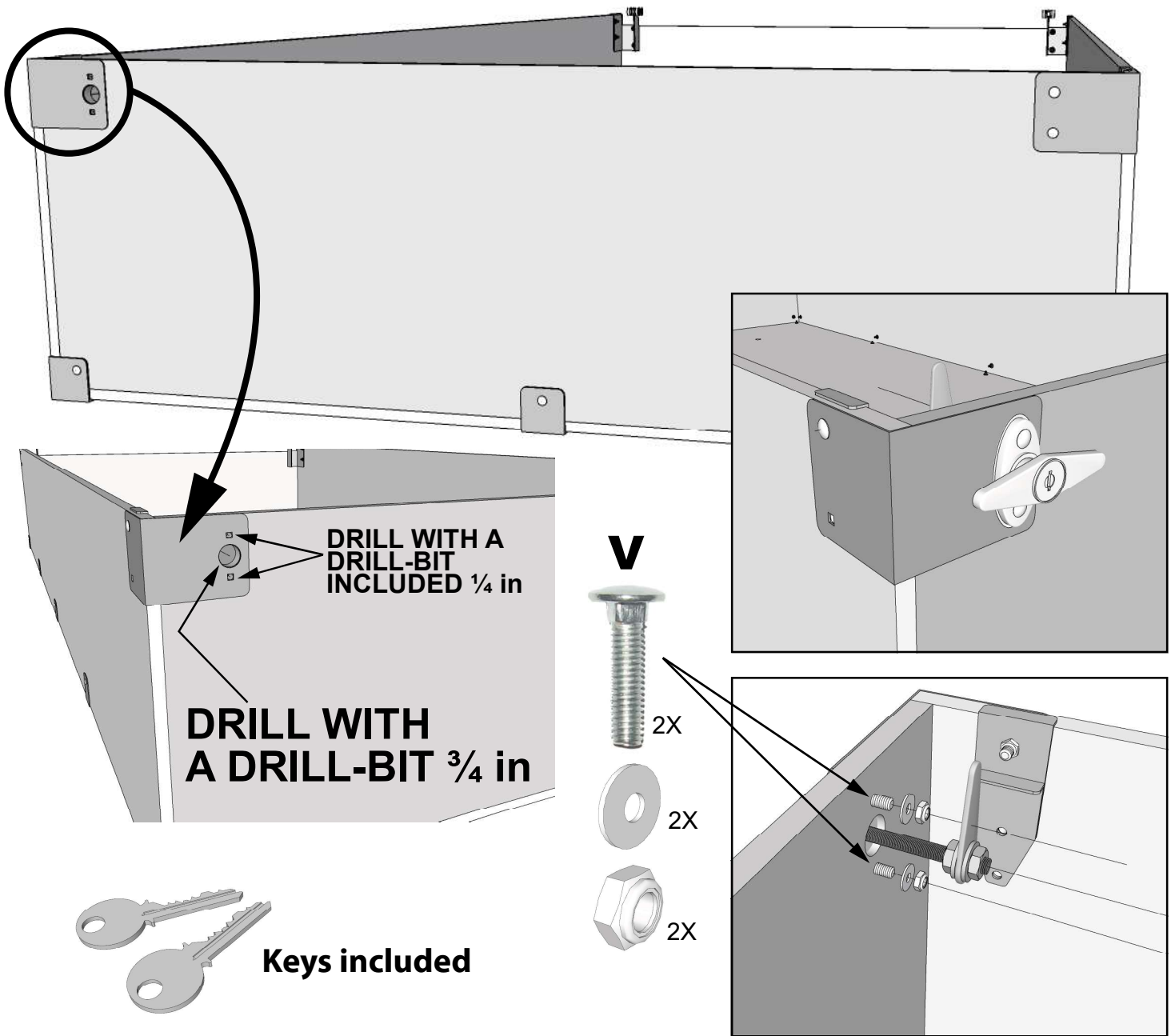
2X

2X

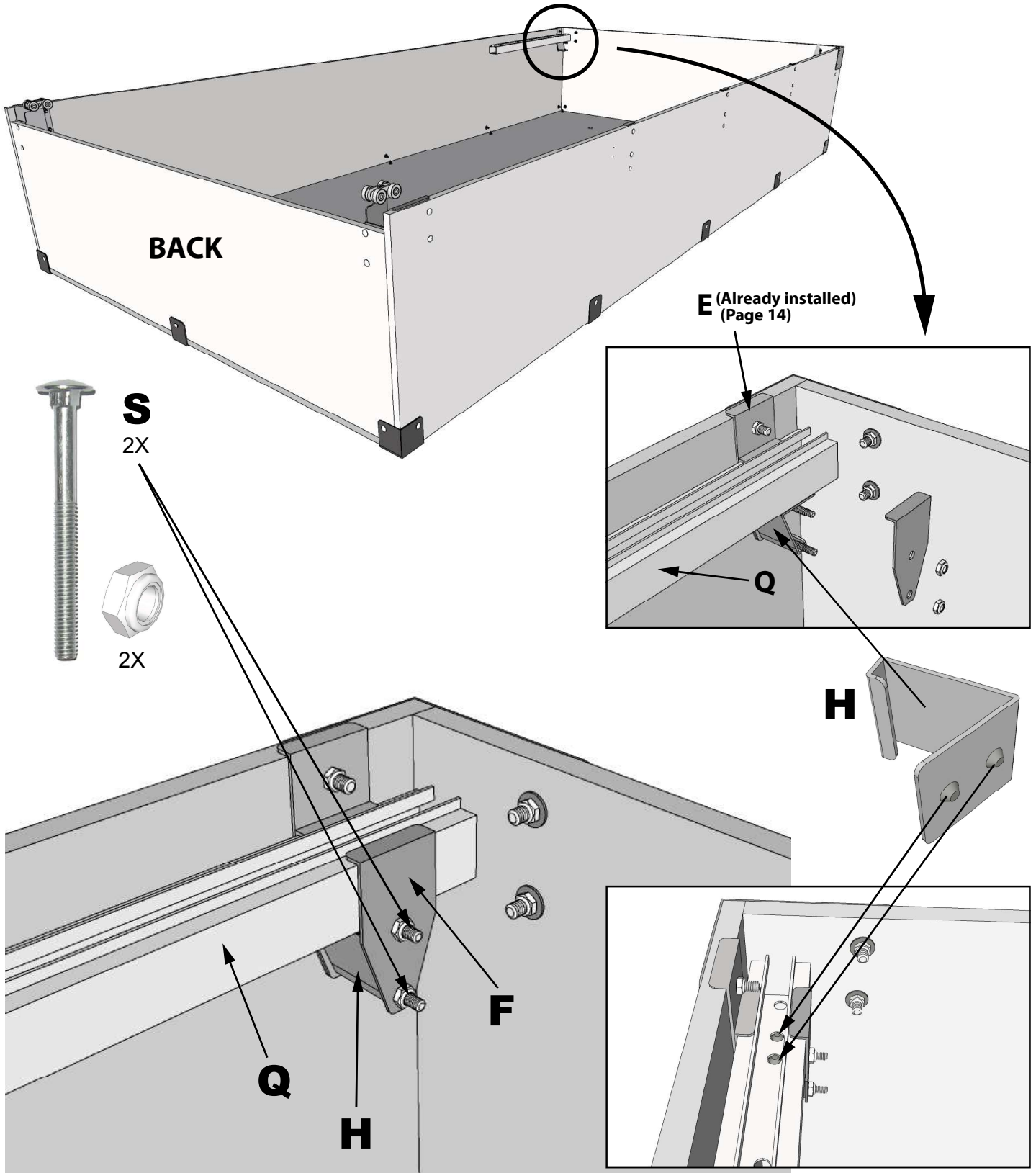
2X

Included

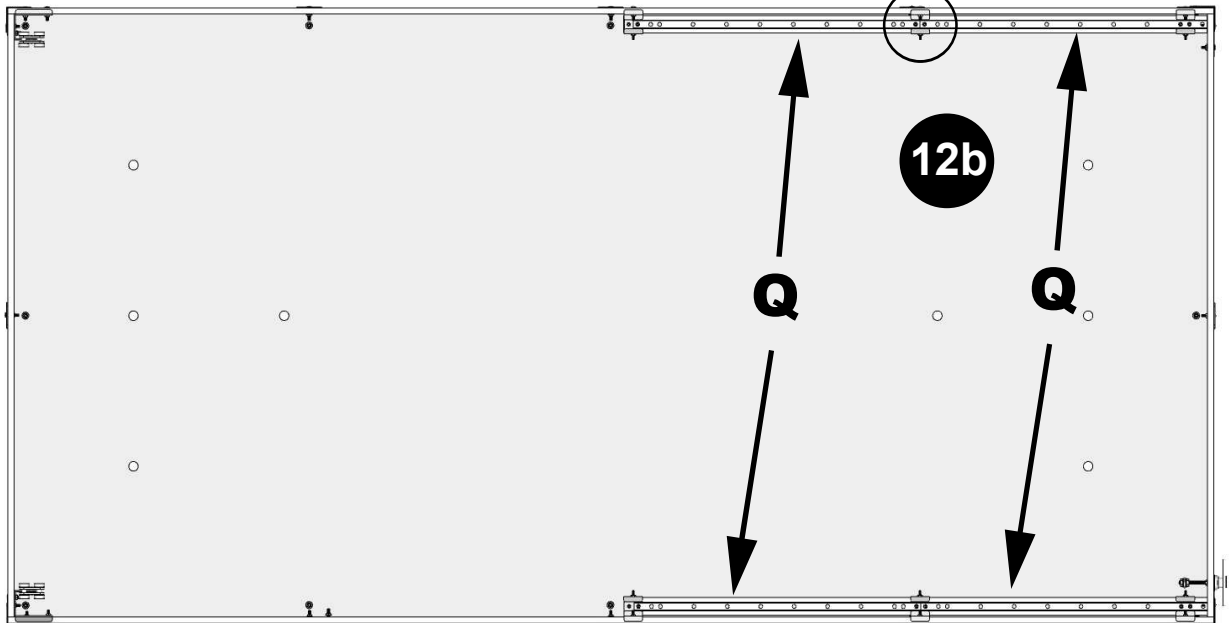
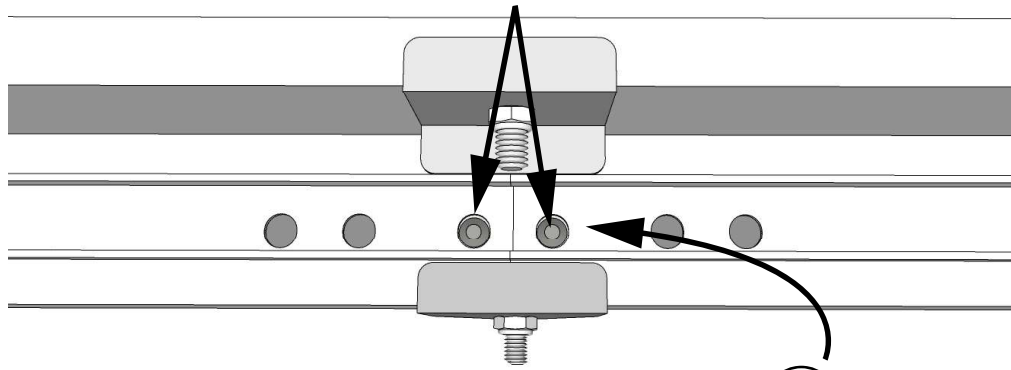
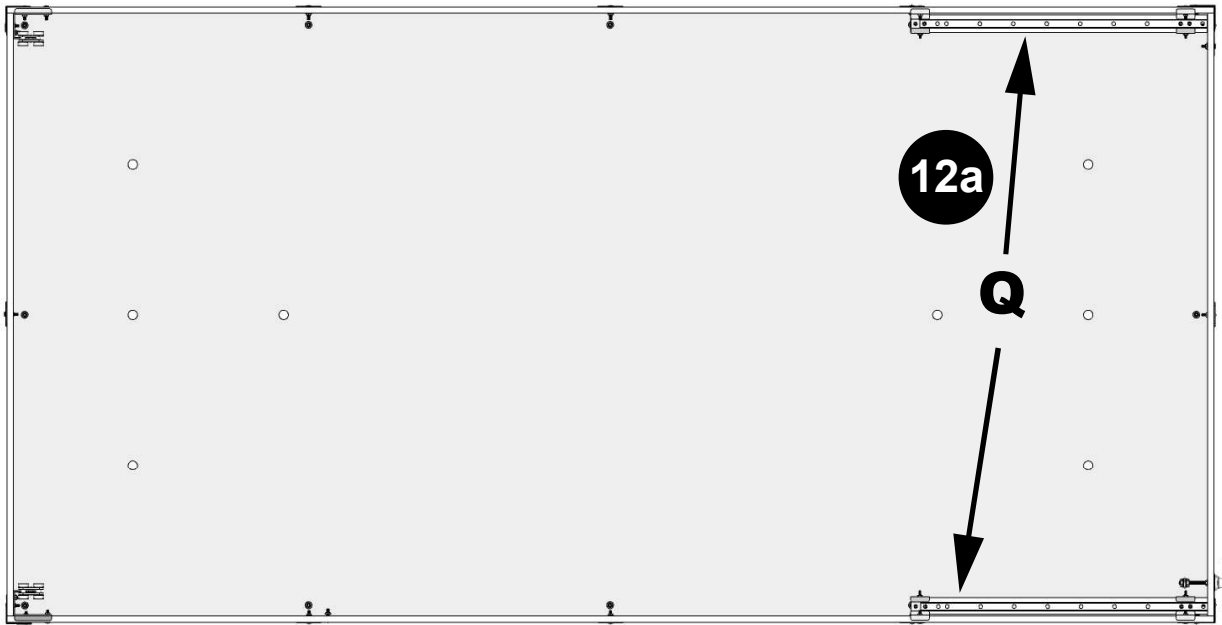
1/4 in



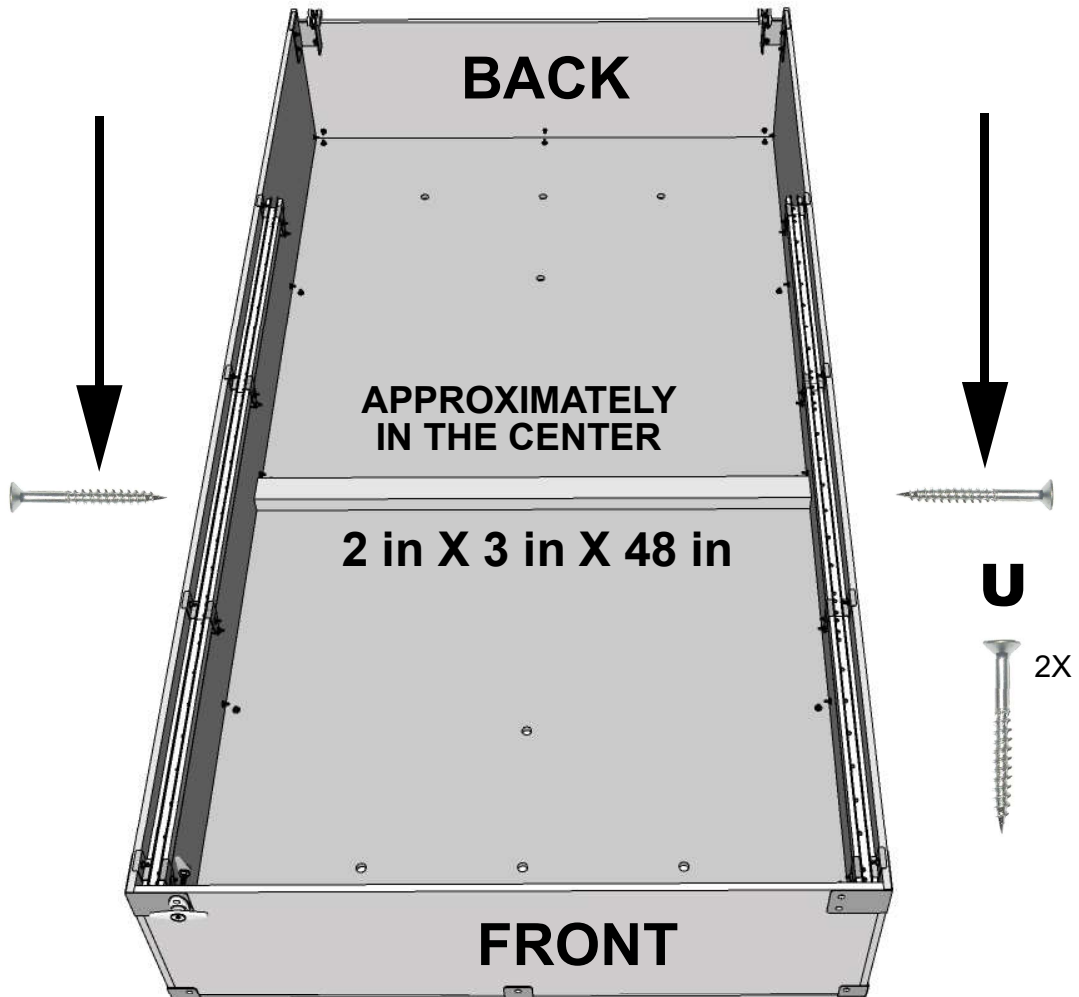
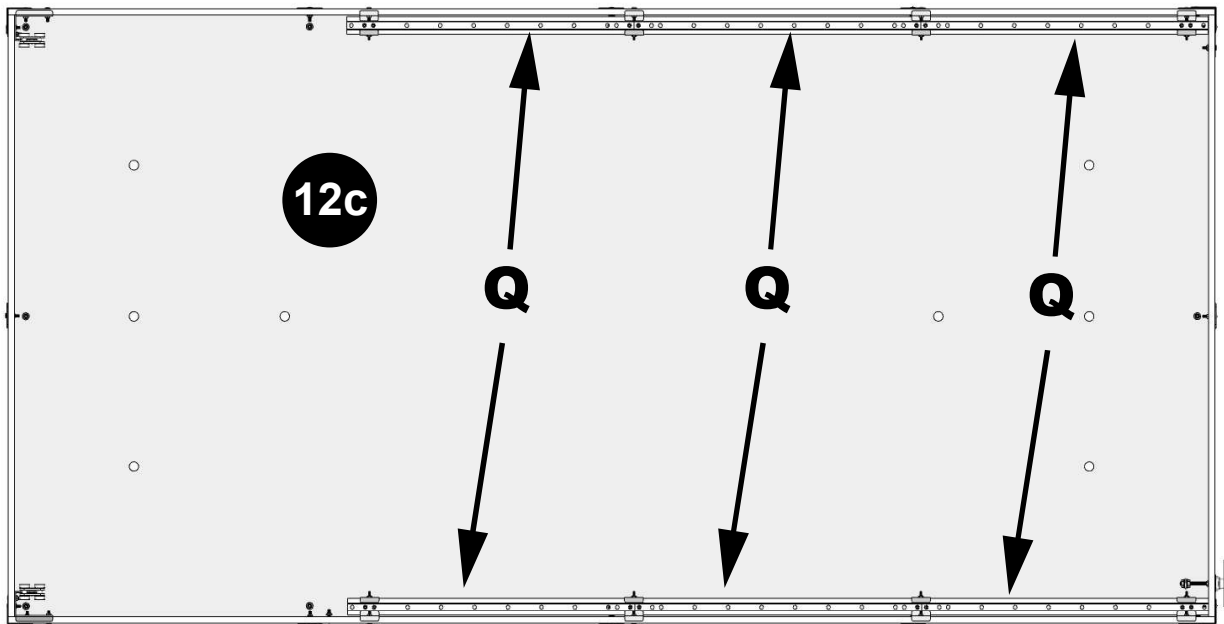
STEP 11 - ASSEMBLY RAILS IN THE DRAWER



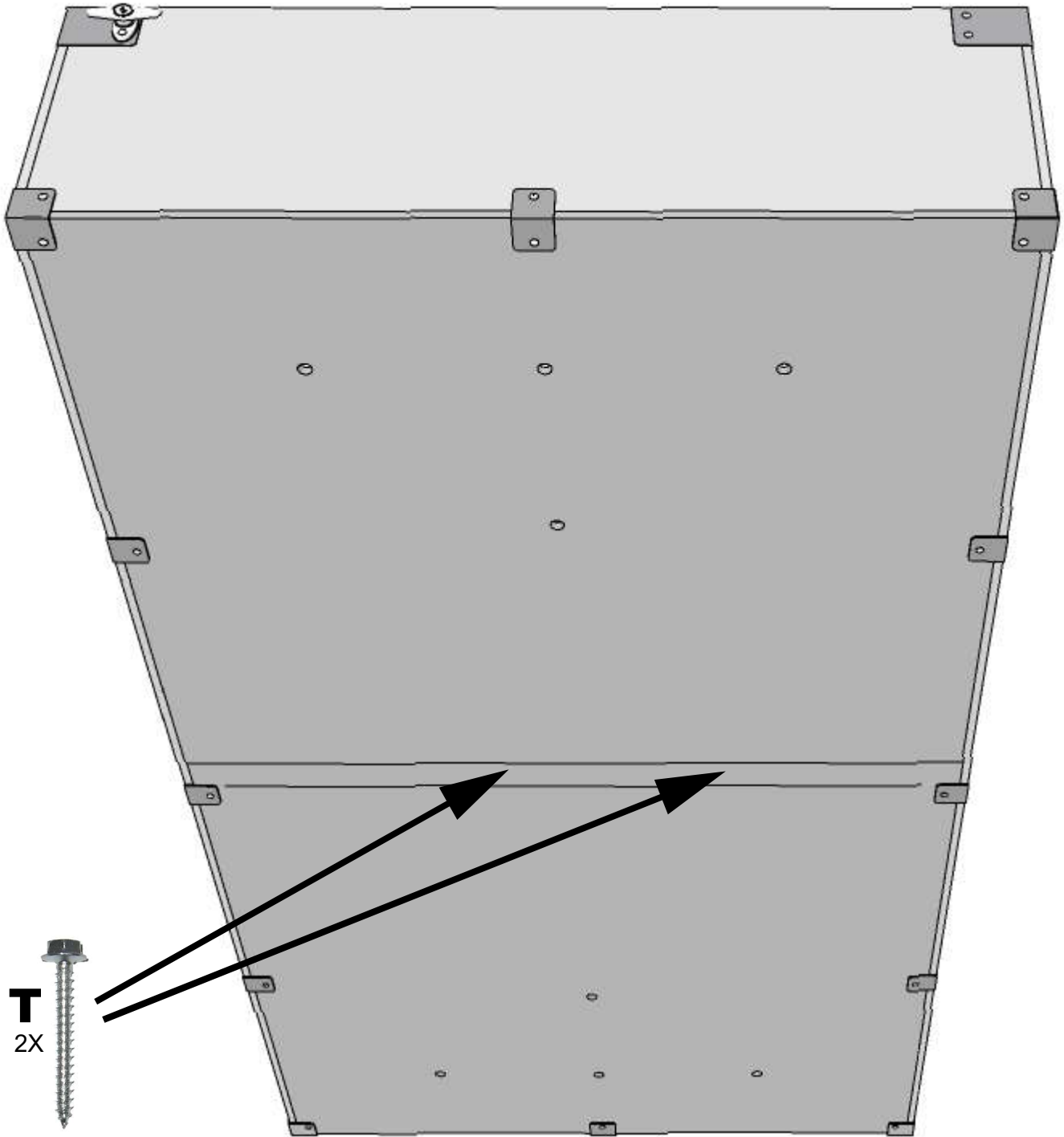
STEP 12 - ASSEMBLY RAILS IN THE DRAWER



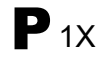
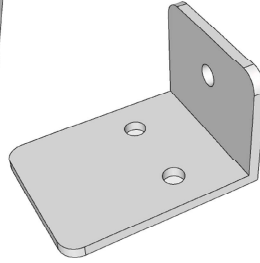
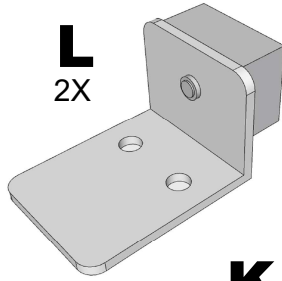
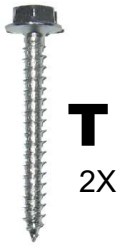
STEP 12 NEXT - ASSEMBLY RAILS IN THE DRAWER



STEP 13 - TOTAL ASSEMBLY OF DRAWER



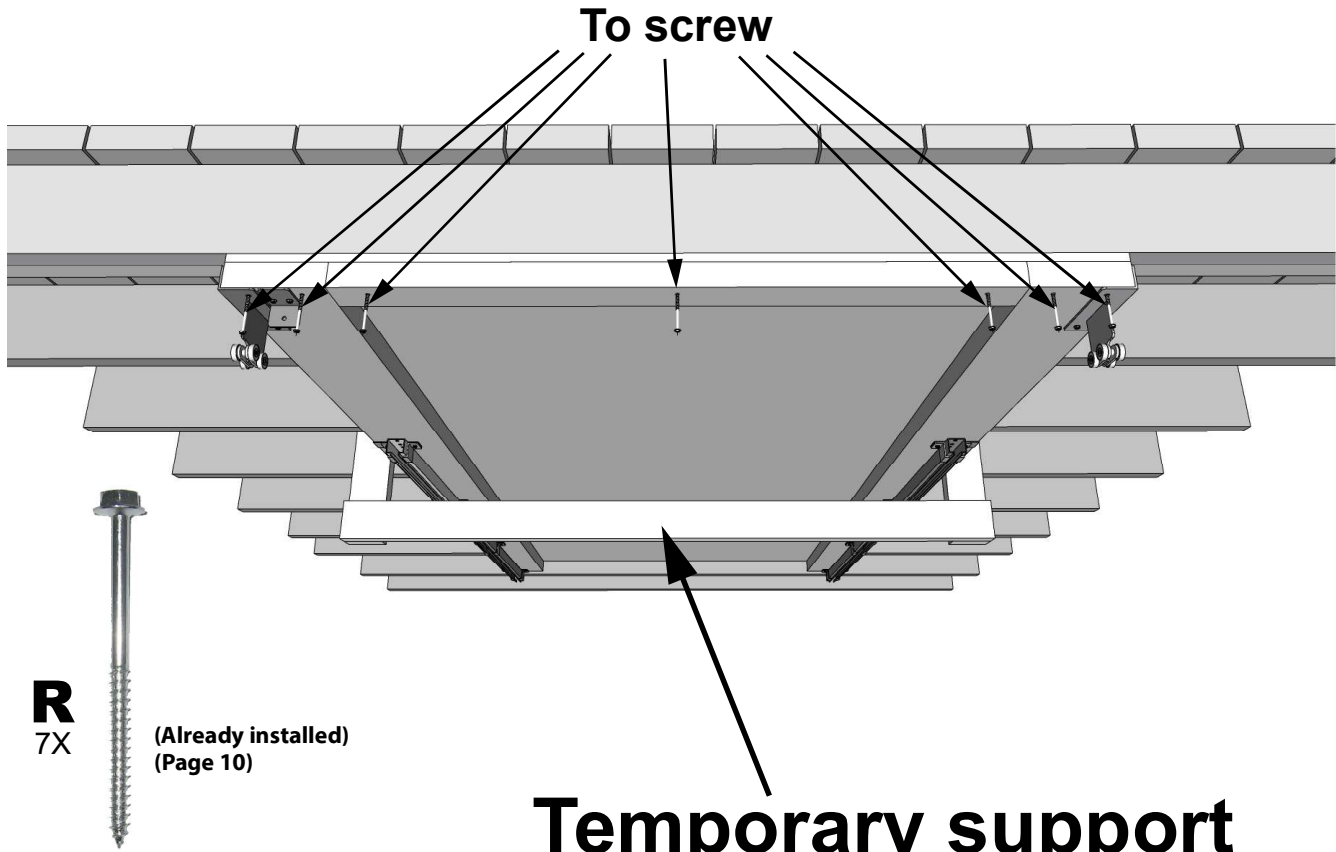
STEP 1 - INSTALLED THE TOP ON THE DECK



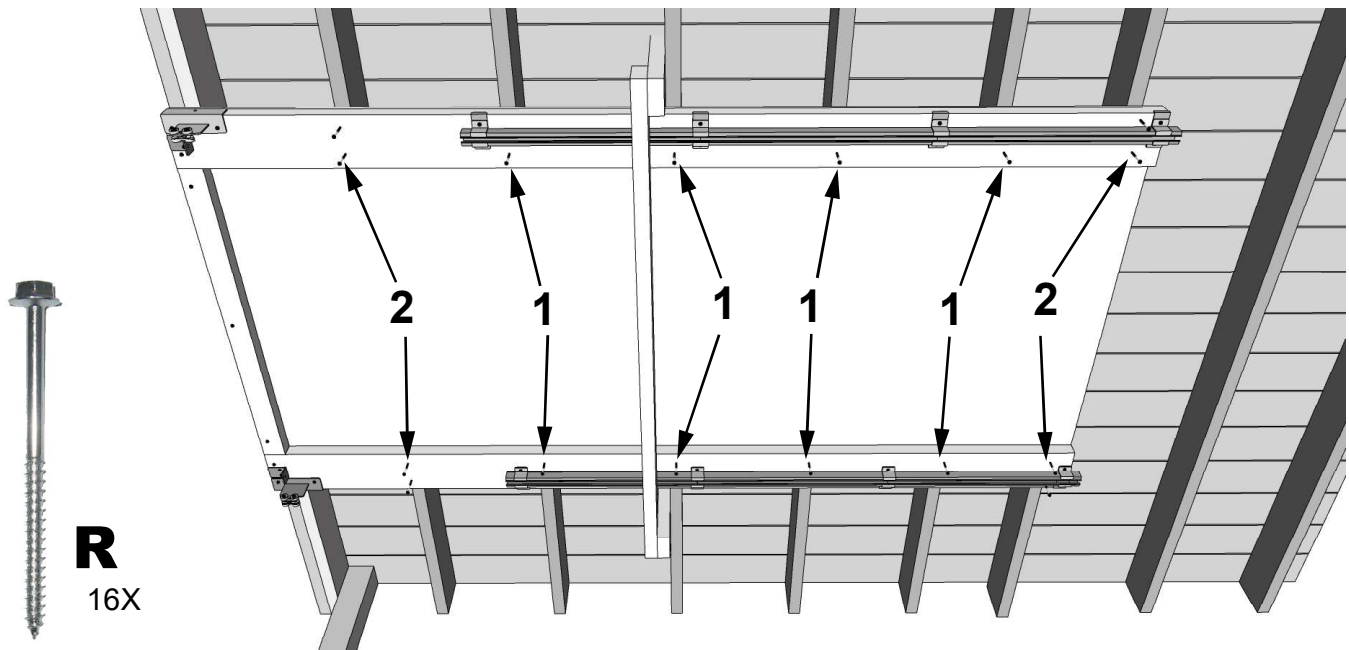
**PVC
Membrane**



STEP 2 - INSTALLED THE TOP ON THE DECK

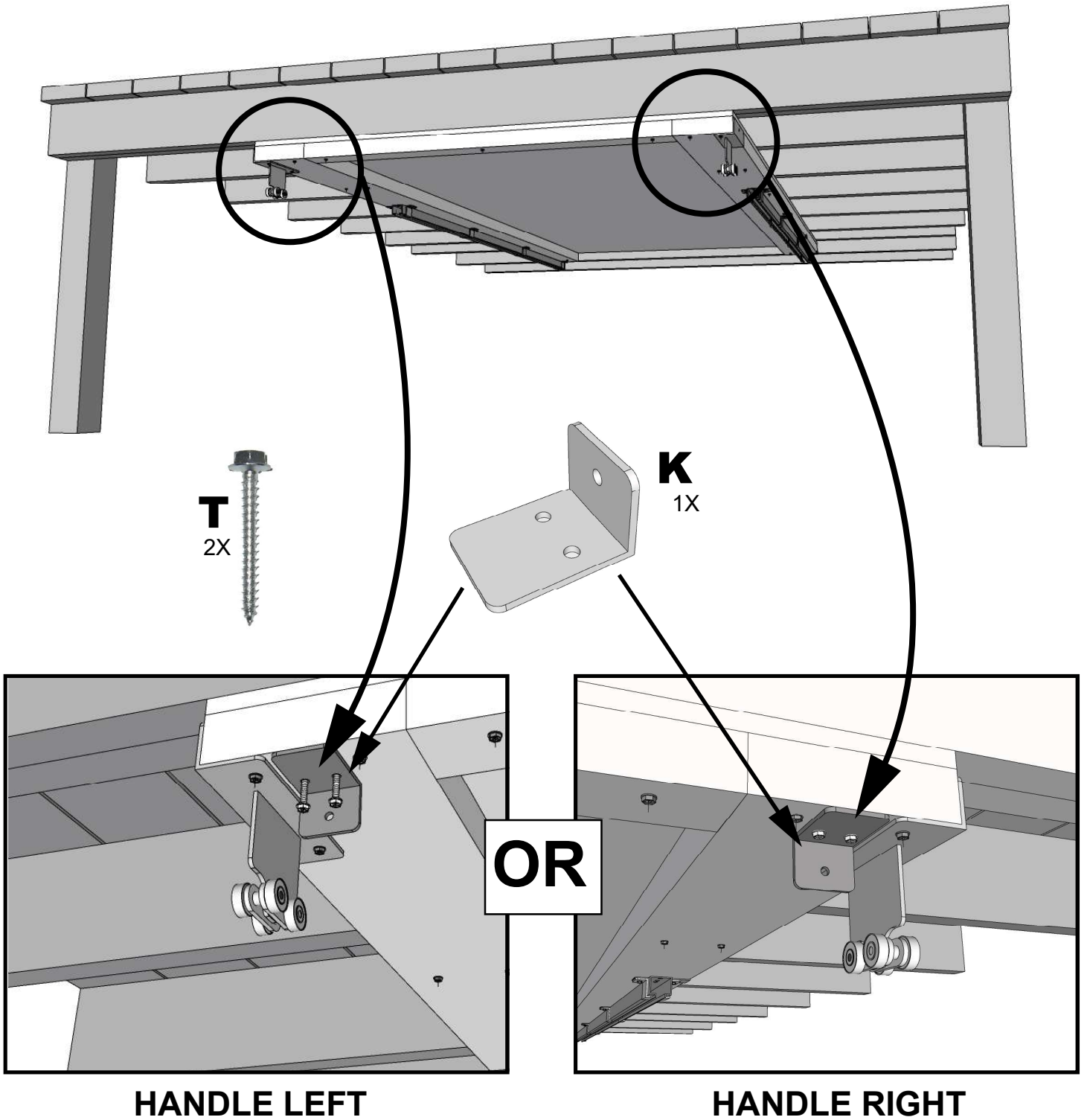


Temporary support
(2 in X 4 in)

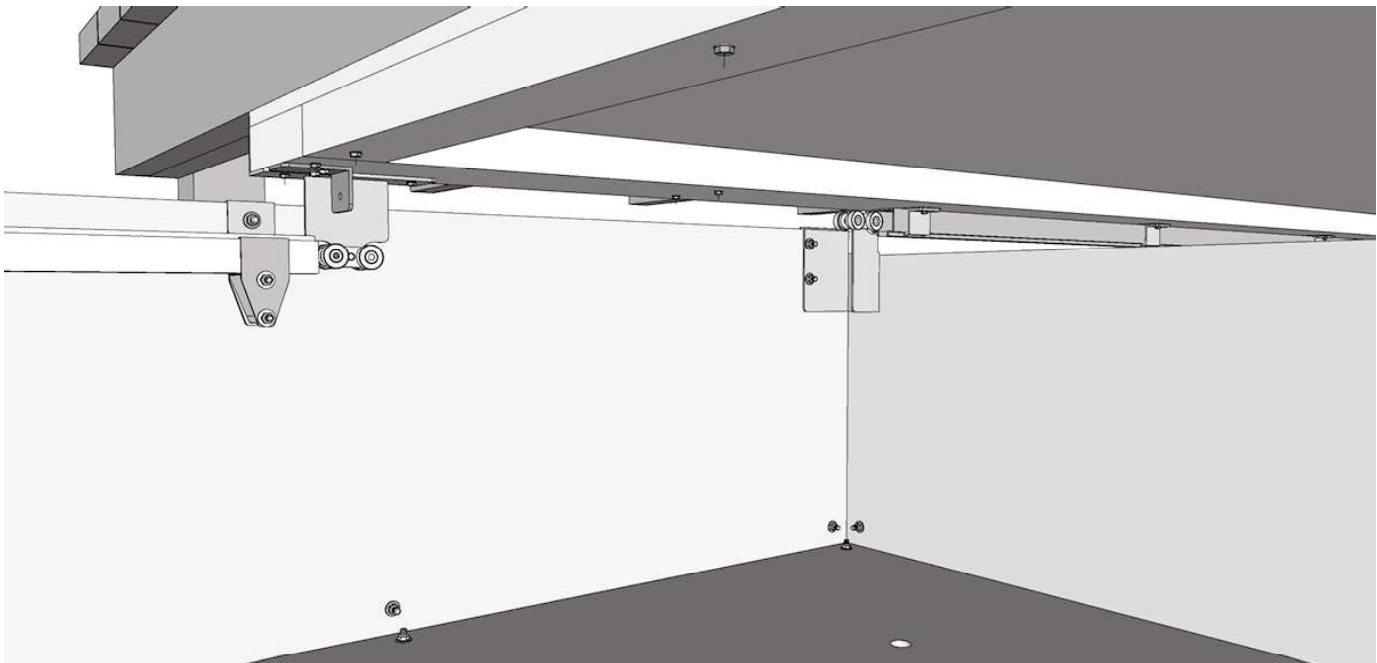
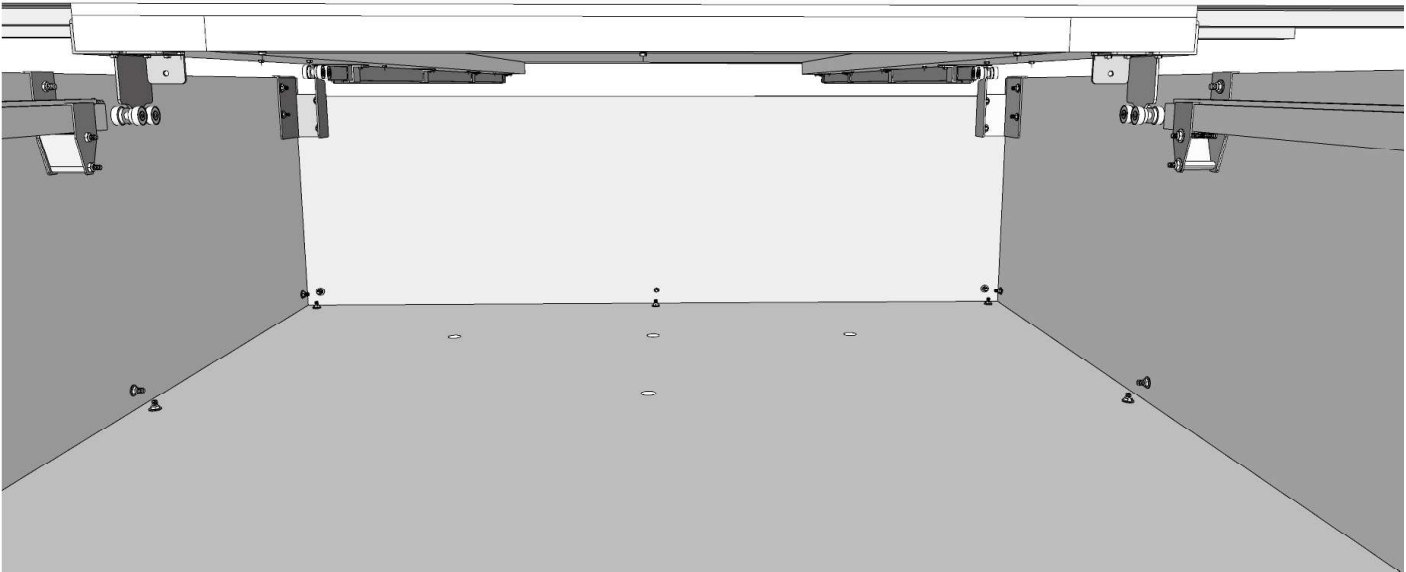


**PRE-DRILL WITH
A DRIL-BIT 1/4 in**

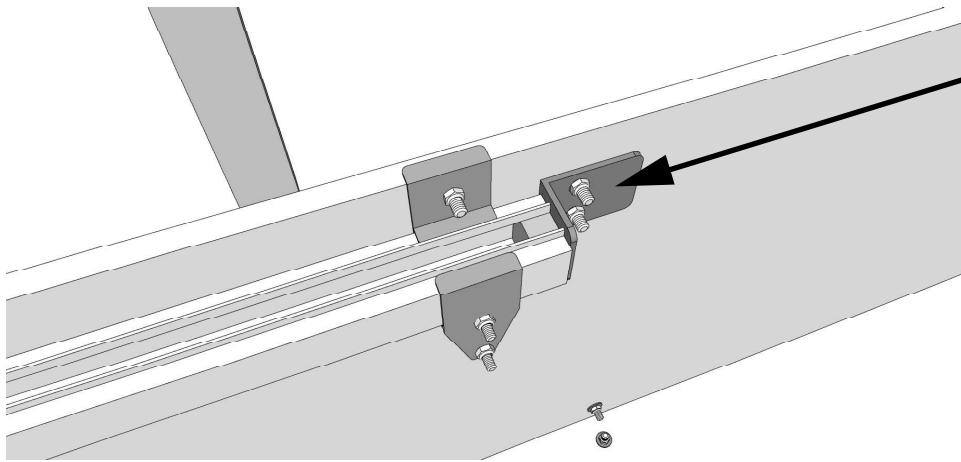
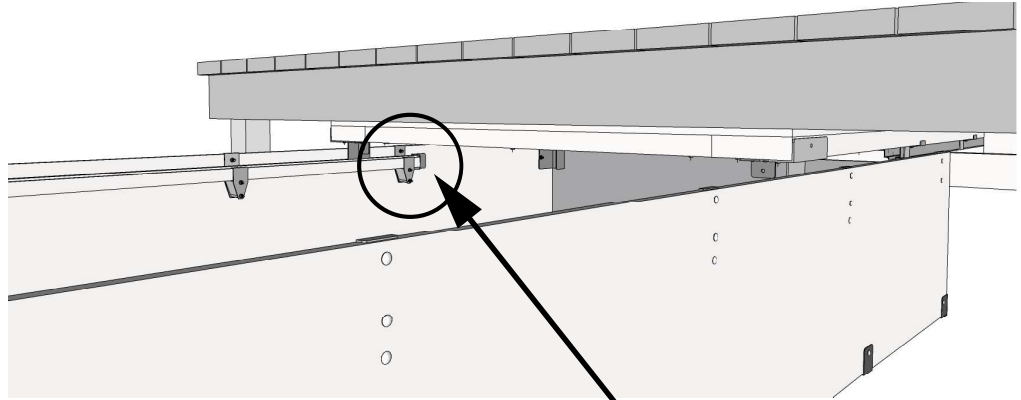
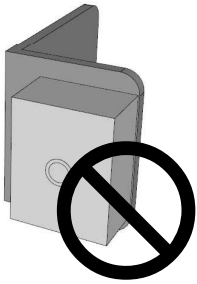
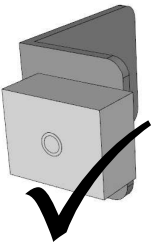
STEP 3 - INSTALLED THE TOP ON THE DECK



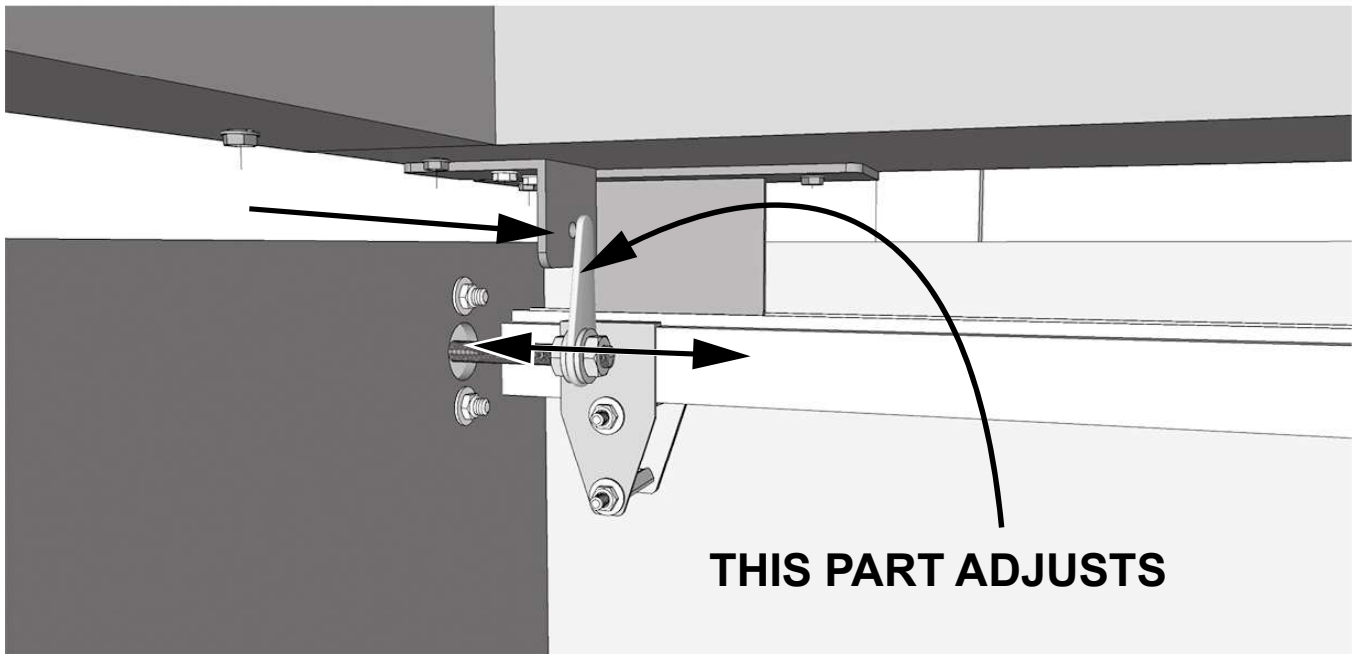
STEP 4 - INSTALLED THE DRAWER ON THE TOP



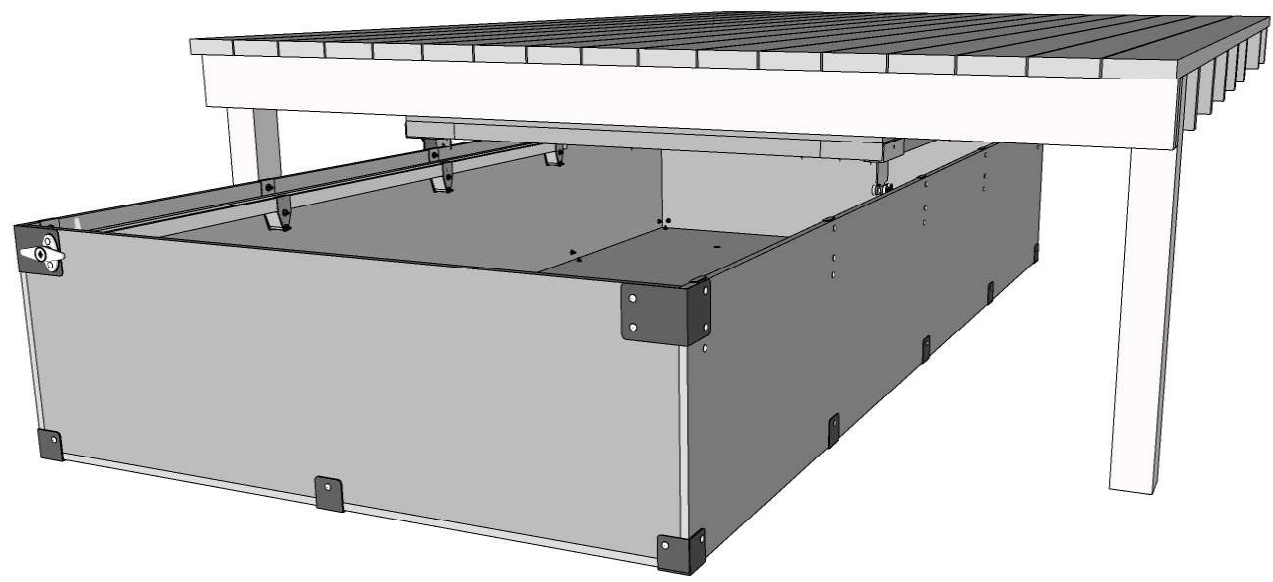
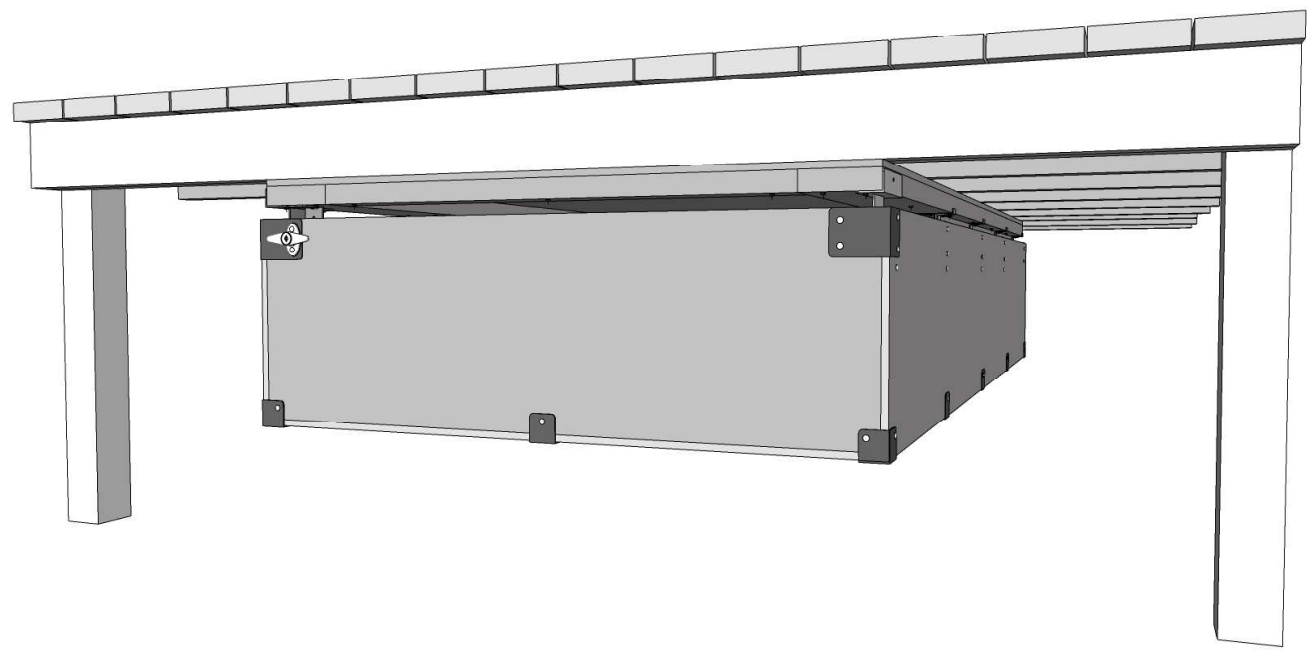
STEP 5 - INSTALLED THE STOPPER



L 2X **ON EACH SIDE**



THIS PART ADJUSTS





RATE US! / ÉVALUEZ NOUS!



Satisfied with your Pylex product?

Please let us know by sharing pictures with us at info@pylex.com
You can also write a review online
about your purchase. Thank you!

(By sending your photos, you authorize Pylex to use them in order to show them on our website and other Pylex projects).

Thank you!

Vous êtes satisfaits de votre produit Pylex?

Faites-nous le savoir en nous envoyant des photos à info@pylex.com
Vous pouvez également écrire un
avis en ligne sur votre achat. Merci!

(En envoyant vos photos, vous autorisez Pylex à les utiliser afin de les montrer sur notre site web et autres projets Pylex).

Merci!

YOU LIKED OUR PRODUCT?

Visit our website: www.pylex.com to see all our products
or scan this QR code to have access to our catalog!



VOUS AVEZ AIMÉ NOTRE PRODUIT ?

Visitez notre site internet : www.pylex.com pour voir tous nos
produits ou scannez ce code QR pour accéder à notre catalogue !

Pylex
Guarantee
Certificate



Certificat
Garantie
Pylex

Follow us on:
Suivez-nous sur :

