

Here is the most recent version of the installation video



Here you have the most recent version of the installation guide



# **INSTALLATION GUIDE**

## **DECK SUNBLIND SYSTEM - BLACK**

**# 11060**



### **Question? - Contact us:**

First contact our friendly customer service team for assistance.

Email: [info@pylex.com](mailto:info@pylex.com) or call: 1-800-264-1881

Monday to Friday: 8:30am to 4:30pm UTC

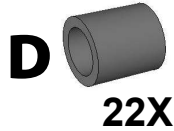
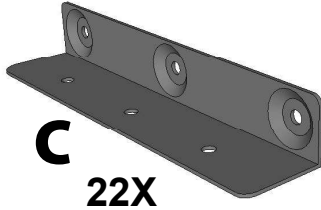
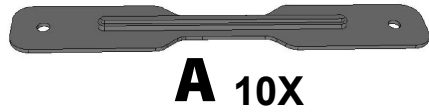
Replacement for damaged or missing parts will be shipped promptly.

Rev.: 32-0614



**DECK AND FENCE HARDWARE**  
**WWW.PYLEX.COM / 1 800-264-1881**

## PARTS LIST



## TOOLS REQUIRED



for a 2" x 6" / 6" x 6" structure



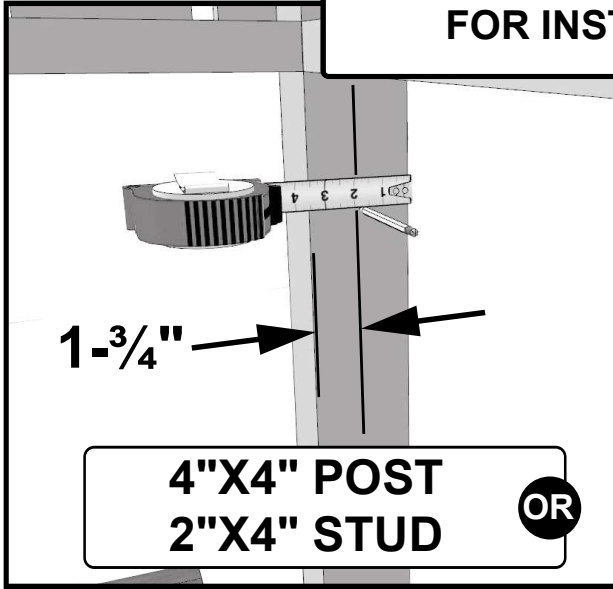
NUMBER OF BOARDS		REQUIRED OPENING	
REQUIRES <b>1</b> BOX	2	10"	254 mm
	3	14- <sup>5</sup> / <sub>16</sub> "	364 mm
	4	18- <sup>11</sup> / <sub>16</sub> "	474 mm
	5	23"	584 mm
	6	27- <sup>5</sup> / <sub>16</sub> "	694 mm
	7	31- <sup>11</sup> / <sub>16</sub> "	804 mm
	8	36"	914 mm
	9	40- <sup>5</sup> / <sub>16</sub> "	1024 mm
	10	44- <sup>5</sup> / <sub>8</sub> "	1134 mm
	11	49"	1244 mm
	REQUIRES <b>2</b> BOXES	12	53- <sup>5</sup> / <sub>16</sub> "
13		57- <sup>5</sup> / <sub>8</sub> "	1464 mm
14		62"	1574 mm
15		66- <sup>5</sup> / <sub>16</sub> "	1684 mm
16		70- <sup>5</sup> / <sub>8</sub> "	1794 mm
17		75"	1904 mm
18		79- <sup>5</sup> / <sub>16</sub> "	2014 mm

# STEP 1 - MEASUREMENTS

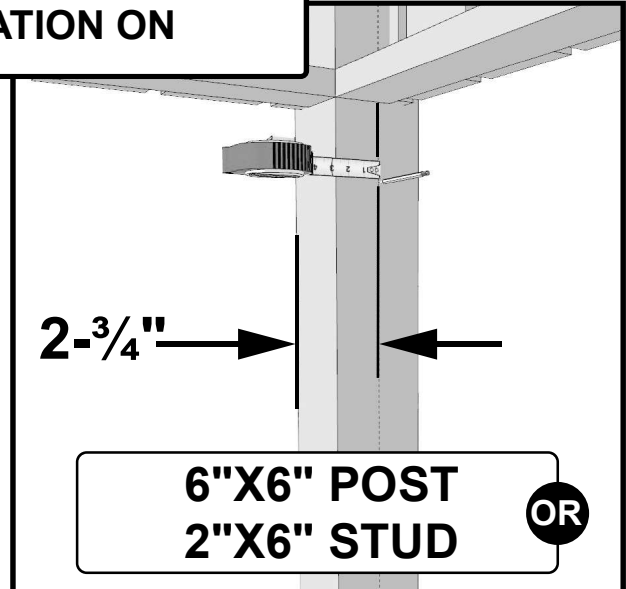


**B 1X**

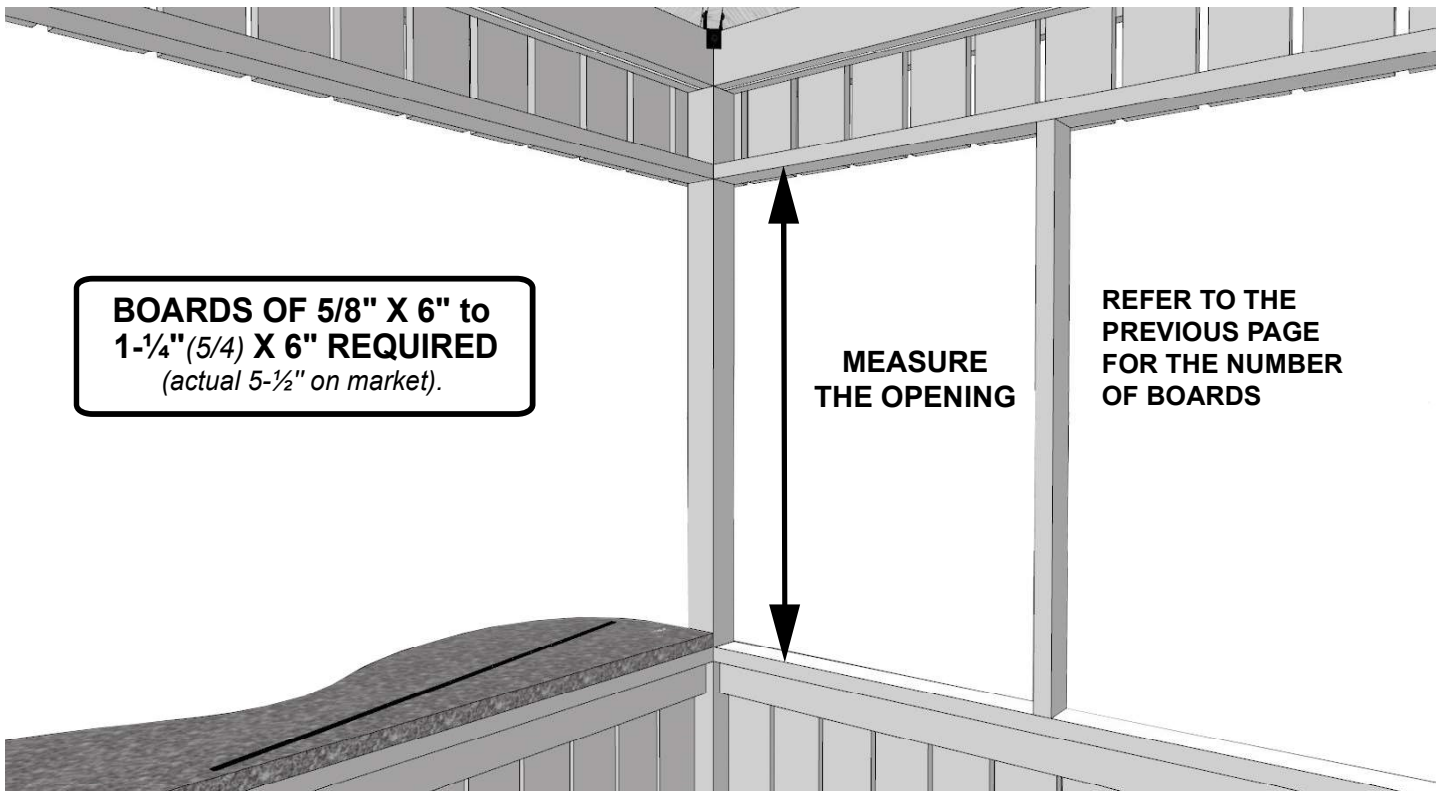
**FOR INSTALLATION ON**



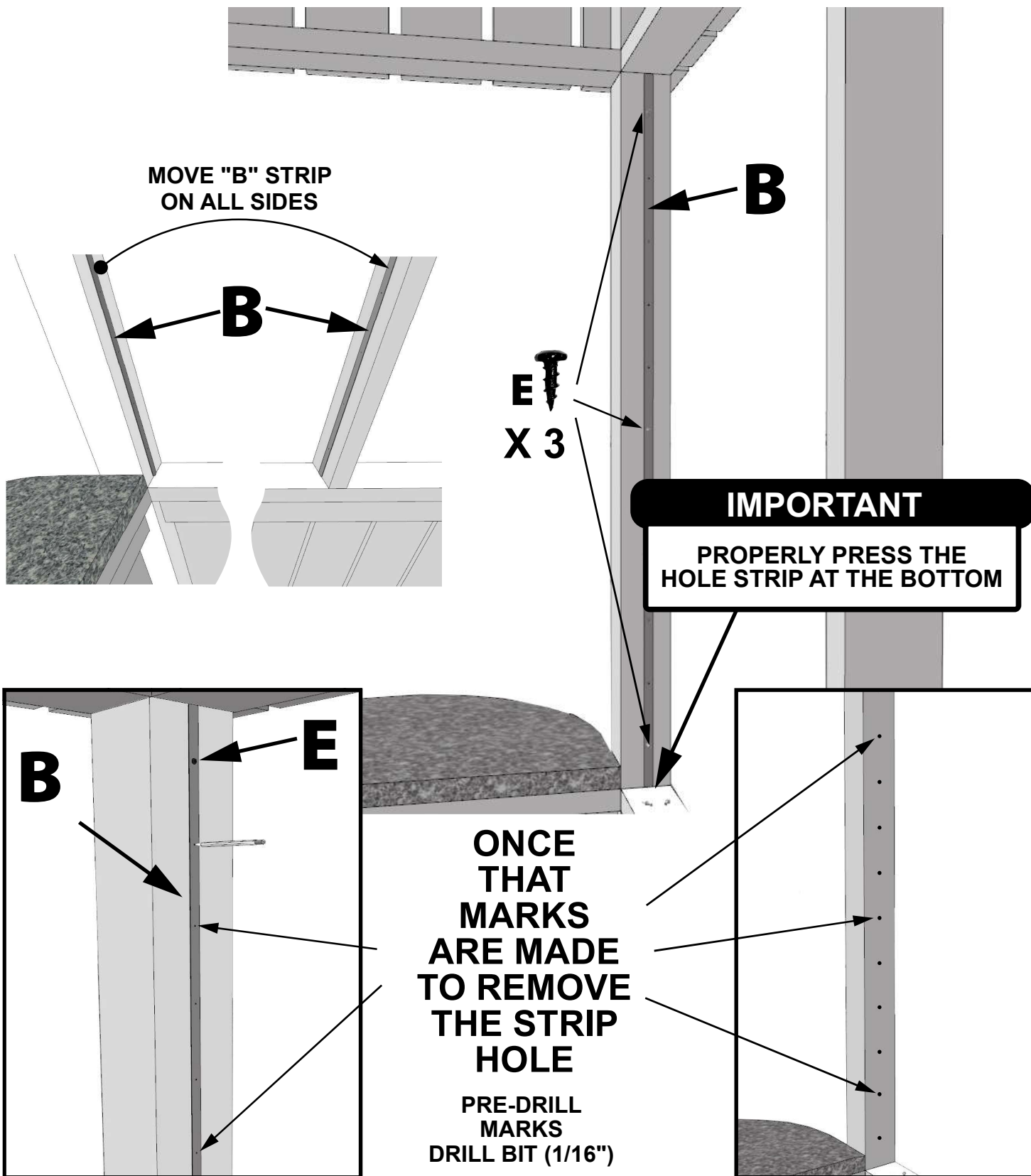
Go to page 4



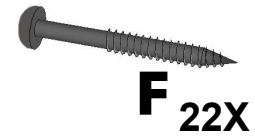
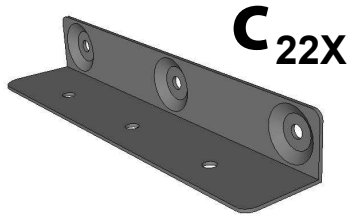
Go to page 11



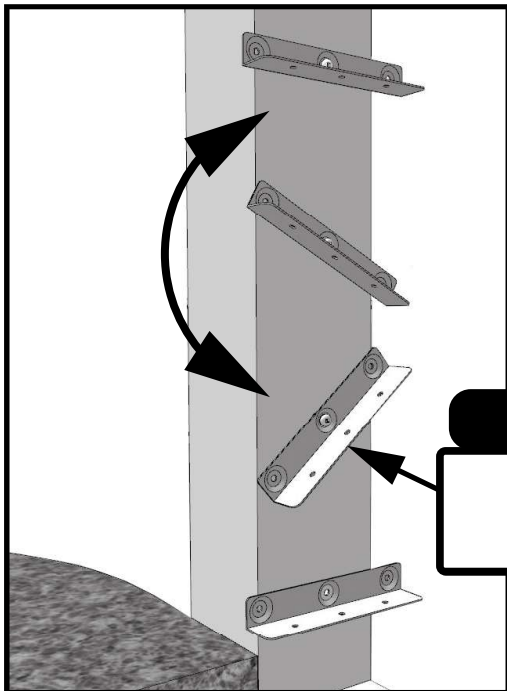
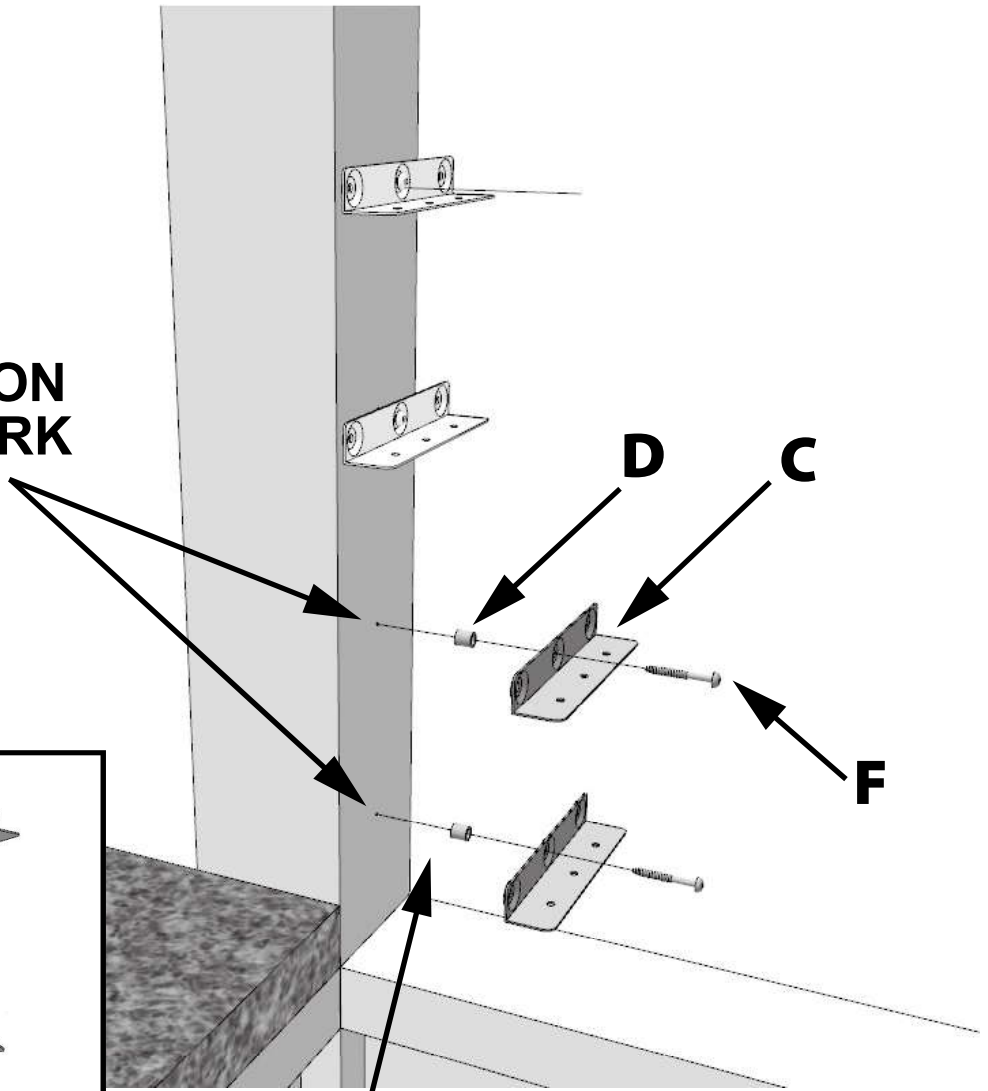
## STEP 2 - HOLE POSITION STRIP



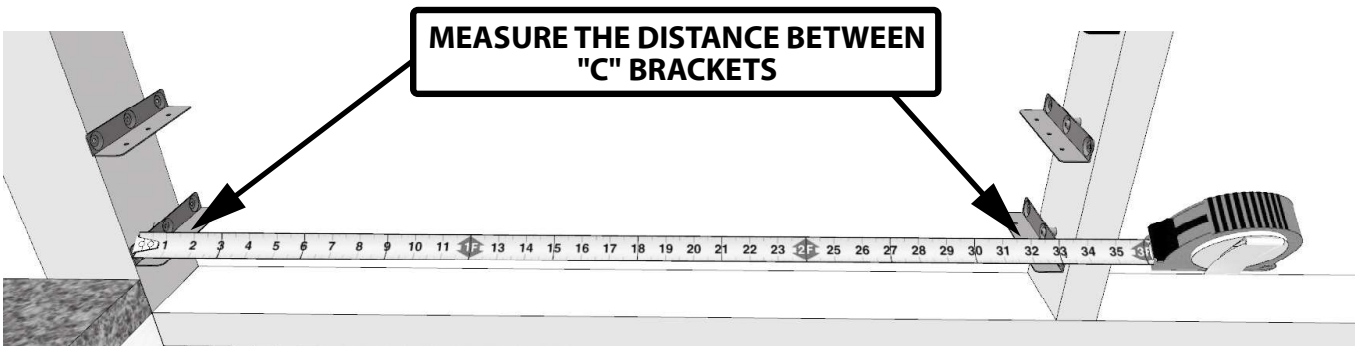
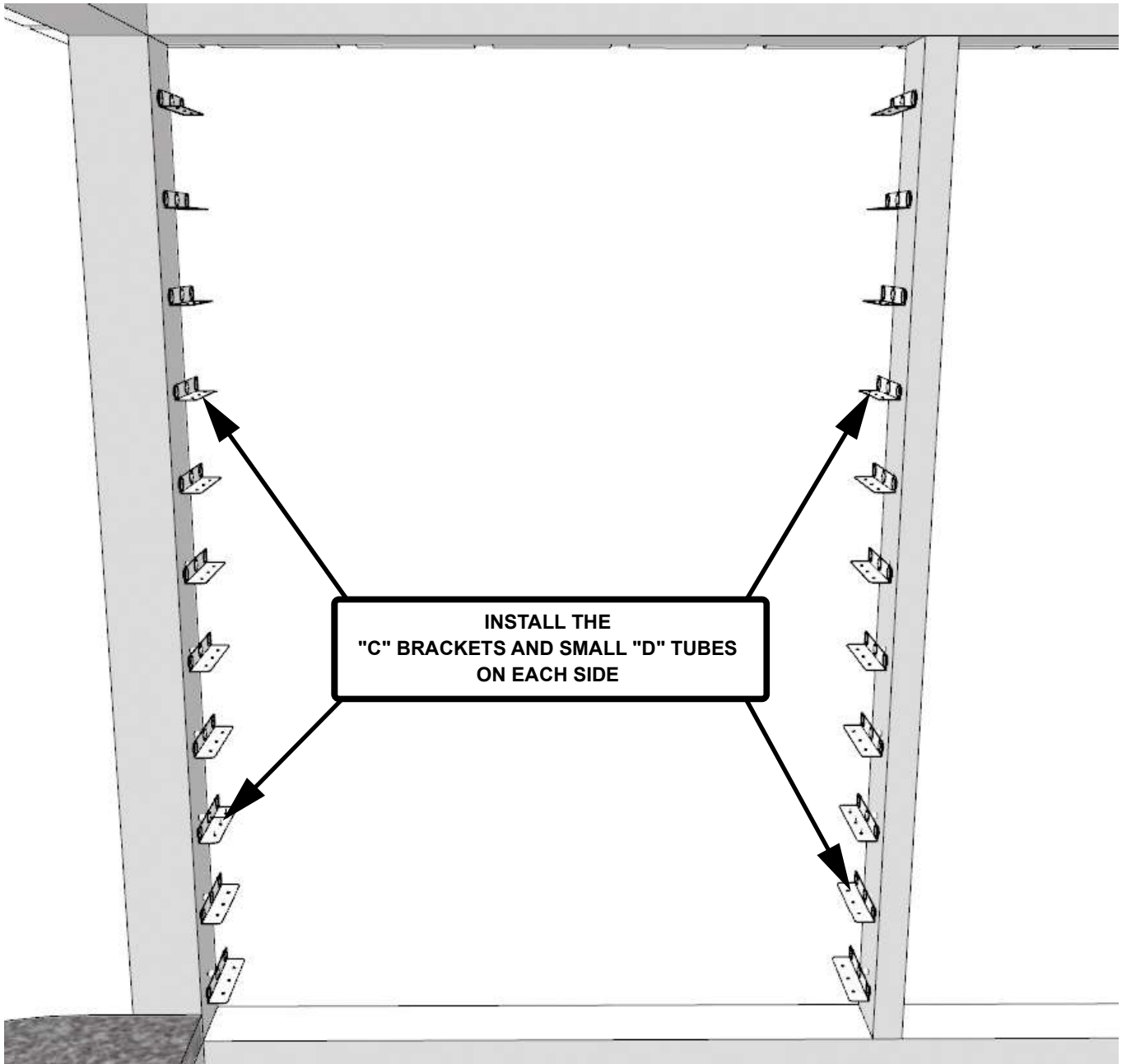
# STEP 3 - INSTALLING "C" AND "D" PARTS



**INSTALL ON EACH MARK**

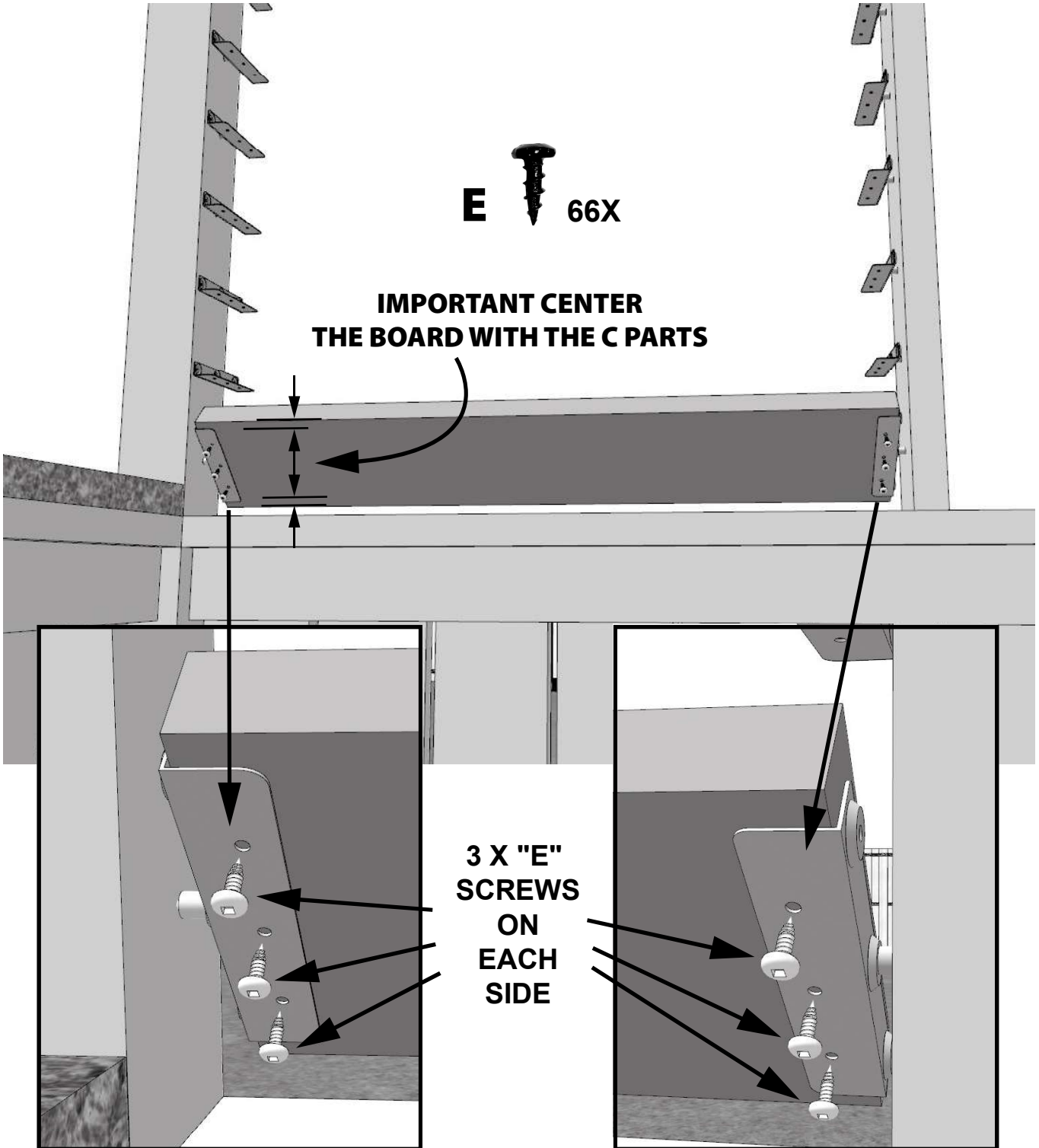


**IMPORTANT**  
"C" BRACKETS MUST ROTATE FREELY

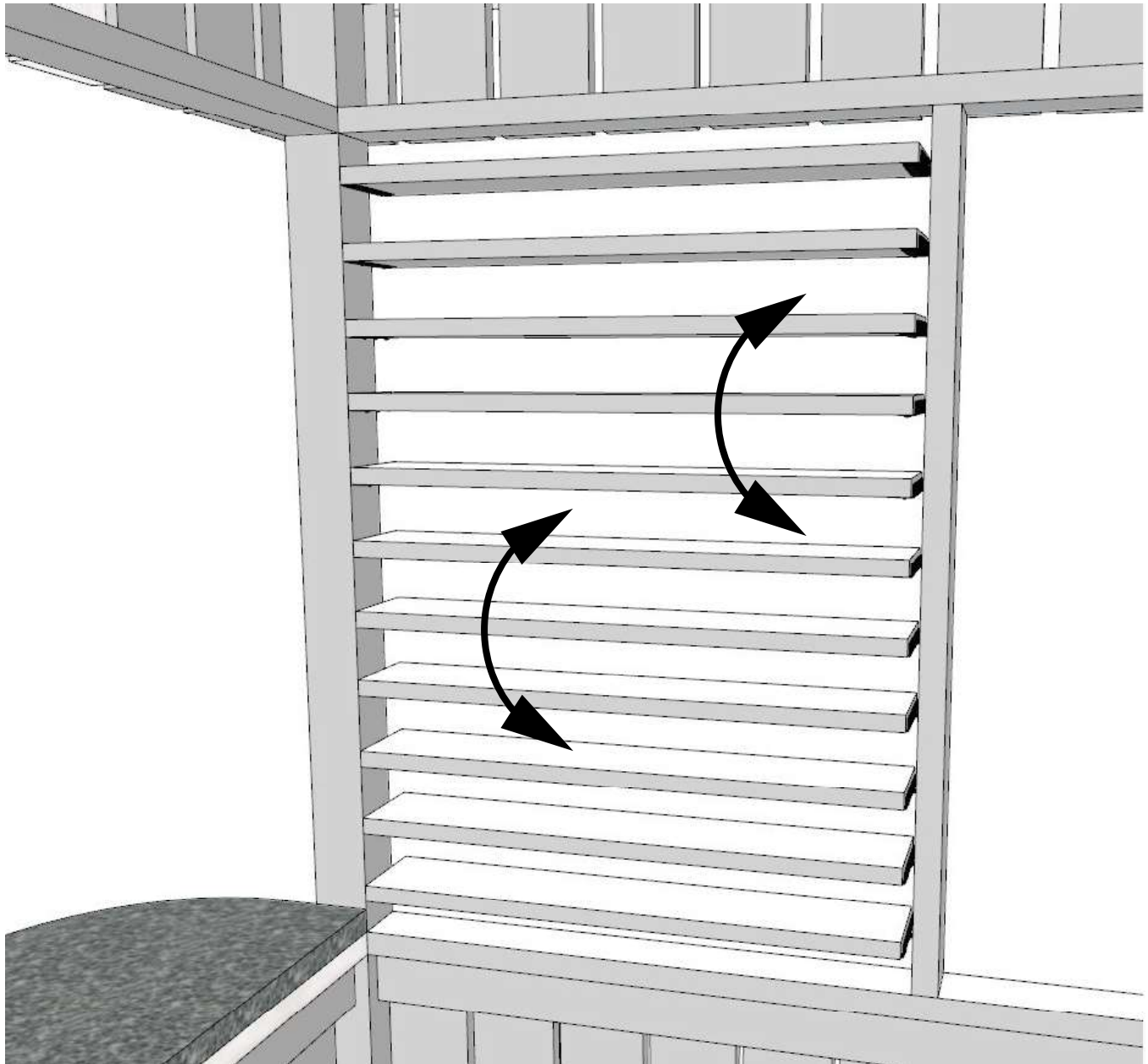


**(Repeat this step for each board, it is possible that the boards are not all exactly the same length)**

# STEP 4 - INSTALLING THE BOARDS





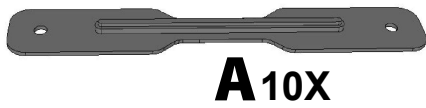


**IMPORTANT**

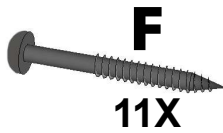
**BOARDS MUST  
ROTATE FREELY**



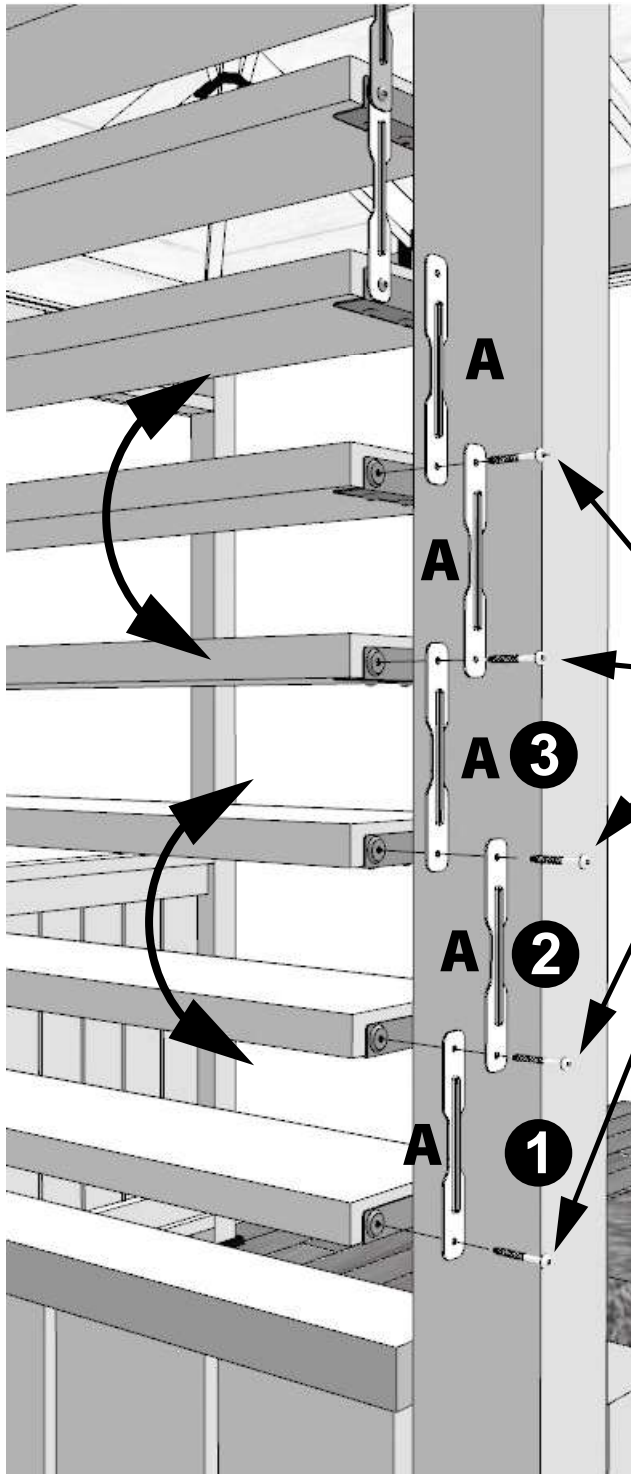
# STEP 5 - INSTALLING "A" PARTS



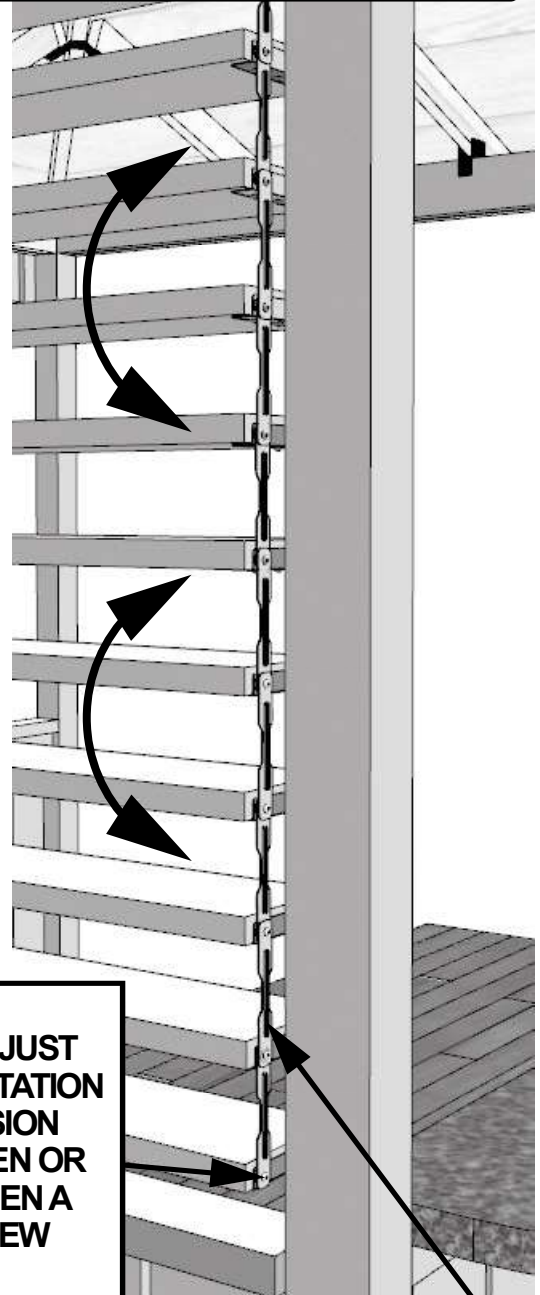
**A10X**



**F11X**



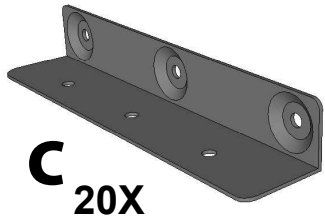
**IMPORTANT**  
**BOARDS MUST ROTATE FREELY**



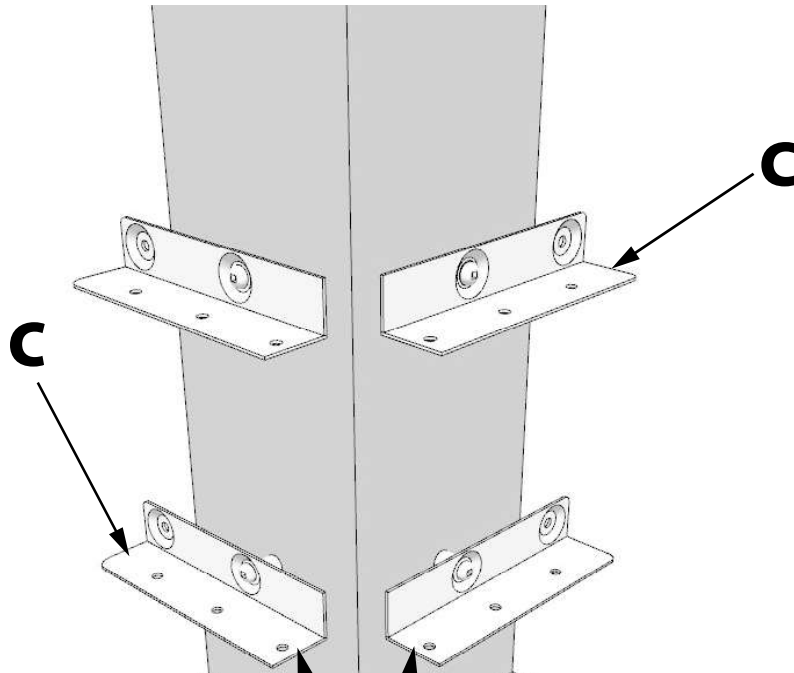
TO ADJUST THE ROTATION TENSION TIGHTEN OR LOOSEN A SCREW

"A" PARTS ONLY FIT ON ONE SIDE.

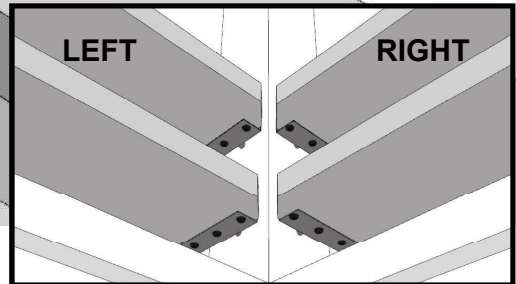
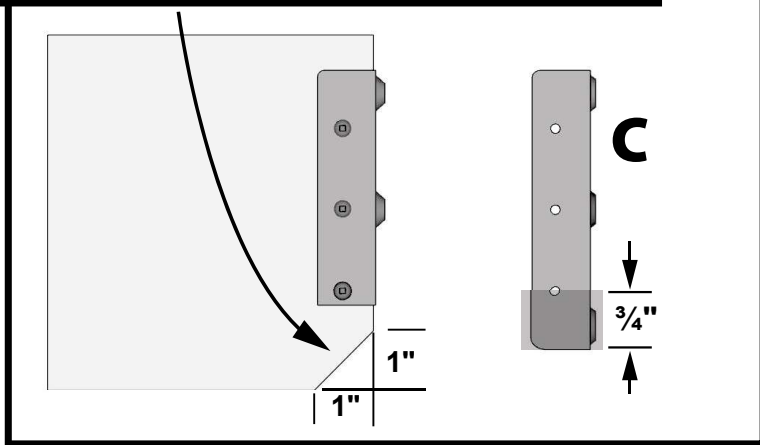
# STEP 6 - INSTALLATION ON A 4" X 4" (CORNER)



## 4" X 4" POST ONLY

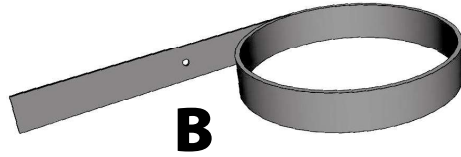


**CUT THE CORNER OF THE BOARDS AT 45° AND BRACKETS AS SHOWN**

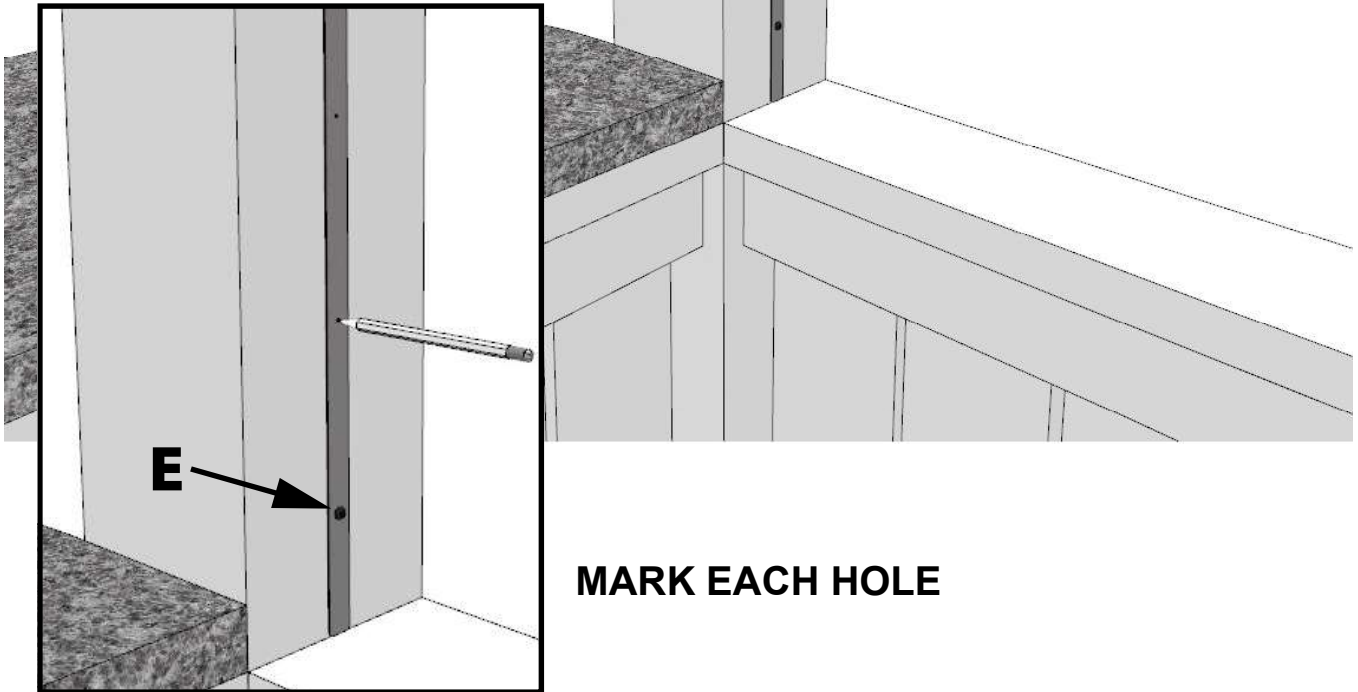
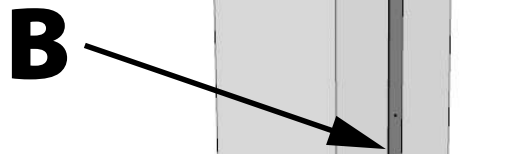


**CUT THE 3/4" METAL BRACKETS**

**STEP 1 - INSTALLATION ON A 6" X 6"**

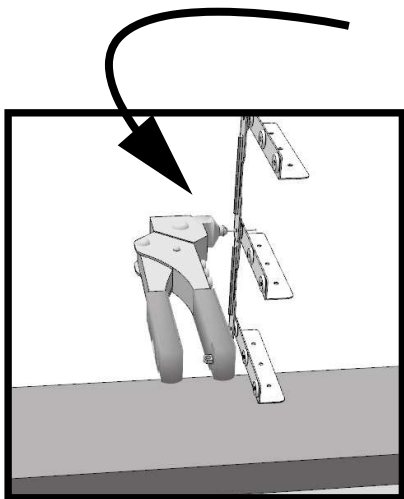
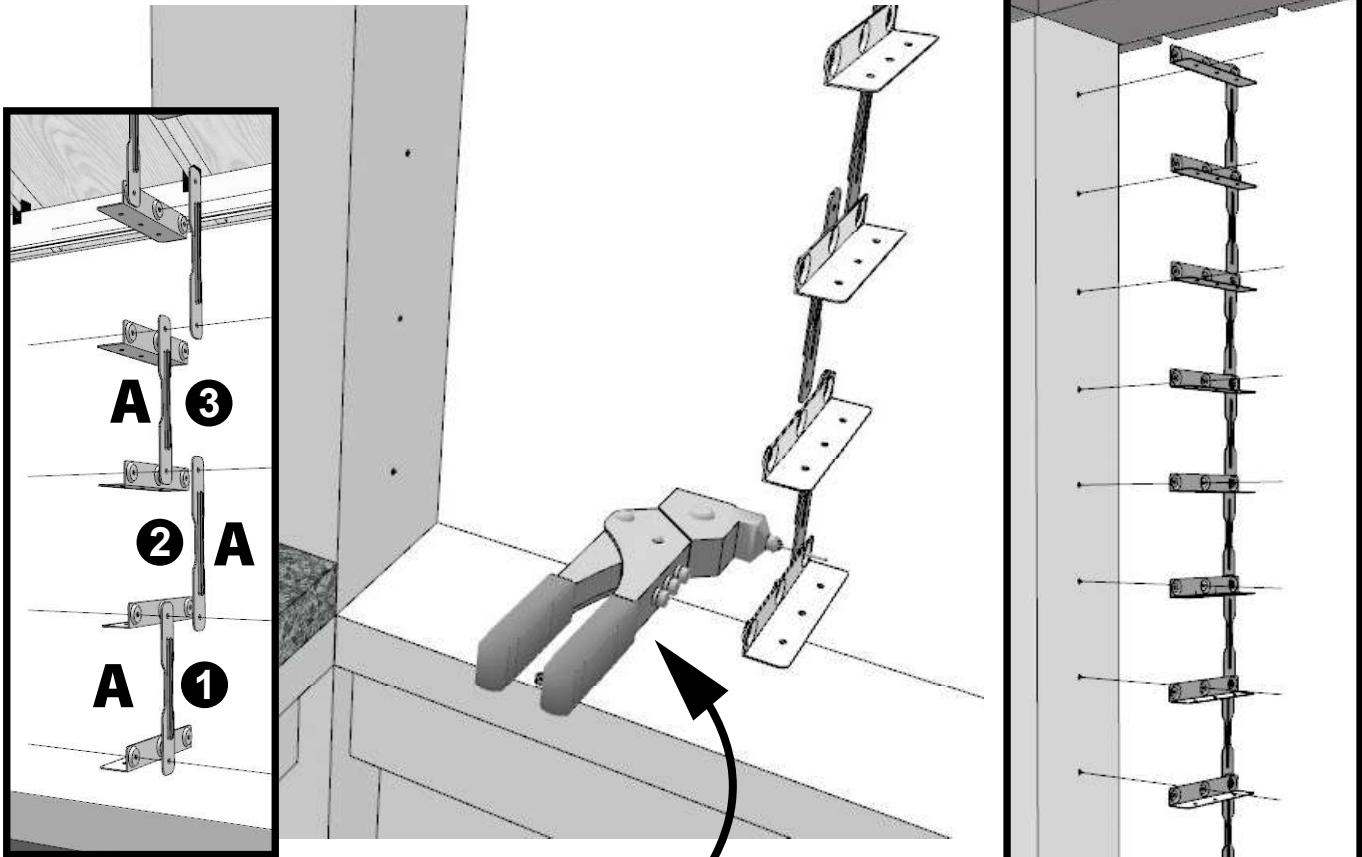
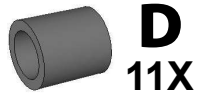
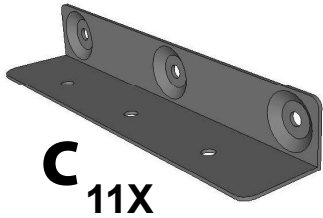


**6" X 6" POST**

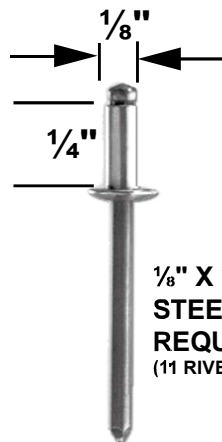


**MARK EACH HOLE**

# STEP 2 - RIVET INSTALLATION



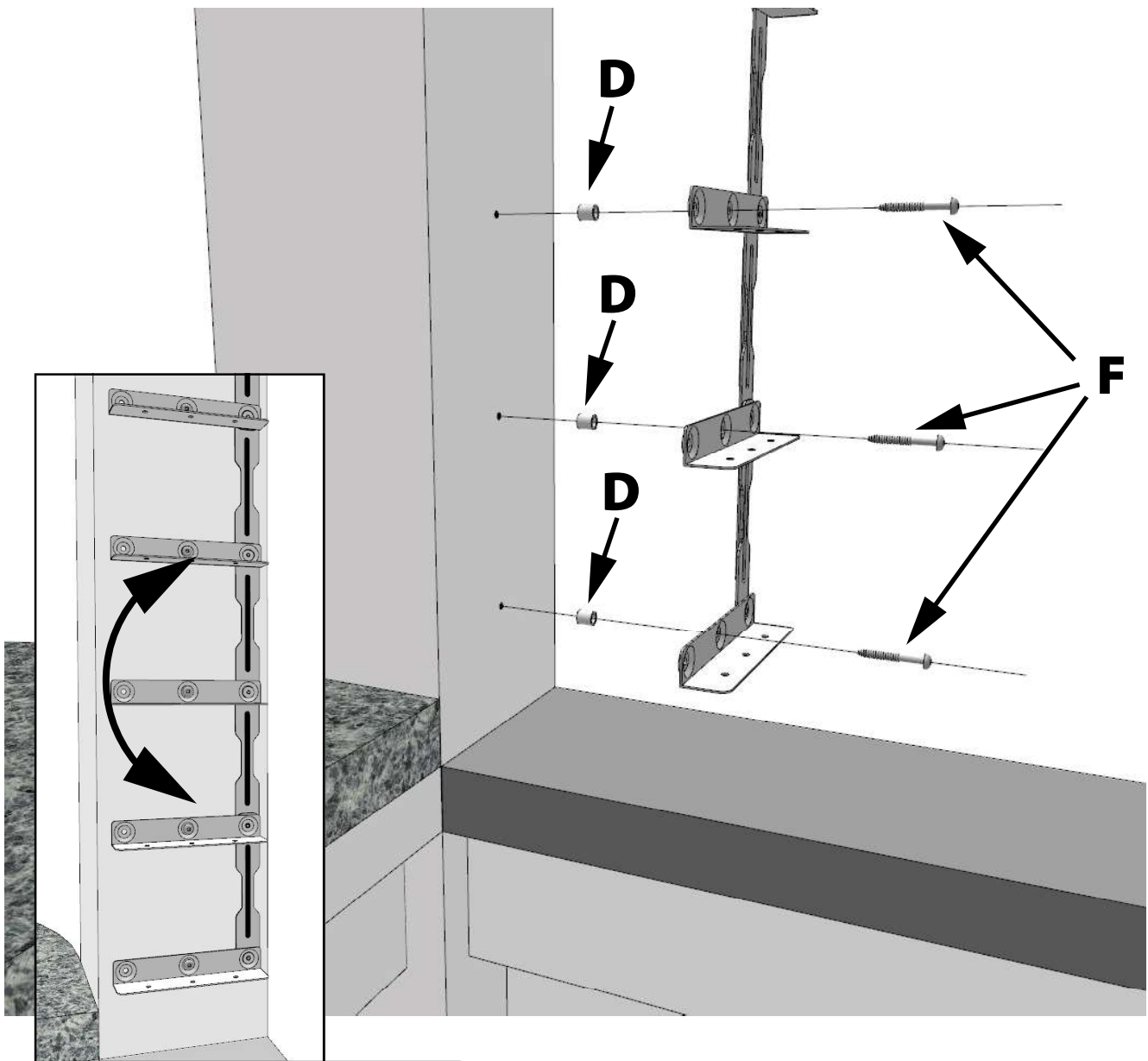
**RIVET GUN**



**ASSEMBLE ALL  
"A" AND "C" PARTS  
AS SHOWN  
WITH RIVETS  
ON ONE SIDE ONLY**

**1/8" X 1/4"  
STEEL RIVETS ARE  
REQUIRED  
(11 RIVETS - NOT INCLUDED)**

**STEP 3 - NEXT**



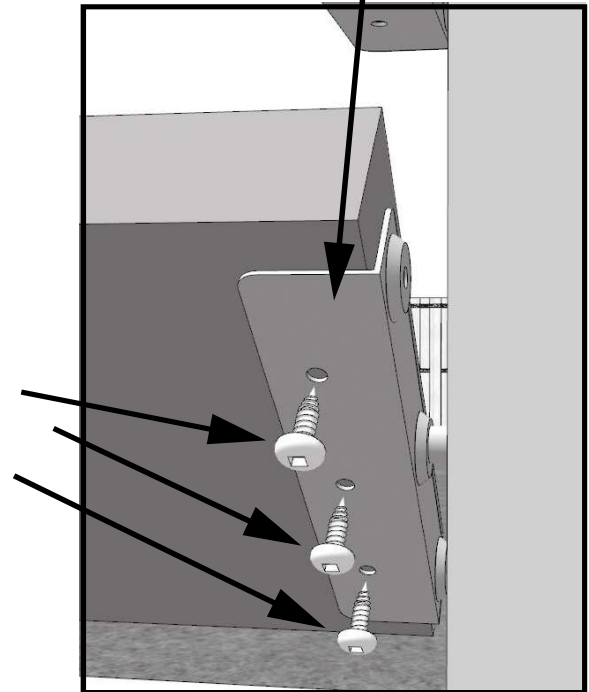
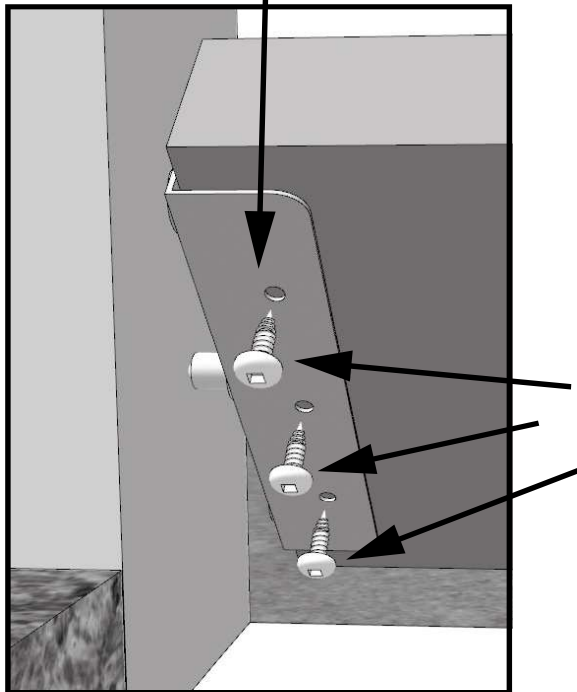
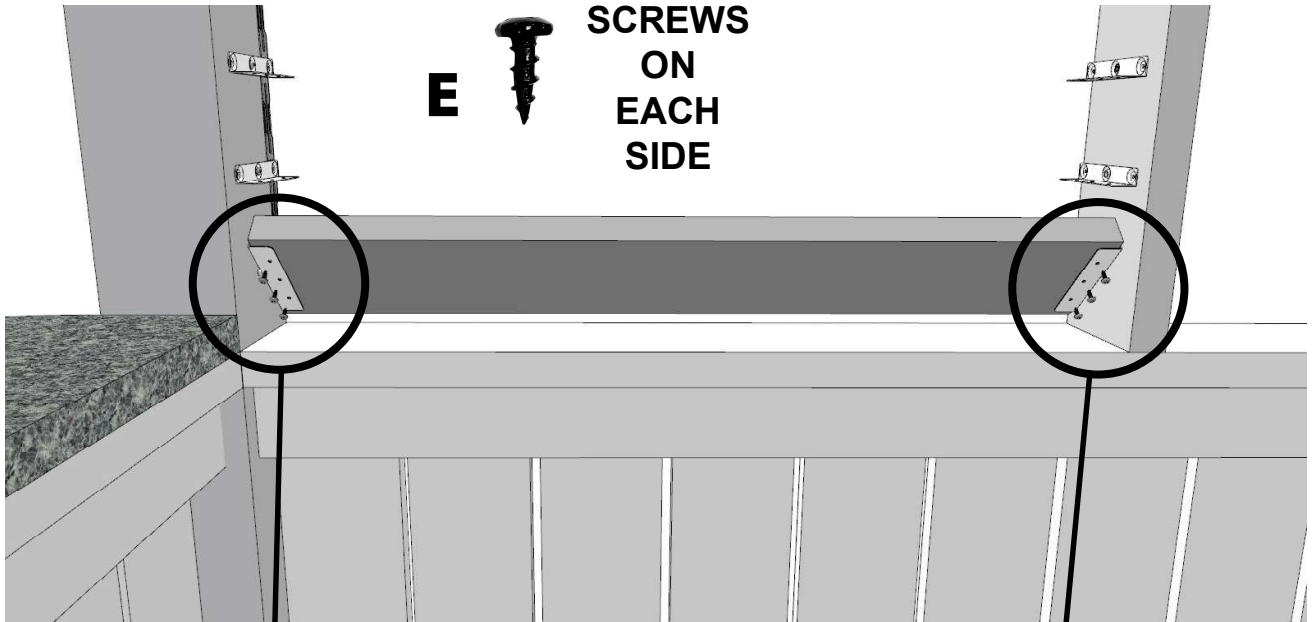
**IMPORTANT**  
"C" BRACKETS MUST  
ROTATE FREELY

# STEP 4 - INSTALLATION THE BOARDS

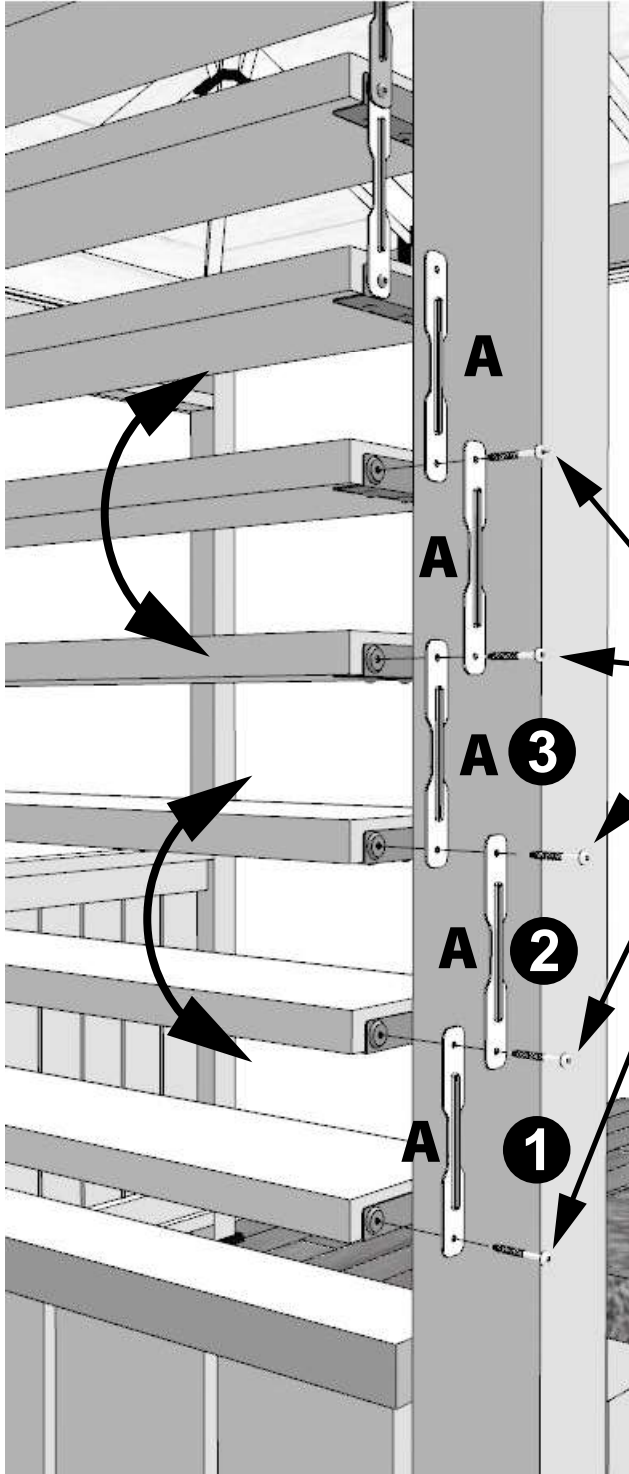


3 X "E"  
SCREWS  
ON  
EACH  
SIDE

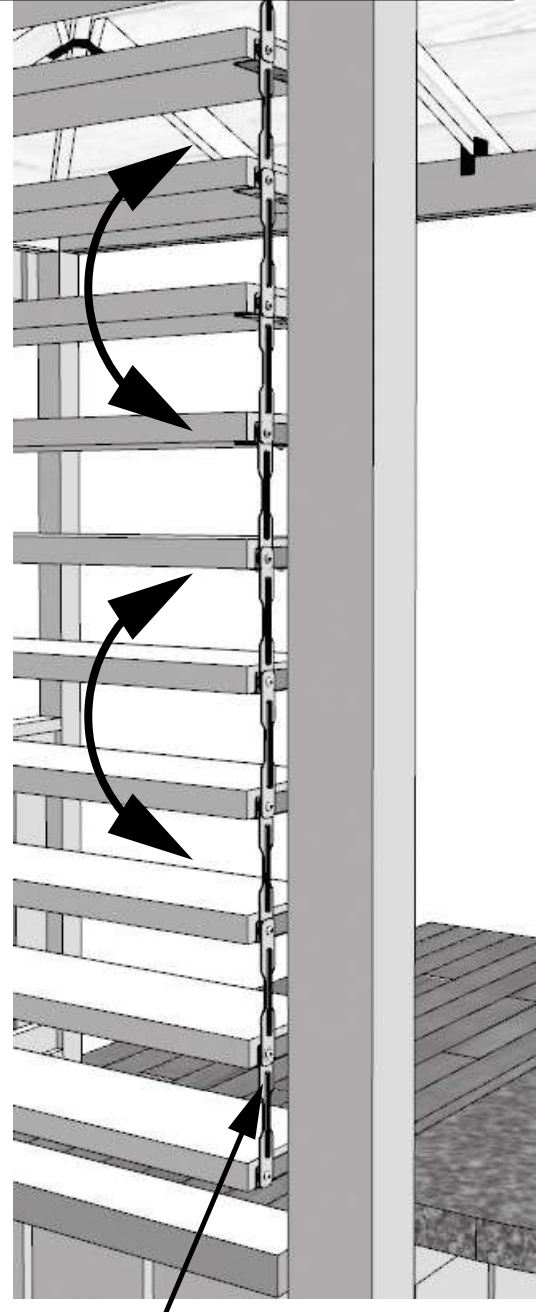
E







**IMPORTANT**  
**BOARDS MUST ROTATE FREELY**







## RATE US!



### Satisfied with your Pylex product?

Please let us know by sharing pictures with us at [info@pylex.com](mailto:info@pylex.com)  
You can also write a review online  
about your purchase.

*(By sending your image, you agree to give Pylex the right to it in its marketing activities).*

*Thank you!*

---

### YOU LIKED OUR PRODUCT?

Visit our website: [www.pylex.com](http://www.pylex.com) to see all our products  
or scan this QR code to have access to our catalog!



### Pylex Guarantee Certificate



Follow us on:

