

Here is the most recent version of the installation video



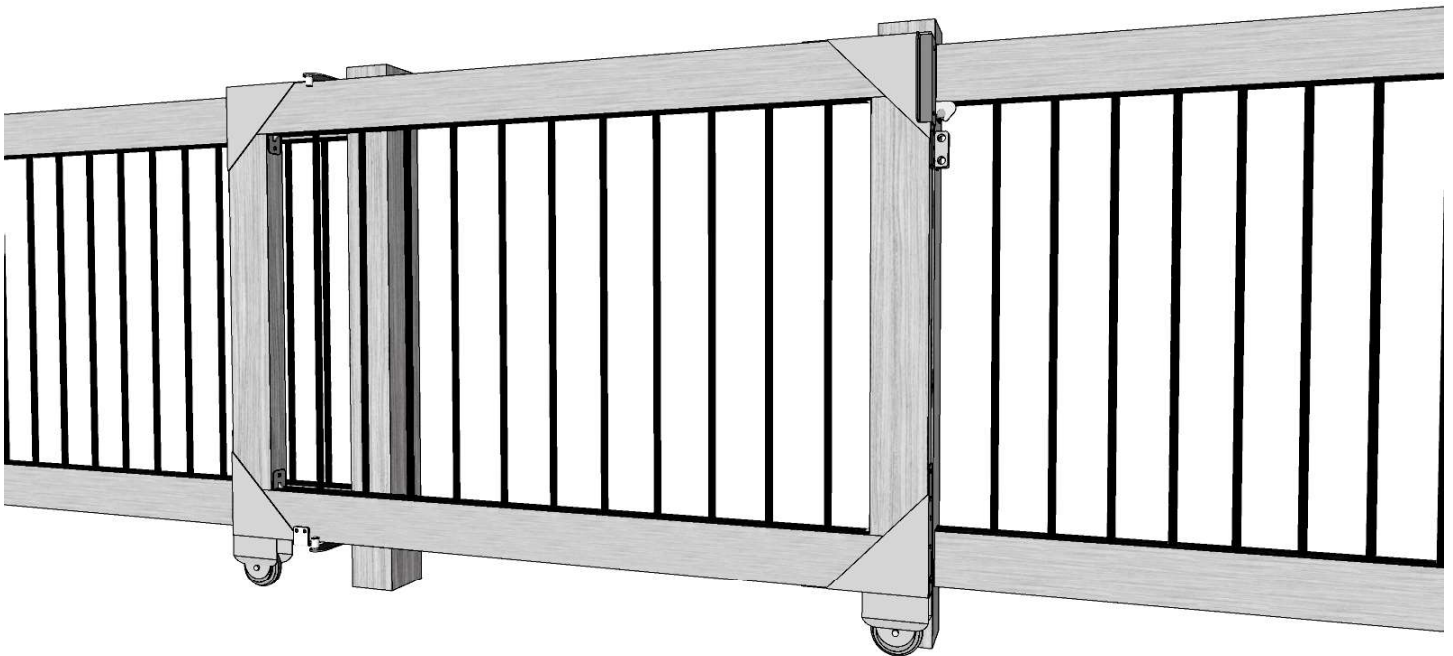
Here you have the most recent version of the installation guide



INSTALLATION GUIDE

SLIDING GATE KIT

11052



Question? - Contact us:

First contact our friendly customer service team for assistance.

Email: info@pylex.com or call: 1-800-264-1881

Monday to Friday: 8:30am to 4:30pm UTC

Replacement for damaged or missing parts will be shipped promptly.

Rev.: 32-0614



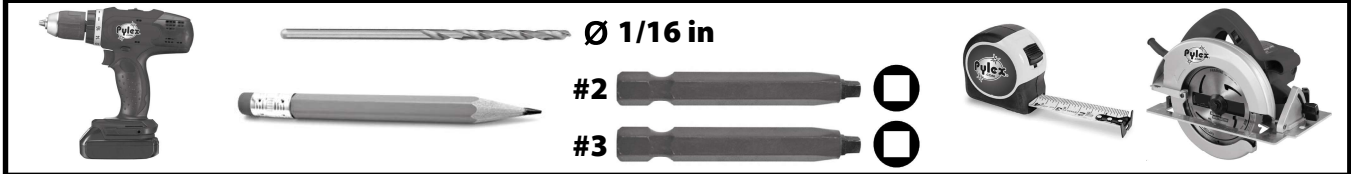
DECK AND FENCE HARDWARE

WWW.PYLEX.COM / 1 800-264-1881

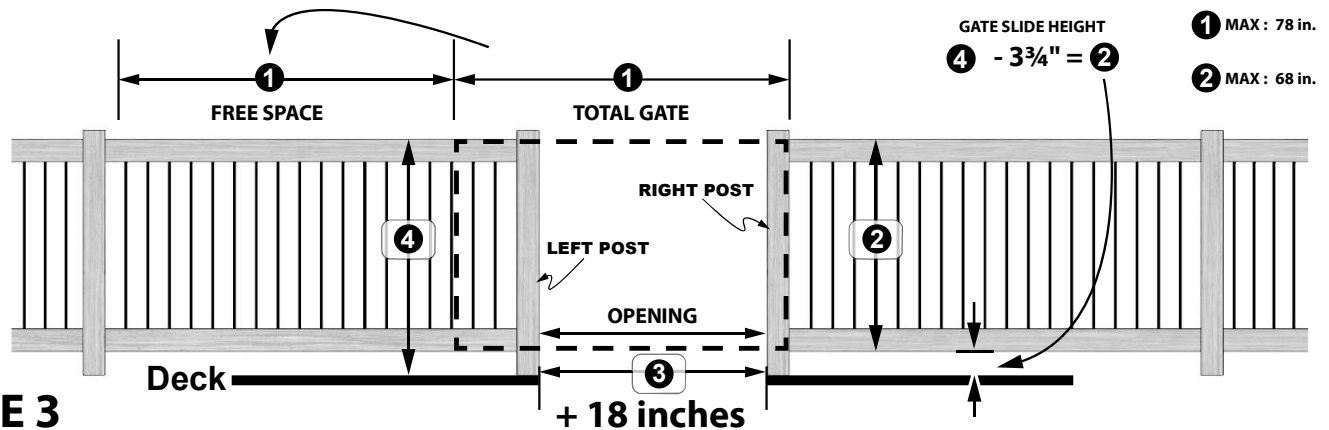
PARTS LIST

A 4X		B 1X		C 2X		D 1X		E 1X	
F 4X		G 1X		H 2X		I 2X		J 2X	
K #12 X 2 in 26X		L #12 X 1 in 15X		M #10 X 1 in 28X		N #10 X 3/4 in 1X		WASHERS 2X	

TOOLS REQUIRED



LEFT SIDE OPENING

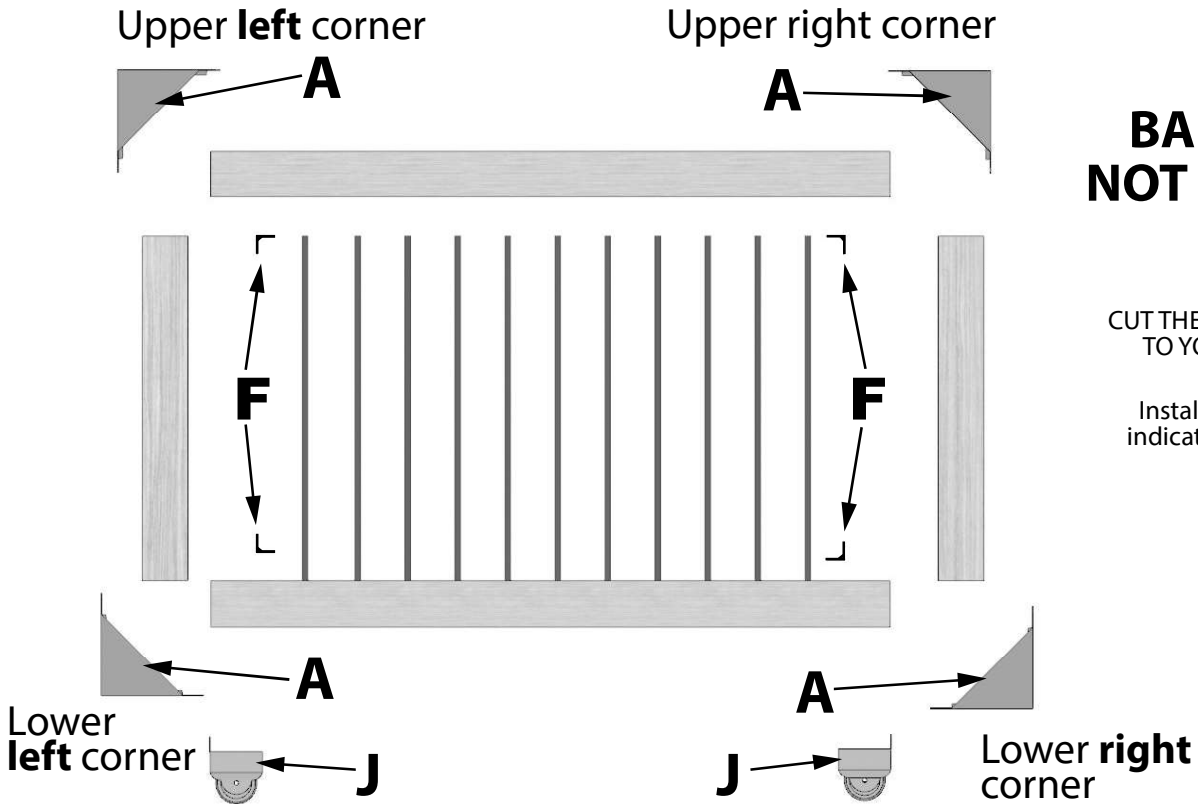


PAGE 3

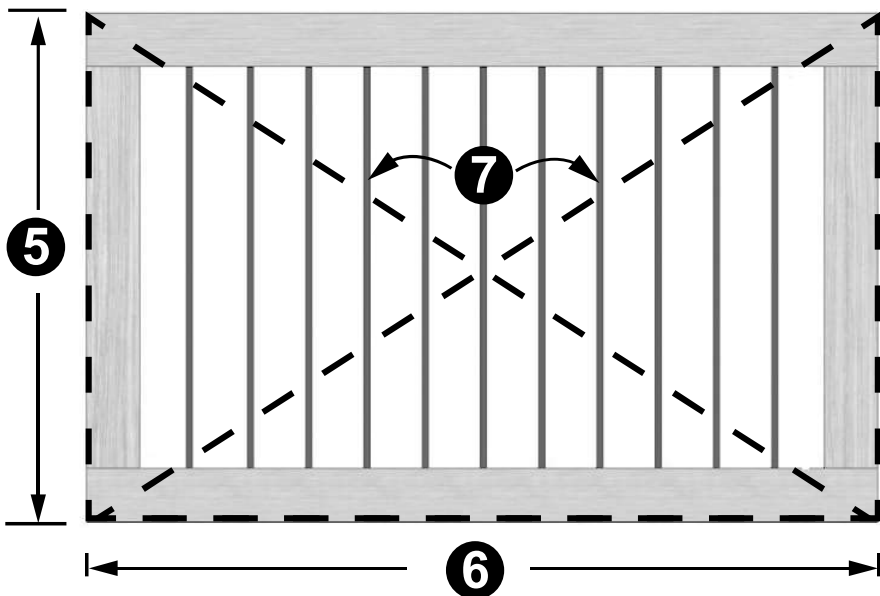
FOR THE RIGHT SIDE OPENING - SEE PAGE 17

2" X 4" OR 2" X 6" - CAN BE USED TO BUILD THE GATE

IT IS RECOMMENDED TO PRE-DRILL ALL MARKS WITH A 1/16" DRILL BIT.



DIMENSIONS MIGHT DIFFER ACCORDING TO THE DIMENSIONS OF THE GATE

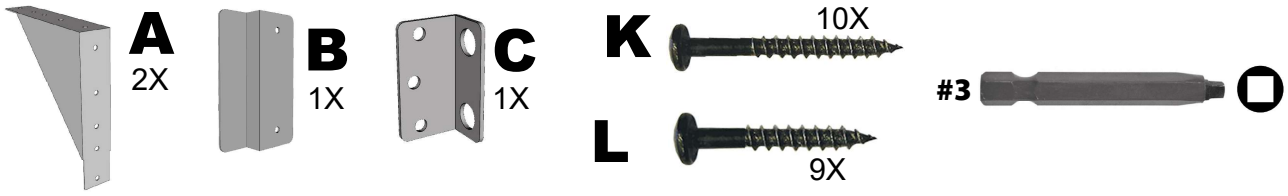


ENSURE THAT THE CORNERS AND EDGES OF THE GATE ARE SQUARED OFF

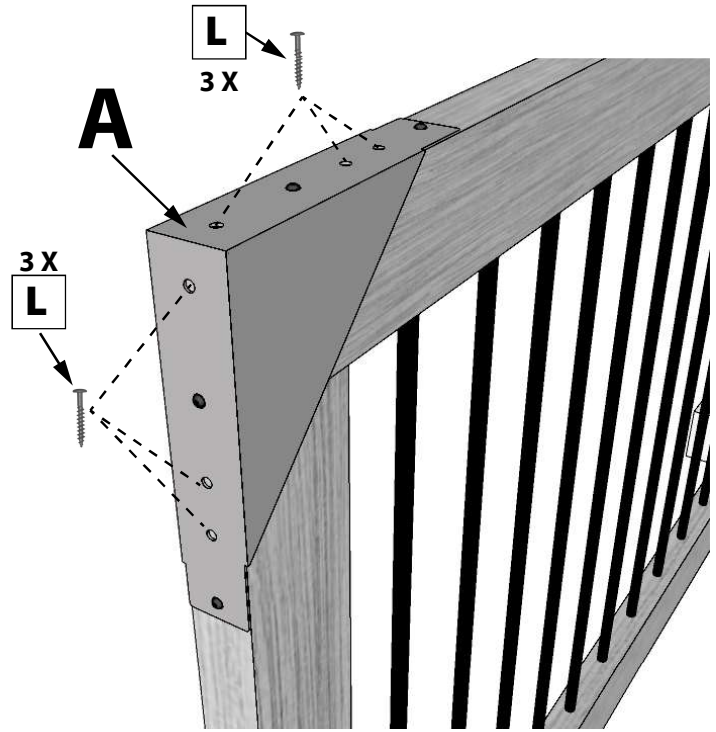
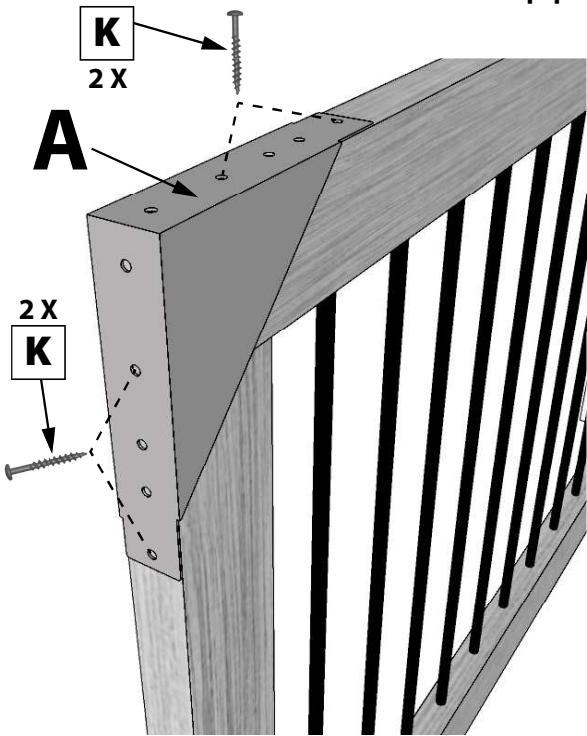
Use the Pythagorean theorem to calculate

$$\mathbf{5}^2 + \mathbf{6}^2 = \sqrt{\mathbf{7}}$$

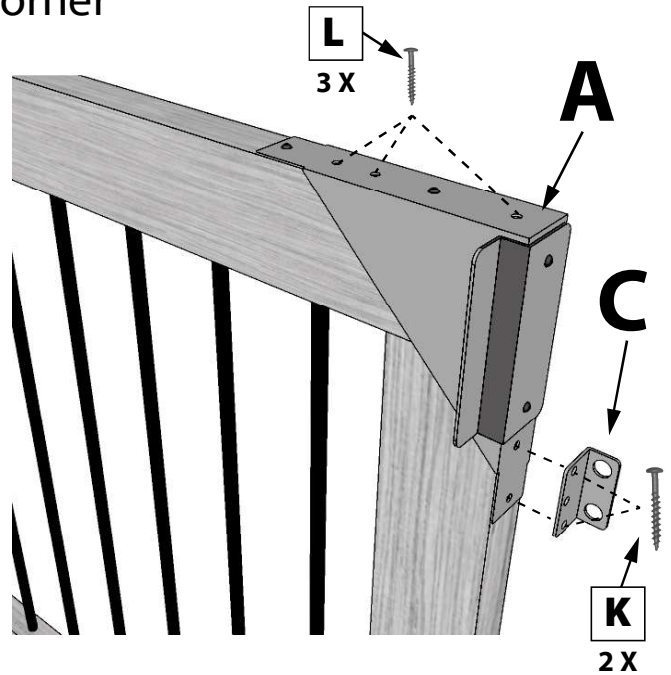
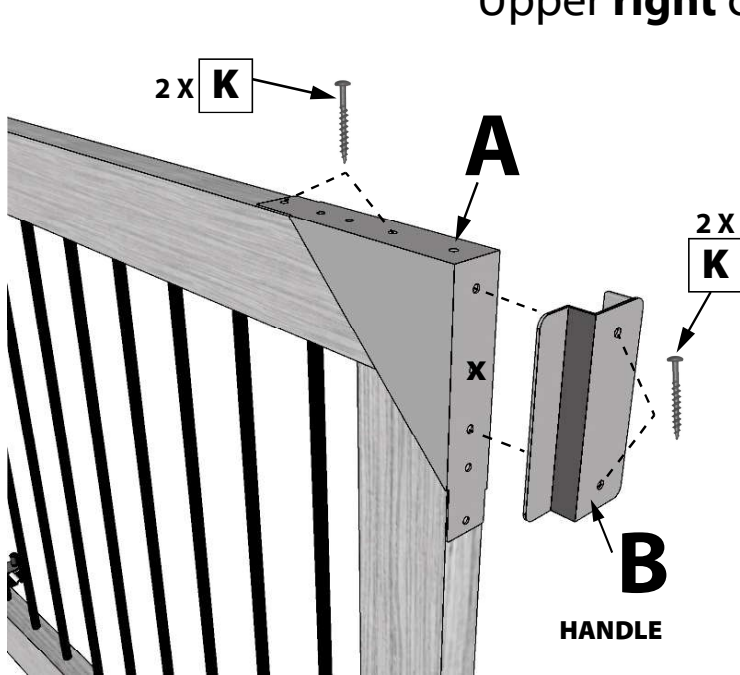
STEP 1 - GATE GATE (PARTS A - B - C)



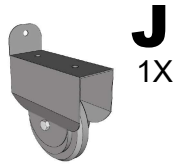
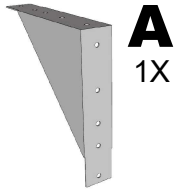
Upper left corner



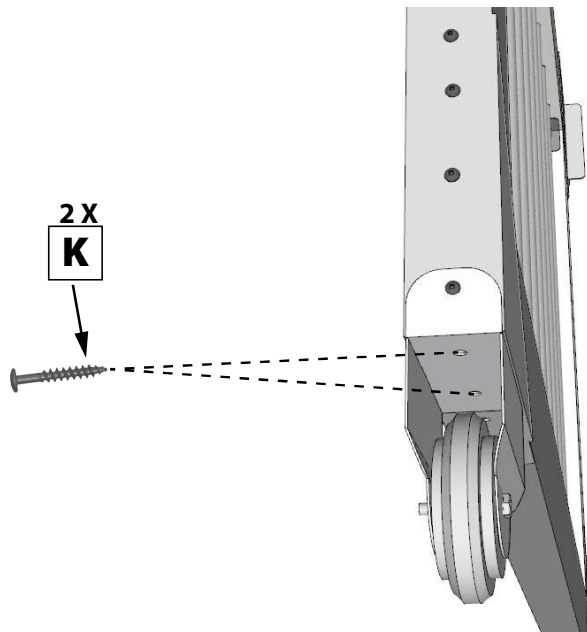
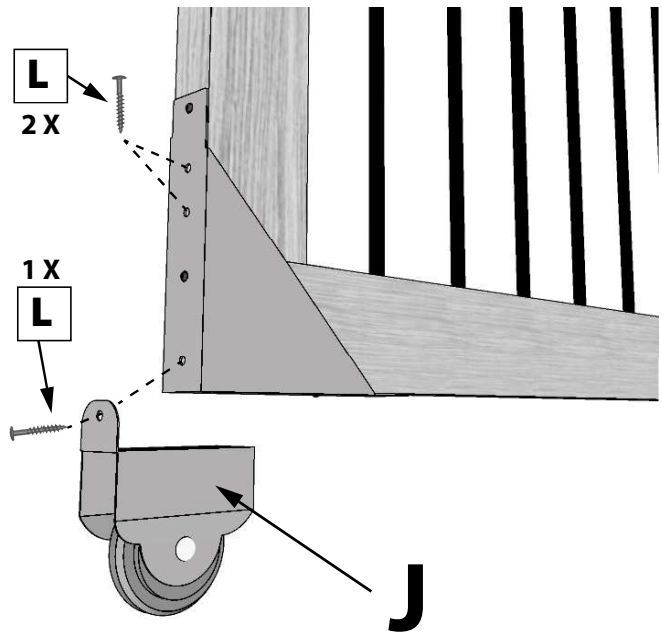
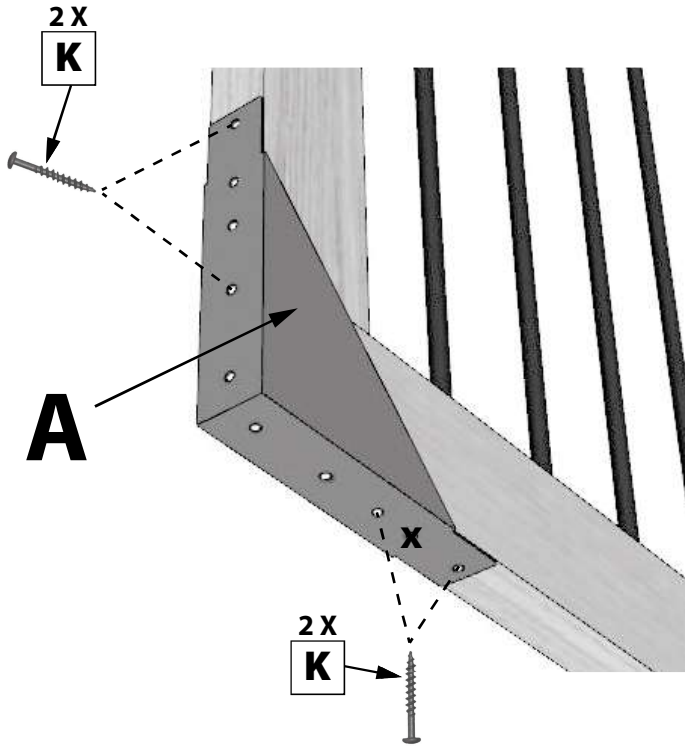
Upper right corner



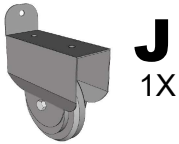
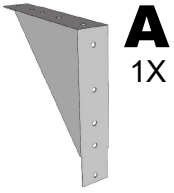
STEP 2 - GATE ASSEMBLY (PARTS A - J)



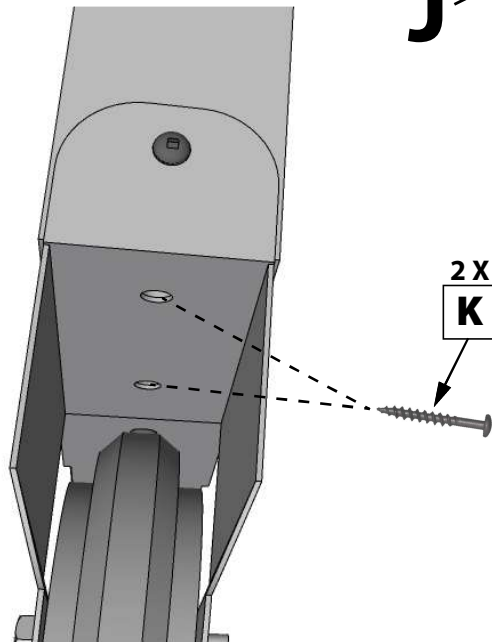
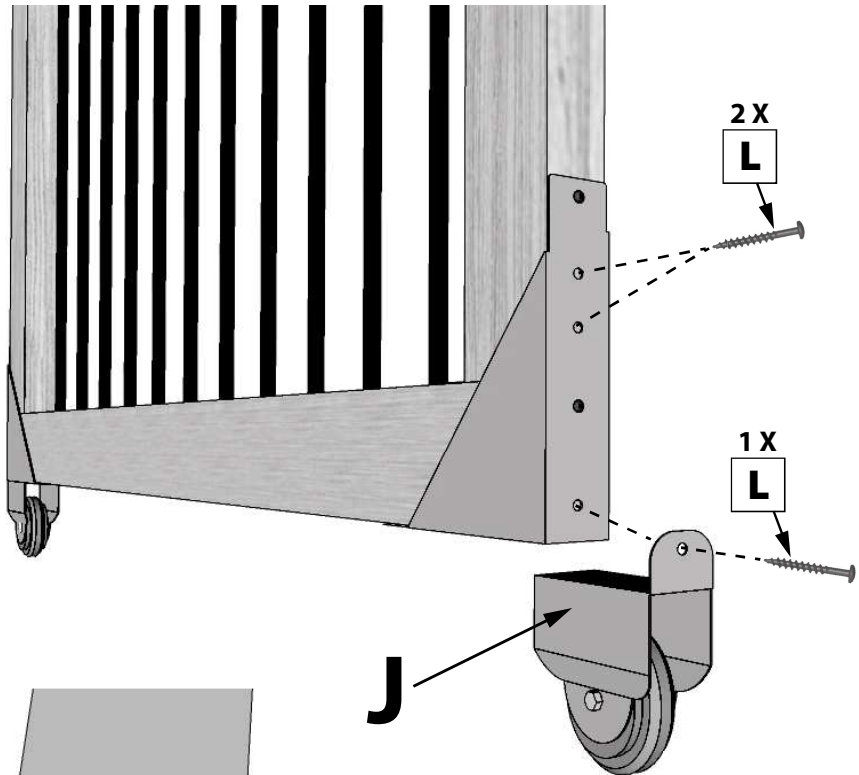
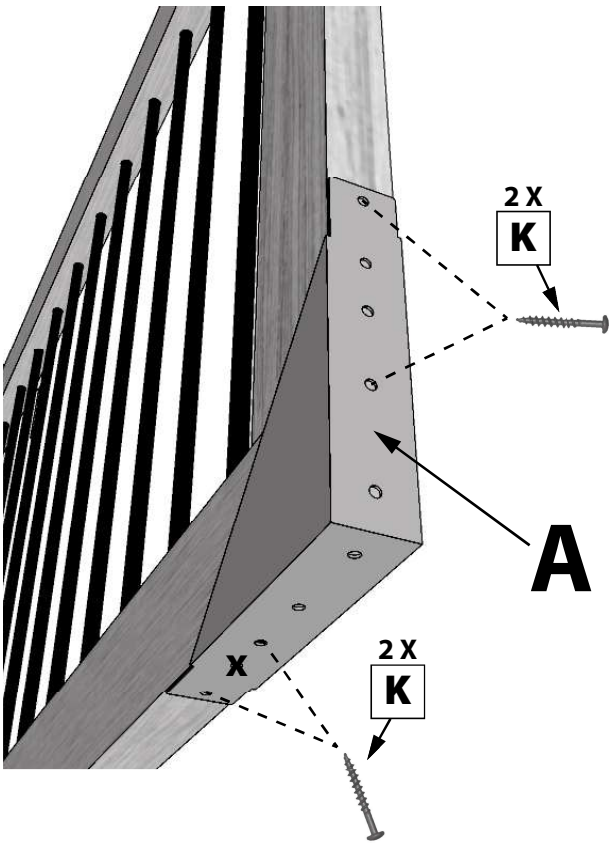
Lower **left** corner



STEP 3 - GATE ASSEMBLY (PARTS A - J)



Lower right corner



STEP 4 - "F" PART ASSEMBLY (ON THE GATE)



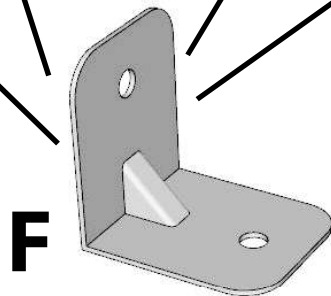
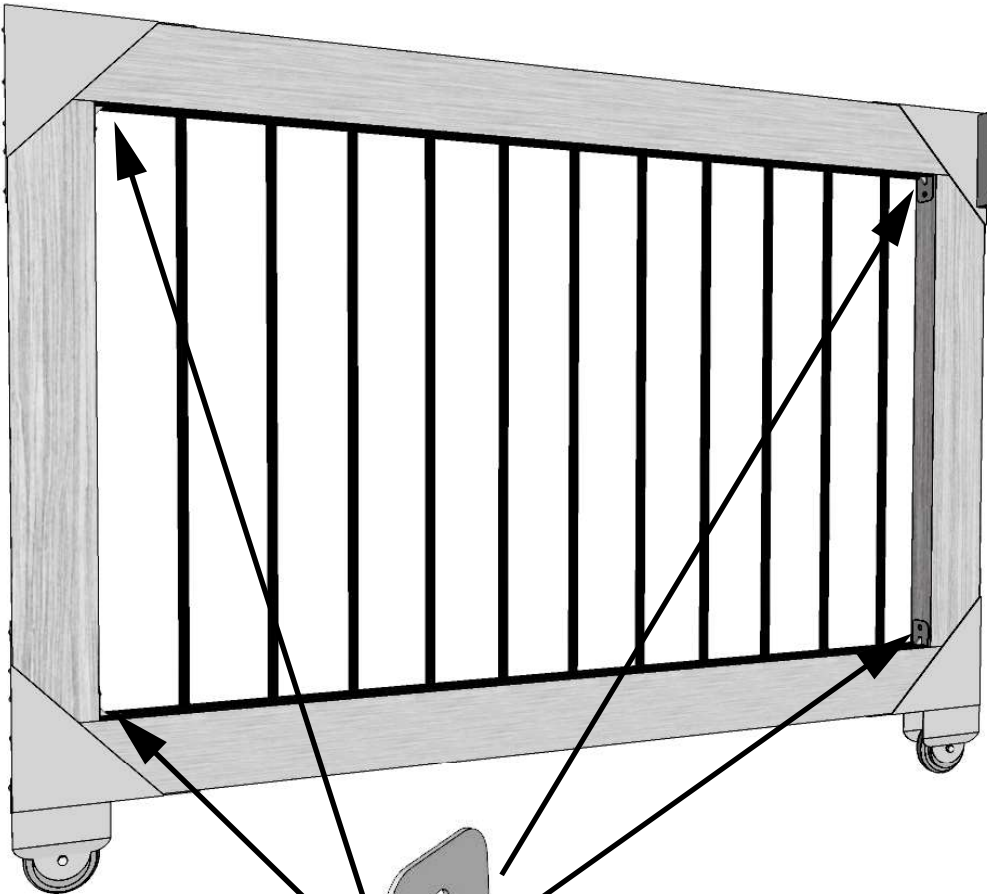
F
4X

M



8X

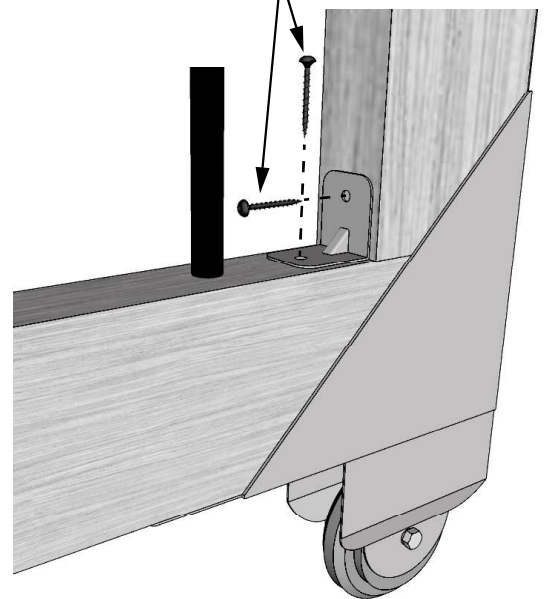
#2



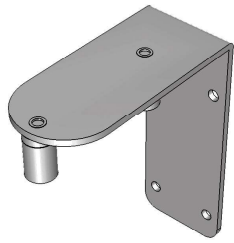
F

2X

M



STEP 5 - "H" PART ASSEMBLY (ON THE GATE)



H
1X

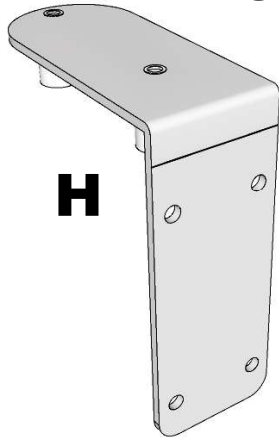


4X



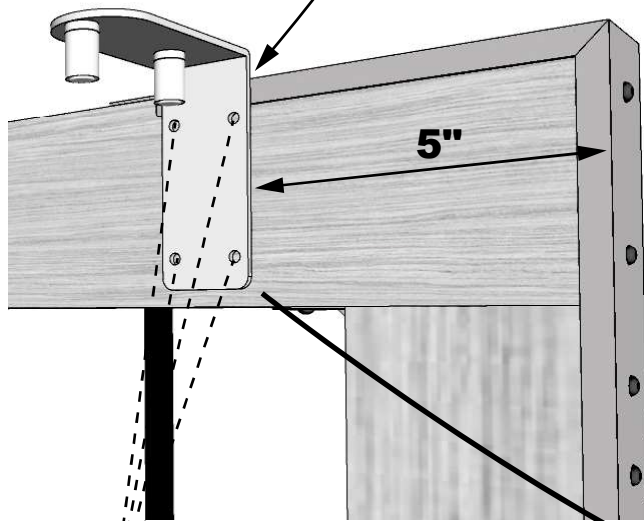
#2

Guide Line



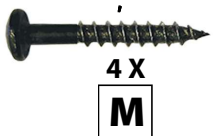
H

Upper **left** corner



Right
SIDE OF HANDLE

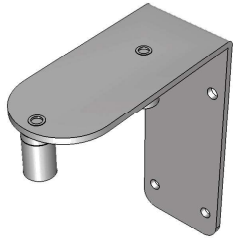
Left



4 X

M

STEP 6 - "H" PART ASSEMBLY (ON THE HANDRAIL)



H
1X

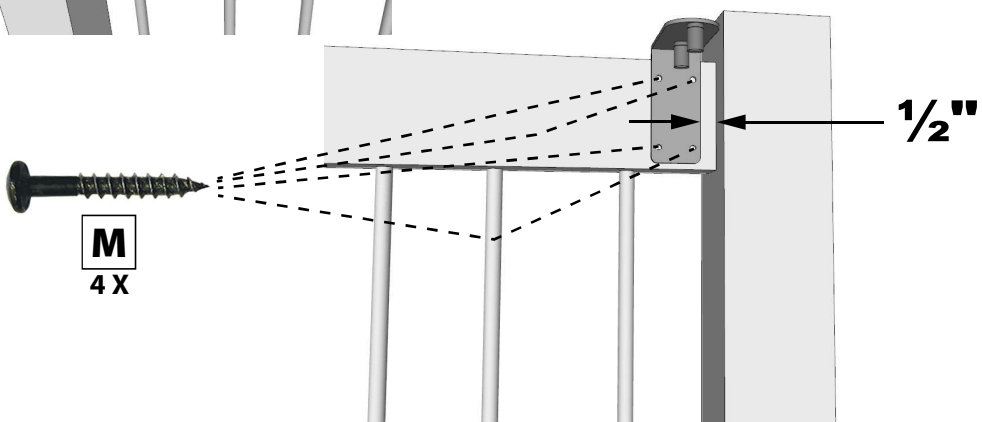
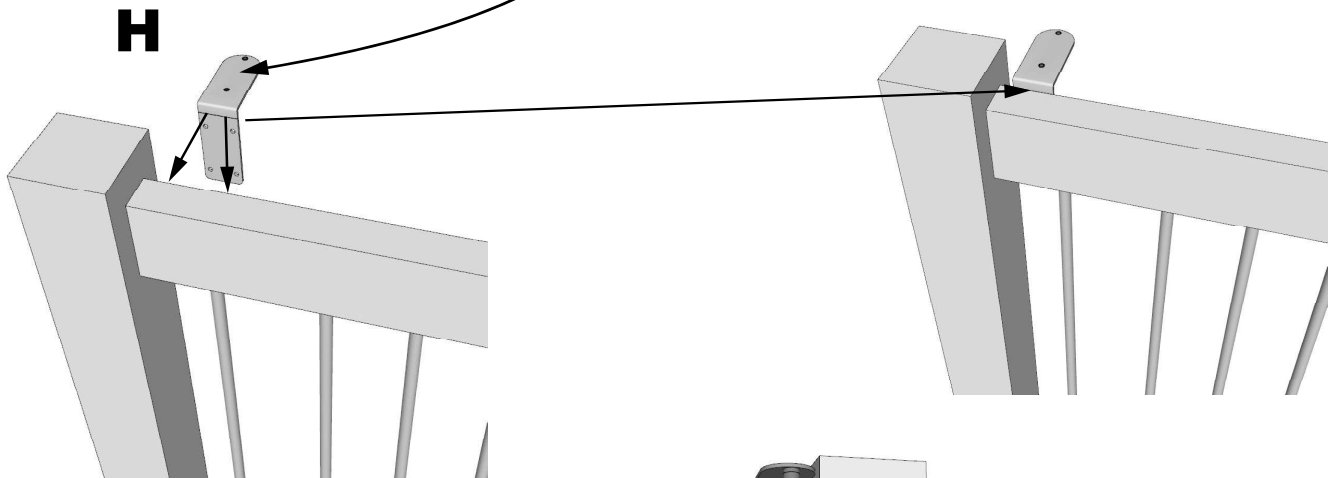
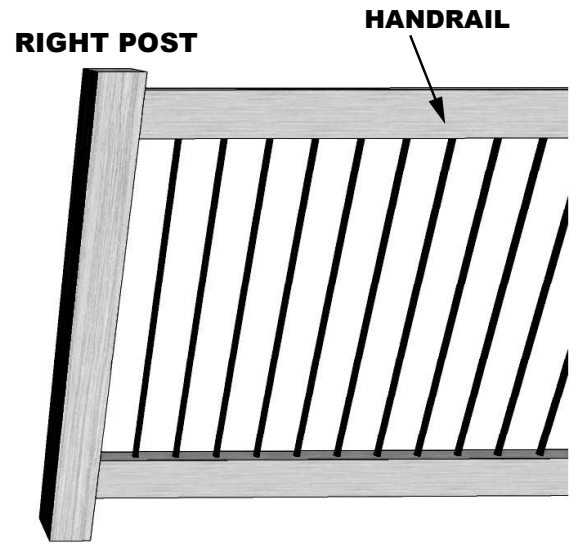
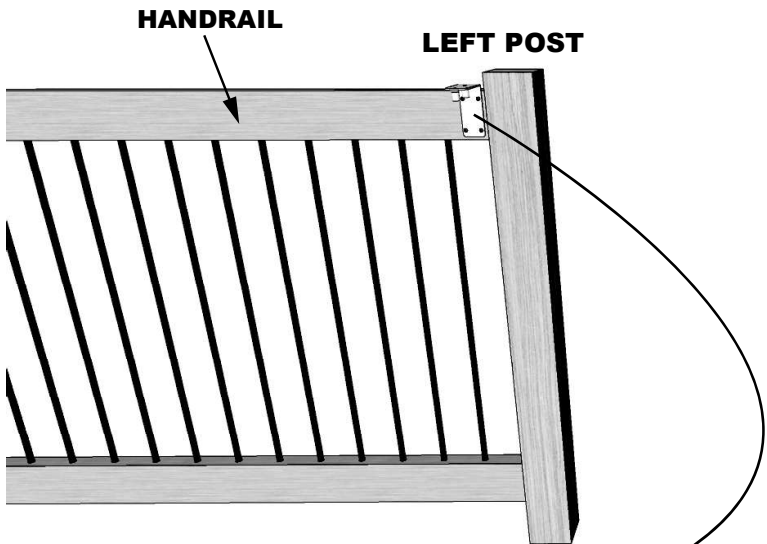


M

4X



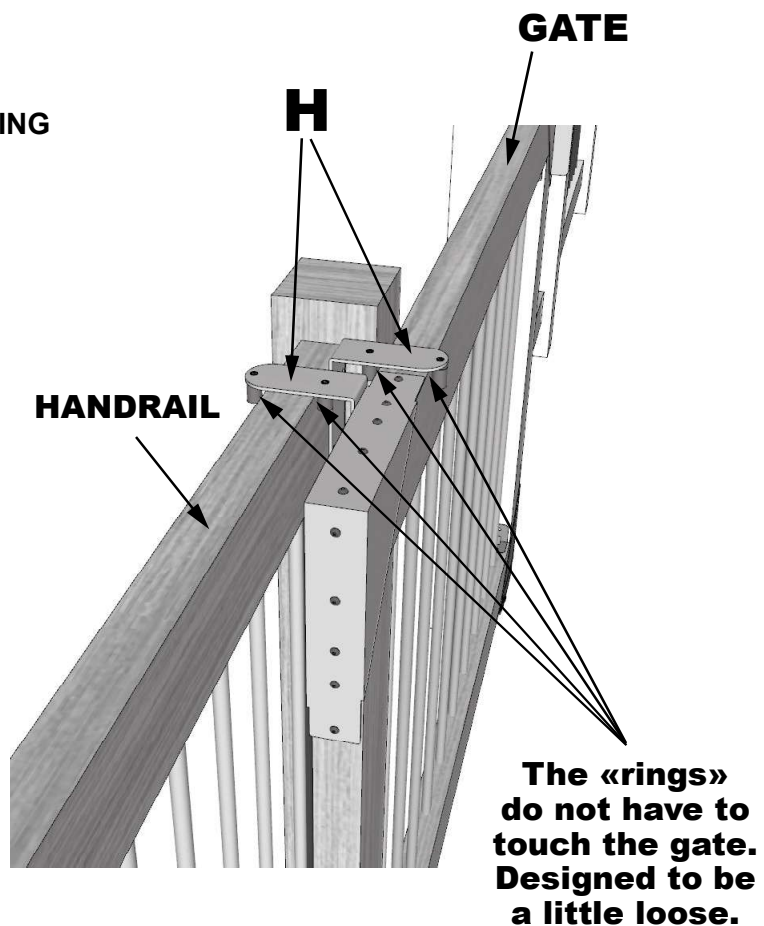
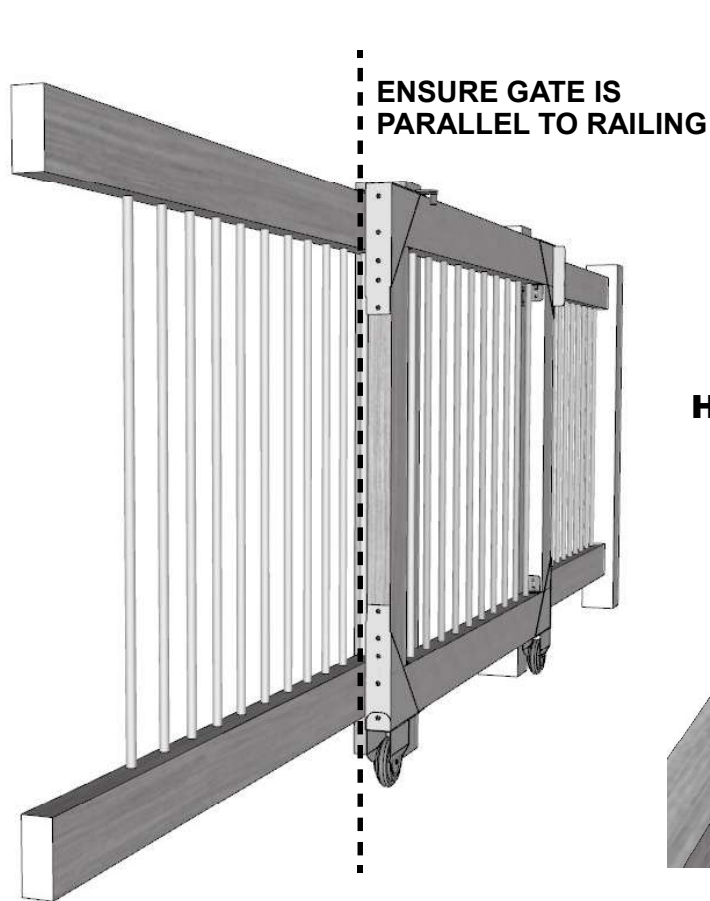
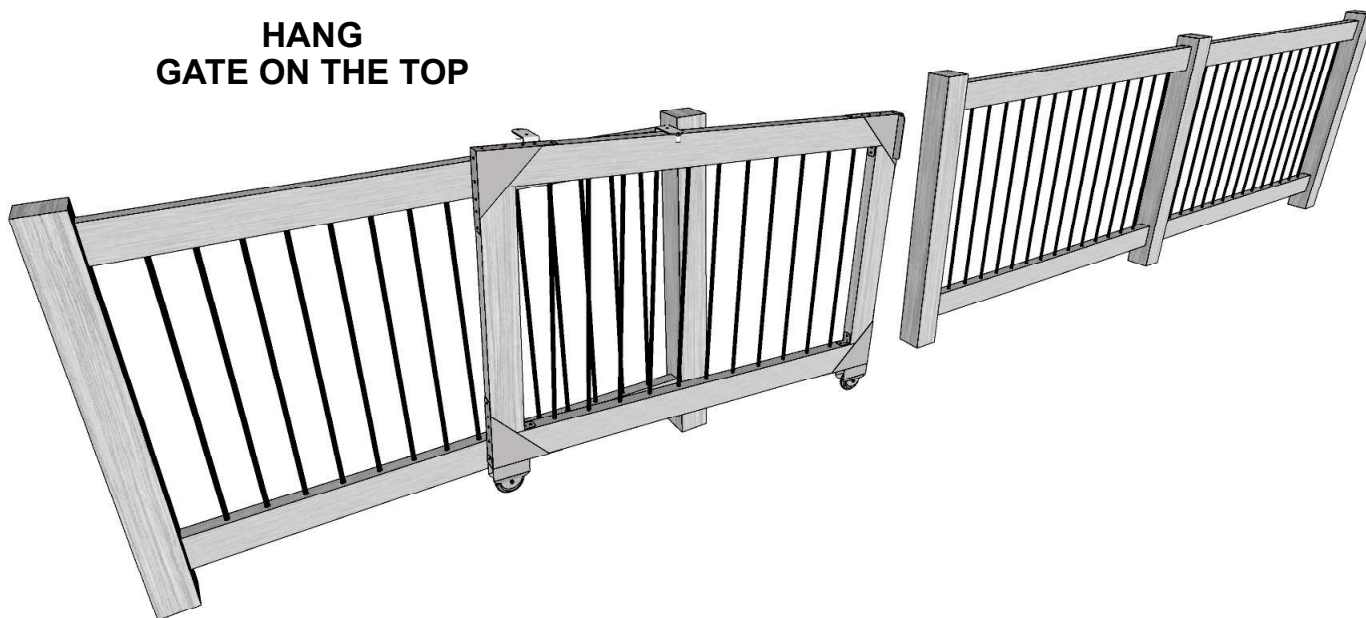
#2



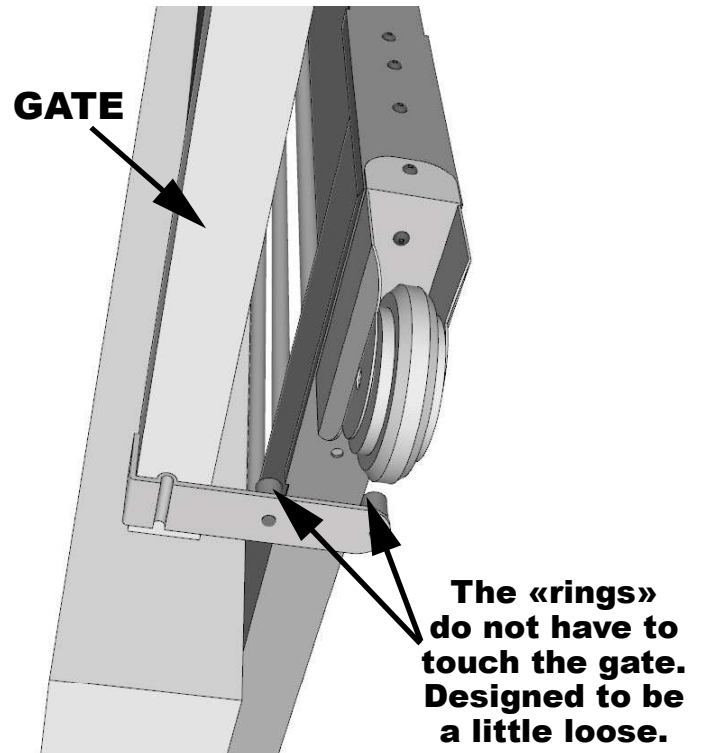
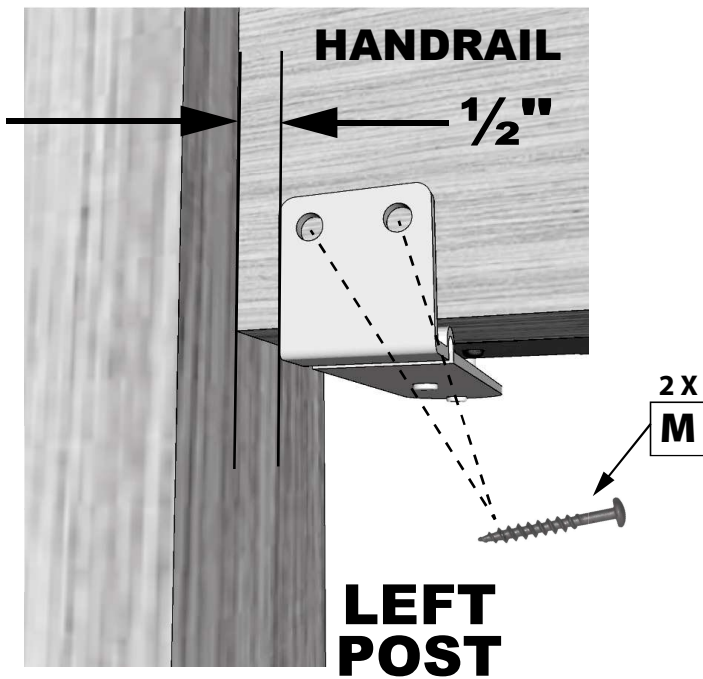
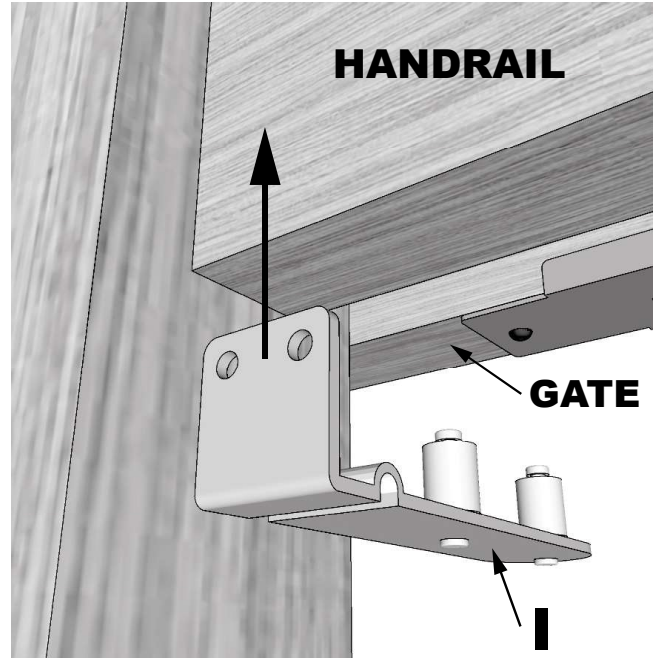
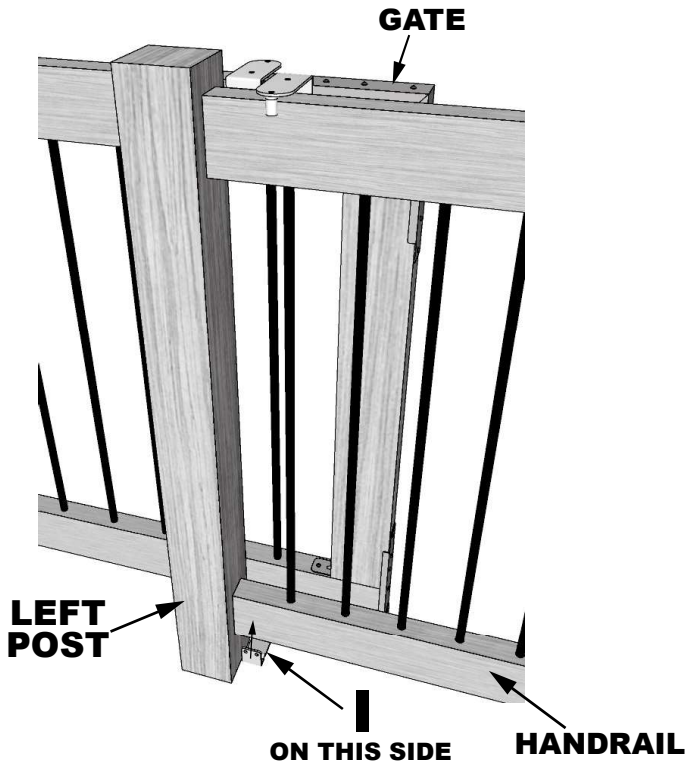
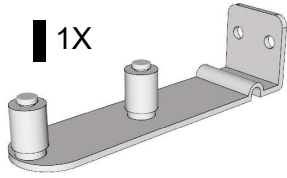
STEP 7 - GATE INSTALLATION (ON THE HANDRAIL)



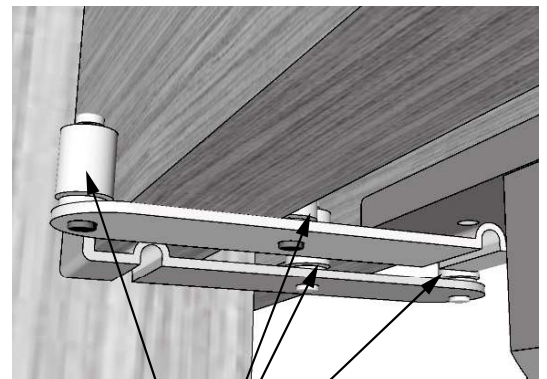
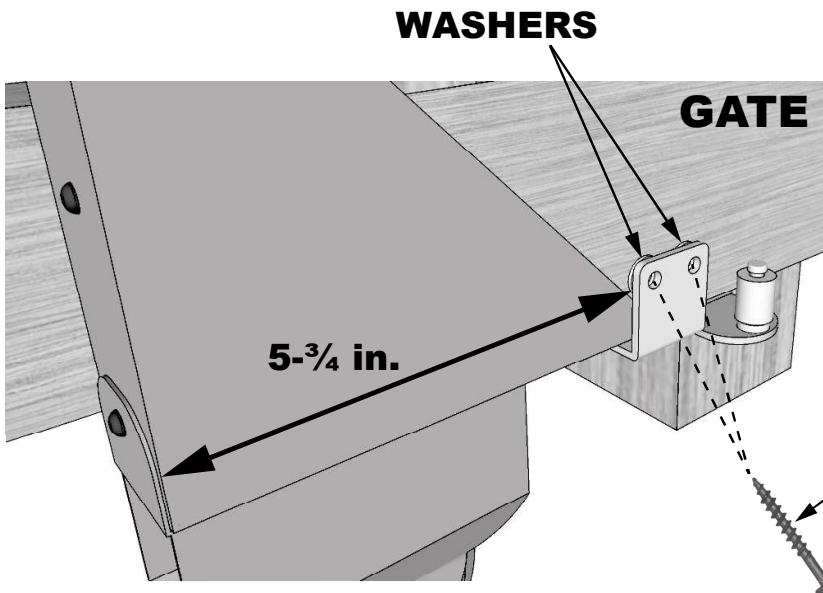
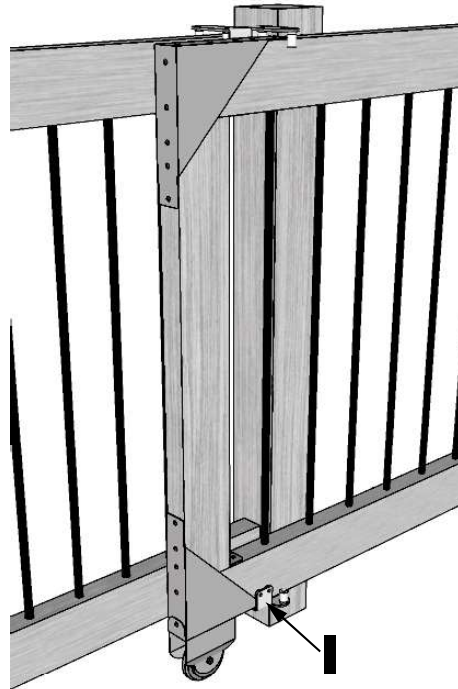
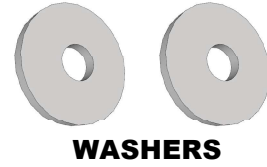
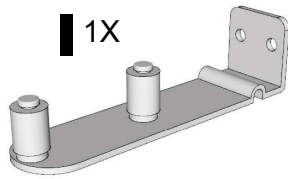
**HANG
GATE ON THE TOP**



STEP 8 - "I" PART ASSEMBLY (ON THE HANDRAIL)

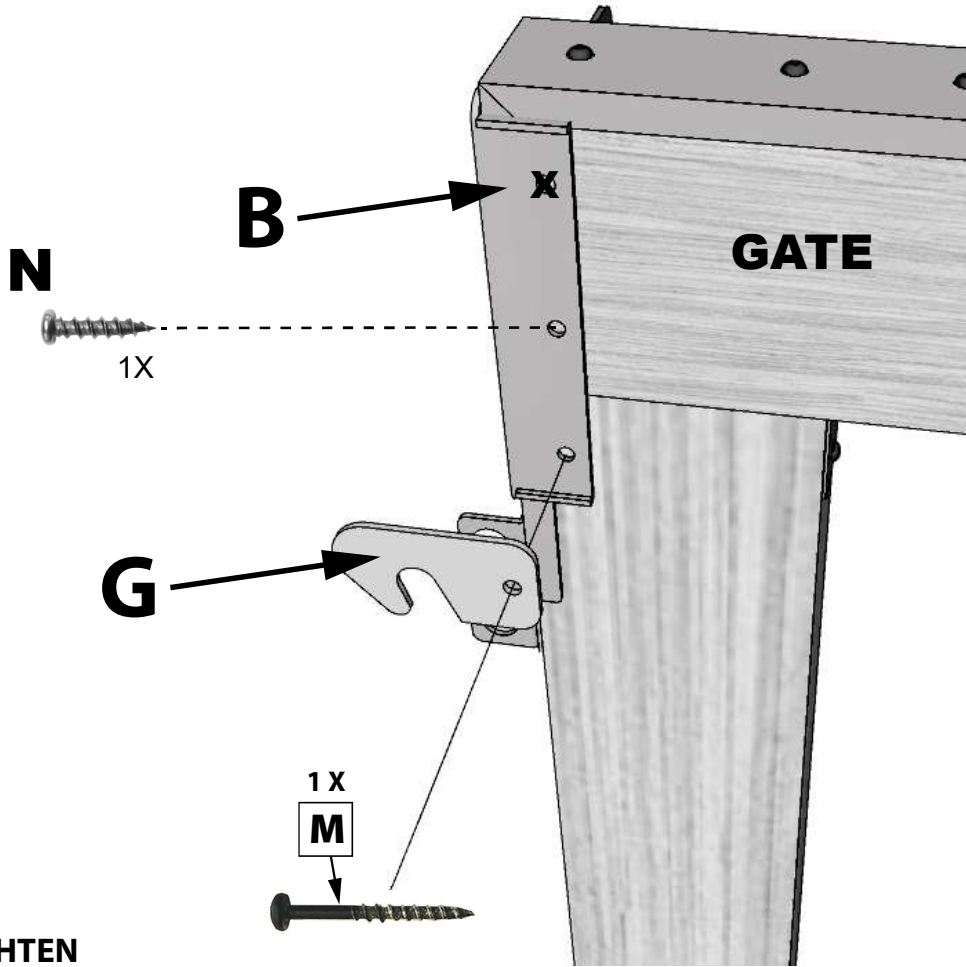
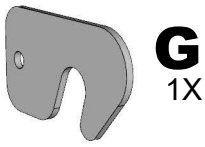


STEP 9 - "I" PART ASSEMBLY (ON THE GATE)

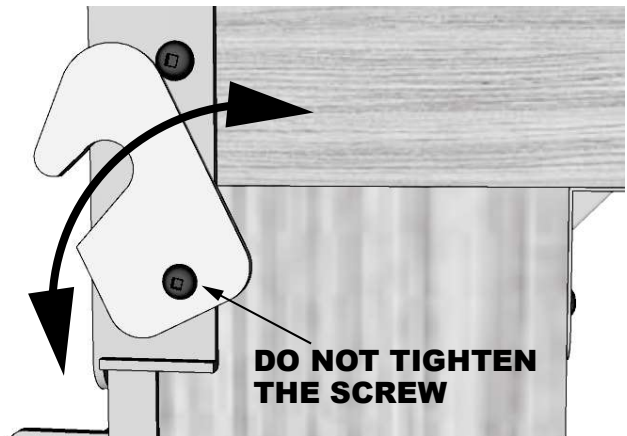
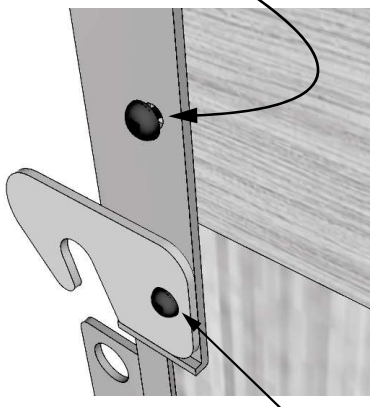


**The «Rings»
Do not have to
touch the gate.
Designed to keep
a little loose.**

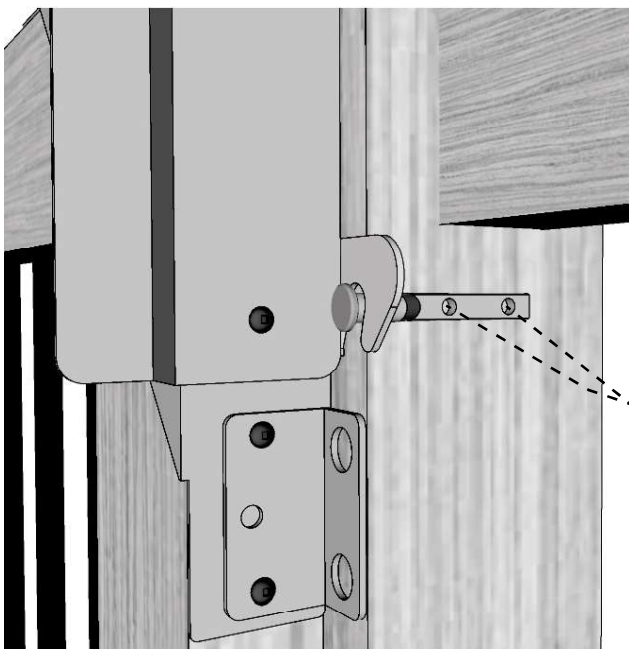
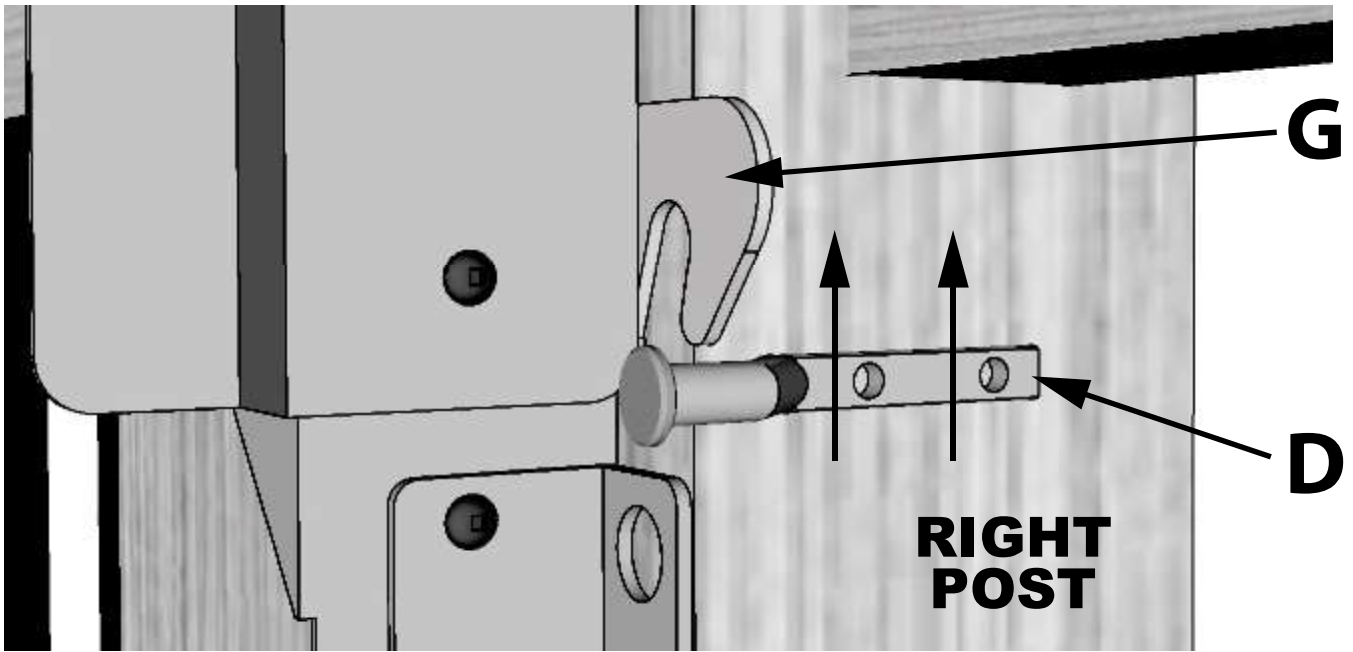
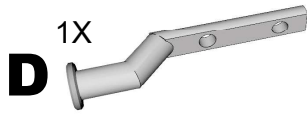
STEP 10 - "G" PART ASSEMBLY (ON THE GATE)



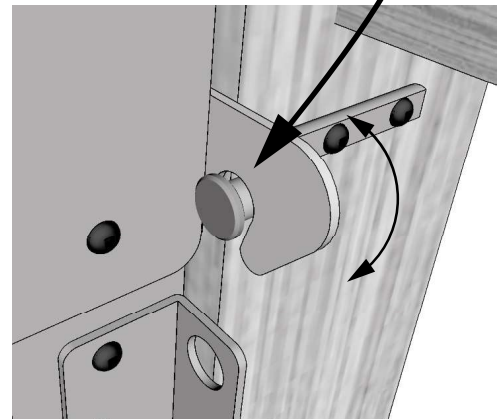
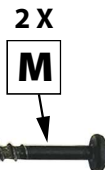
DO NOT TIGHTEN THE SCREW LEAVE 1/16"



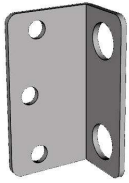
STEP 11 - "D" PART ASSEMBLY (ON THE RIGHT POST)



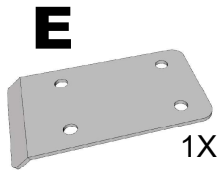
**"G" PART MUST BE
CLOSED AND
ALIGNED WITH "D" PART**



STEP 12 - "C" AND "E" PART ASSEMBLY (ON THE RIGHT POST)



C
1X



E

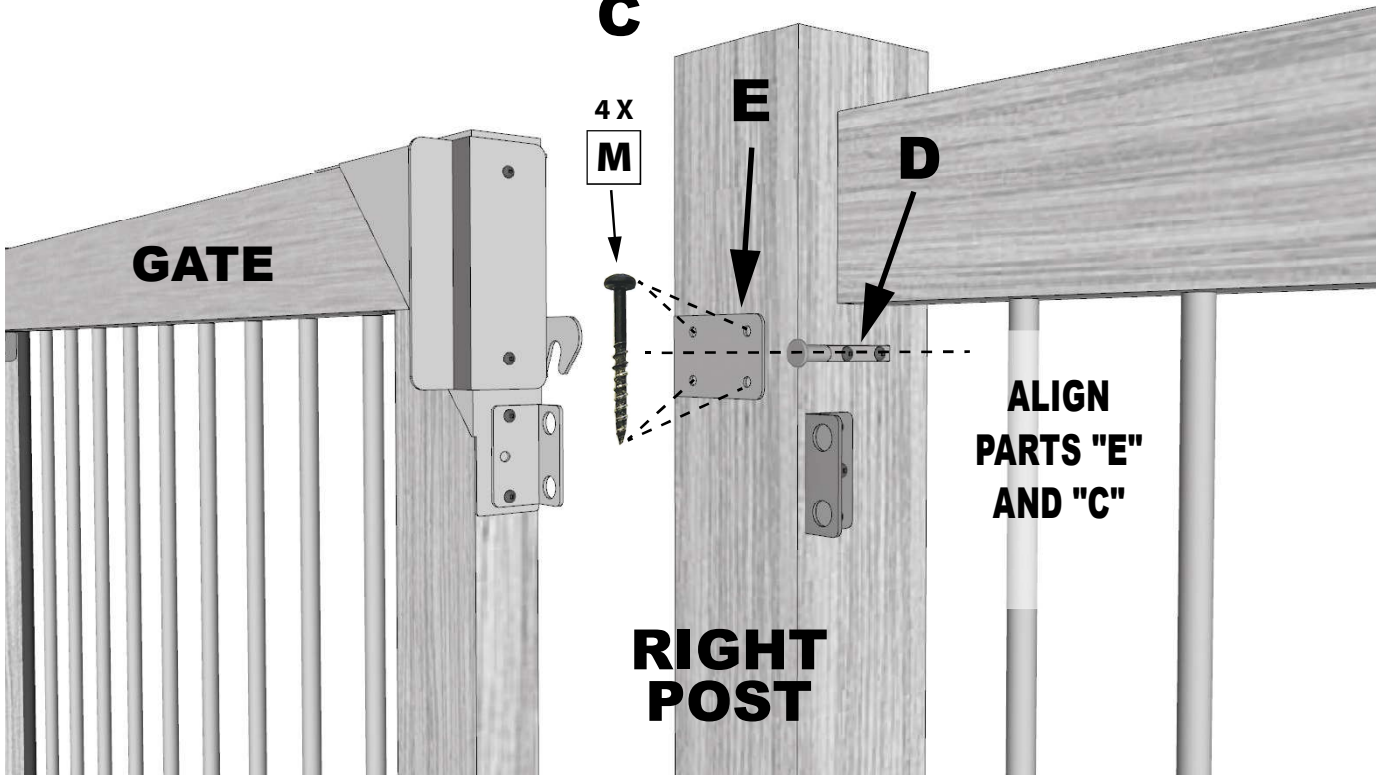
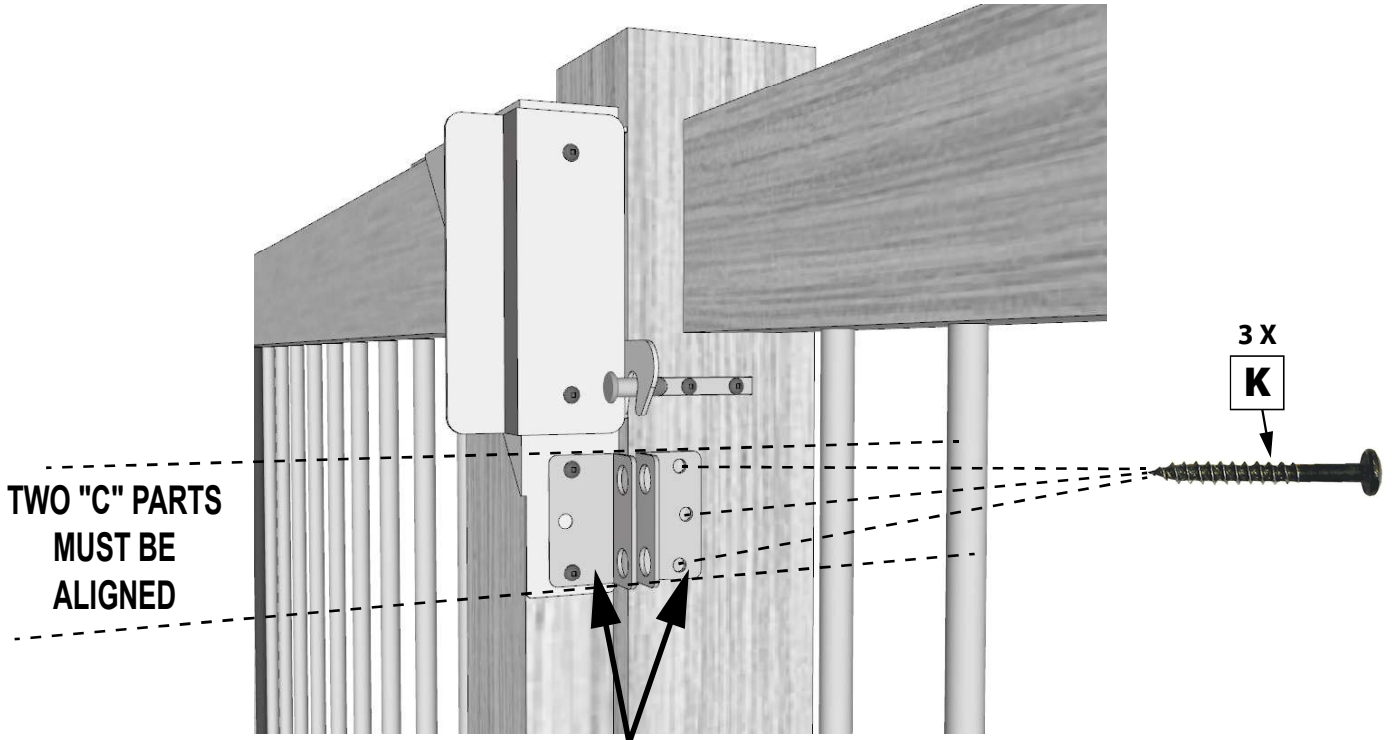
1X



3X

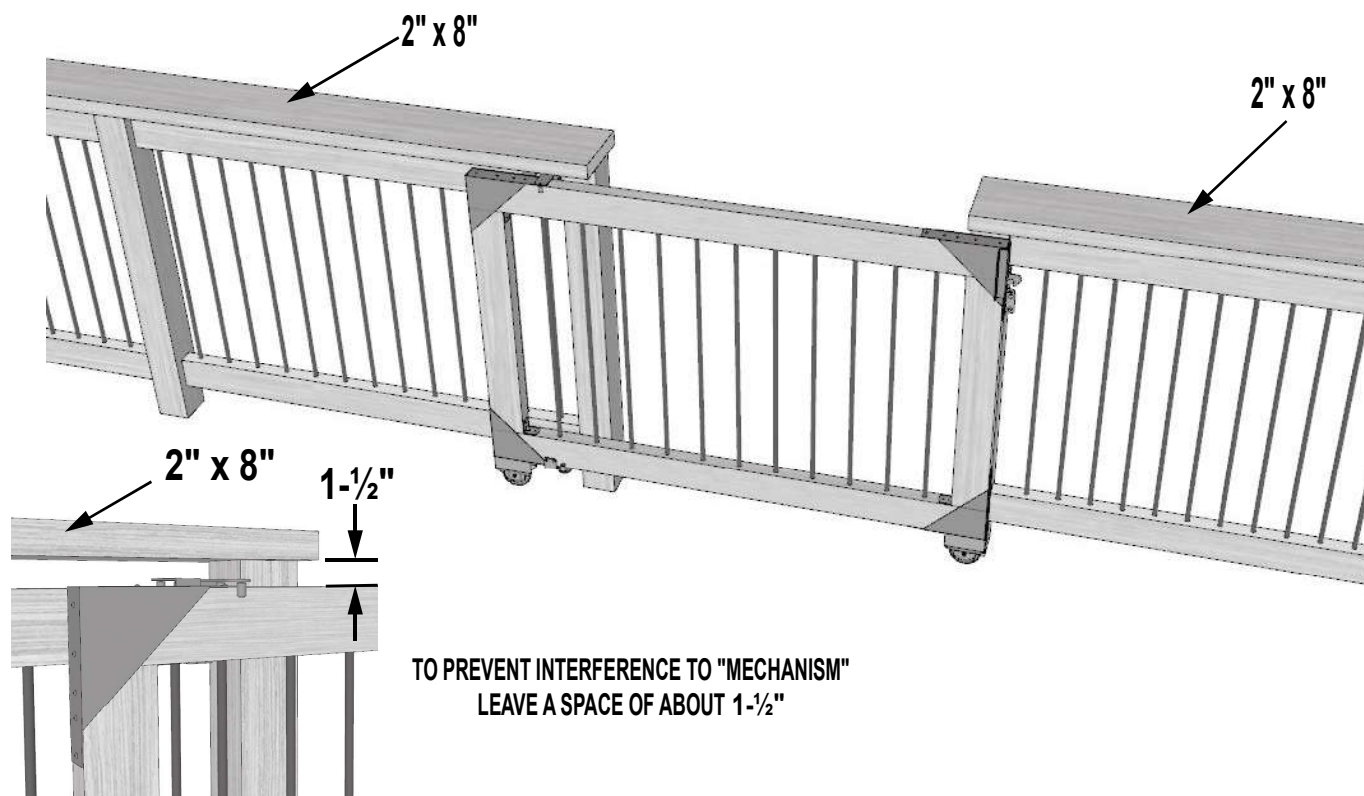


4X



Create a practical shelf on top with a 2" x 8" where to lean or place a glass or bottle, etc.

(Screws and wood not included)



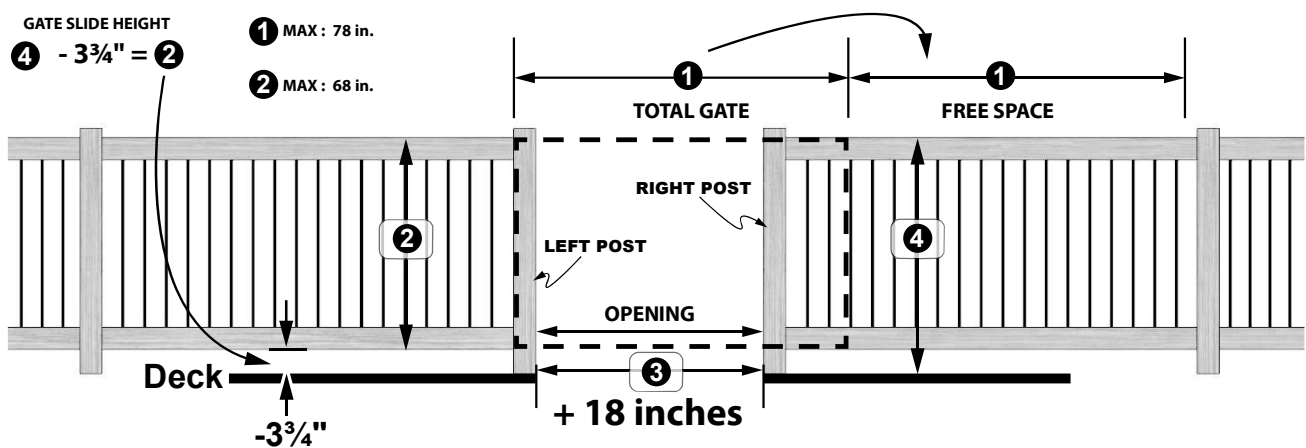
PARTS LIST

A 4X	B 1X	C 2X	D 1X	E 1X
F 4X	G 1X	H 2X	I 2X	J 2X
K #12 X 2 in 26X	L #12 X 1 in 15X	M #10 X 1 in 28X	N #10 X 3/4 in 1X	WASHERS 2X

TOOLS REQUIRED

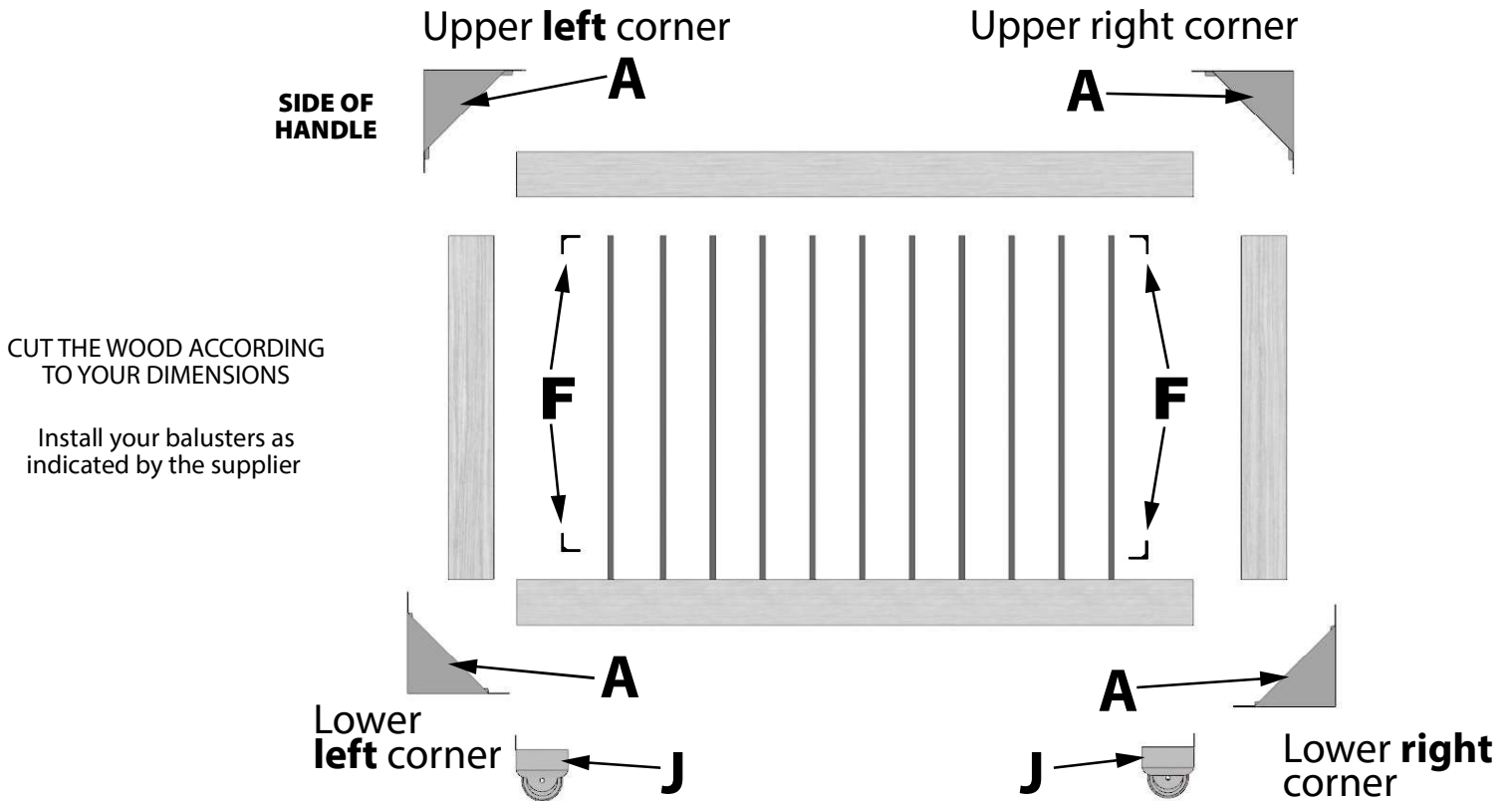


RIGHT OPENING

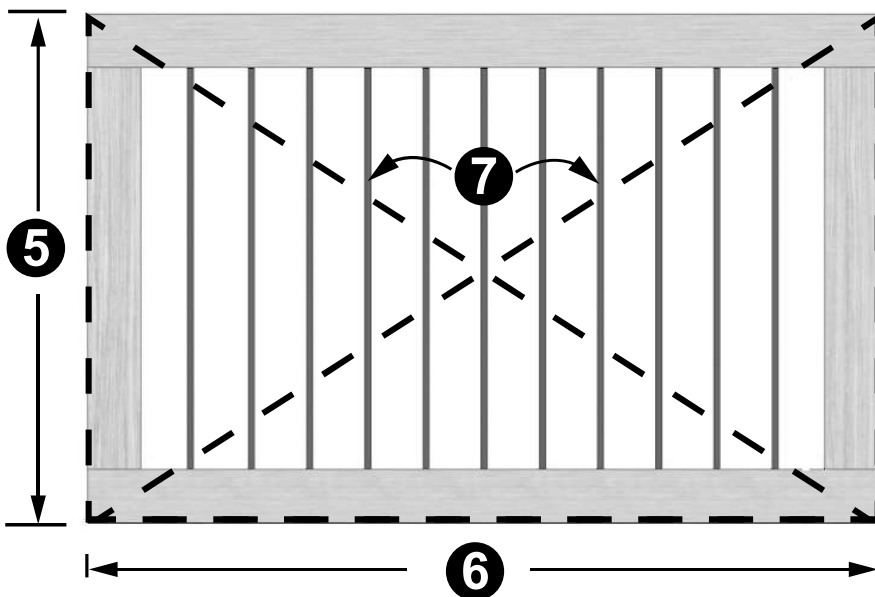


① = Total gate / ② = Height of sliding gate / ③ = Opening / ④ = Height of railing

IT IS RECOMMENDED TO PRE-DRILL ALL MARKS WITH A 1/16" DRILL BIT.



DIMENSIONS MIGHT DIFFER ACCORDING TO THE DIMENSIONS OF THE GATE

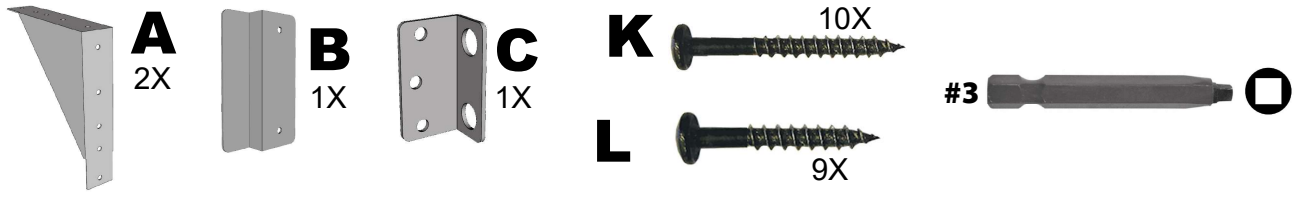


ENSURE THE THE CORNERS AND EDGES OF THE GATE ARE SQUARED OFF

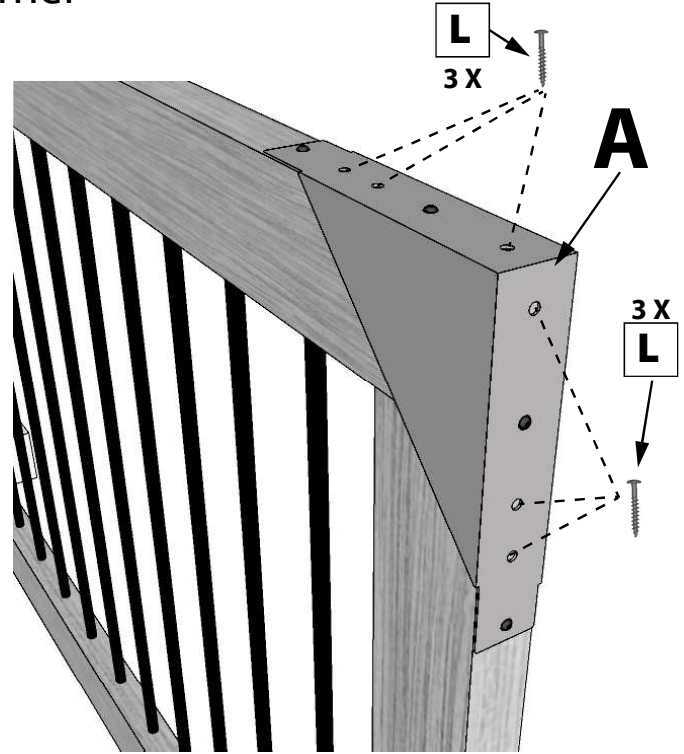
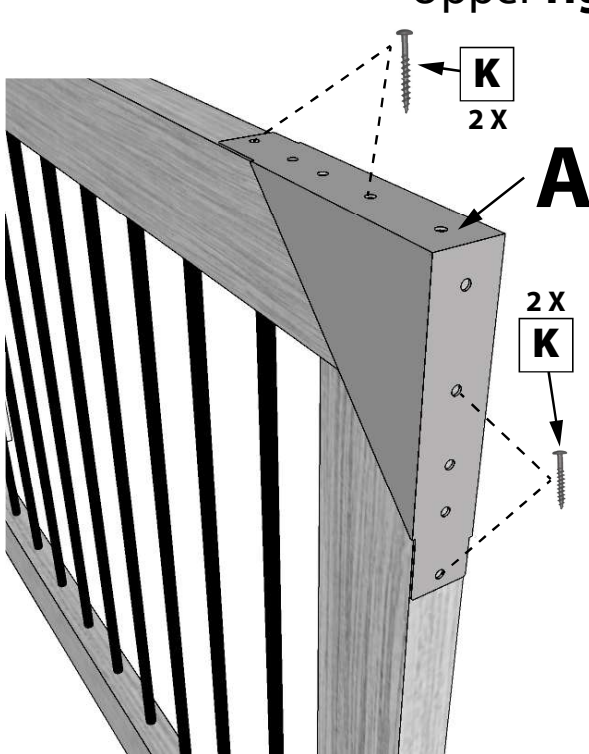
Use the Pythagorean theorem to calculate

$$\mathbf{5}^2 + \mathbf{6}^2 = \sqrt{\mathbf{7}}$$

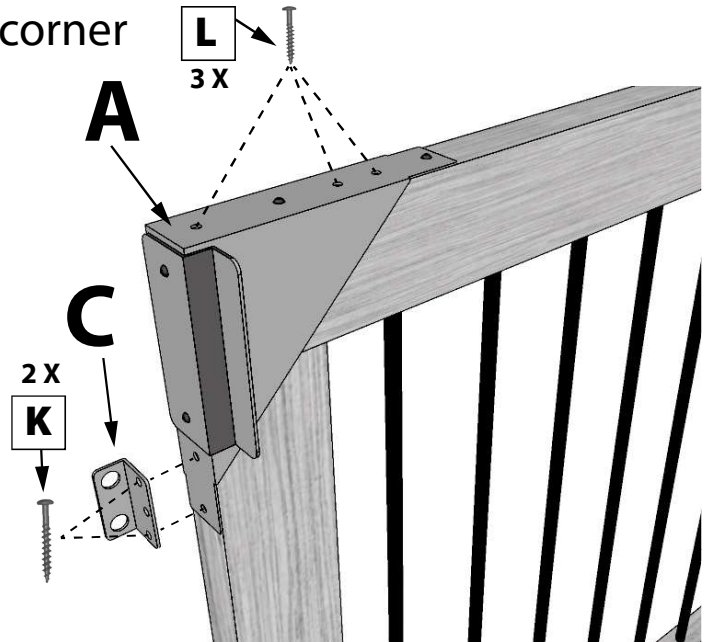
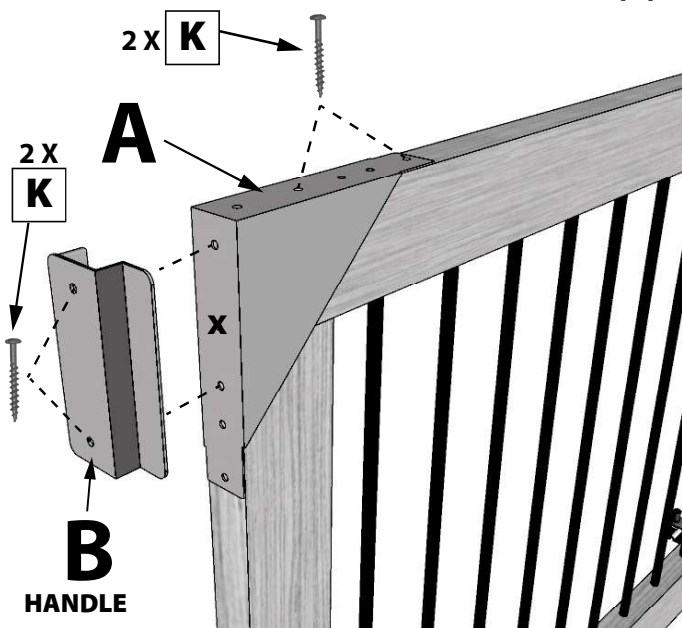
STEP 1 - GATE ASSEMBLY (PARTS A - B - C)



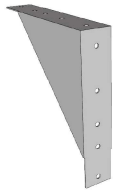
Upper right corner



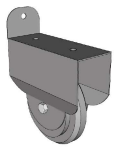
Upper left corner



STEP 2 - GATE ASSEMBLY (PARTS A - J)



A
1X



J
1X

K



6X

L

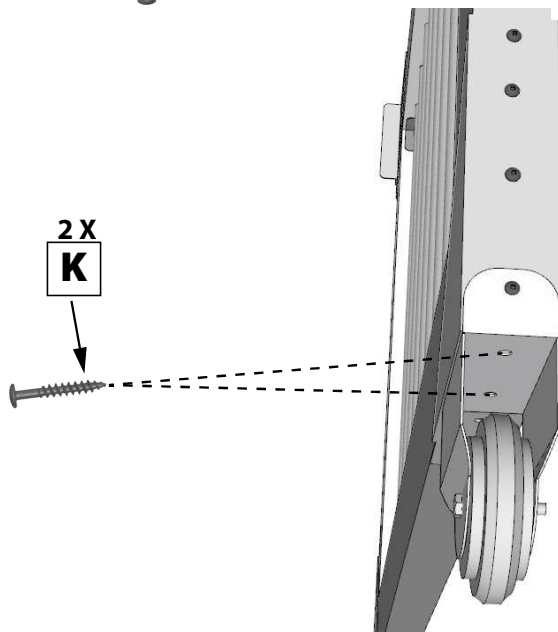
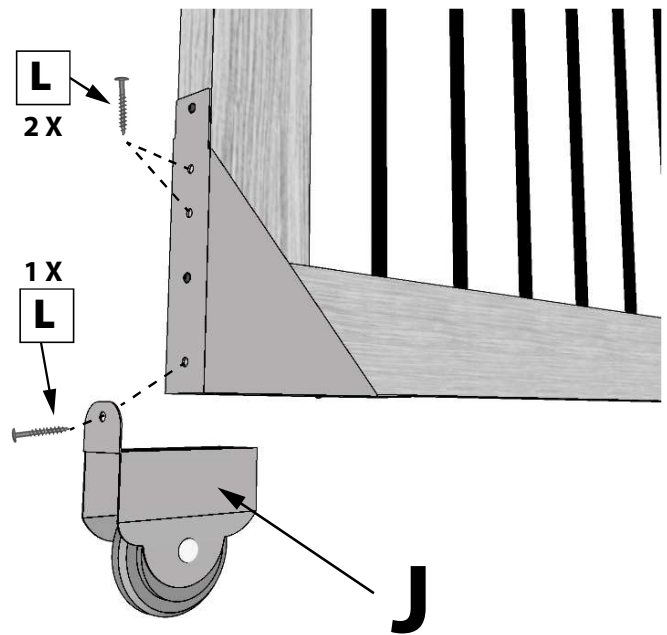
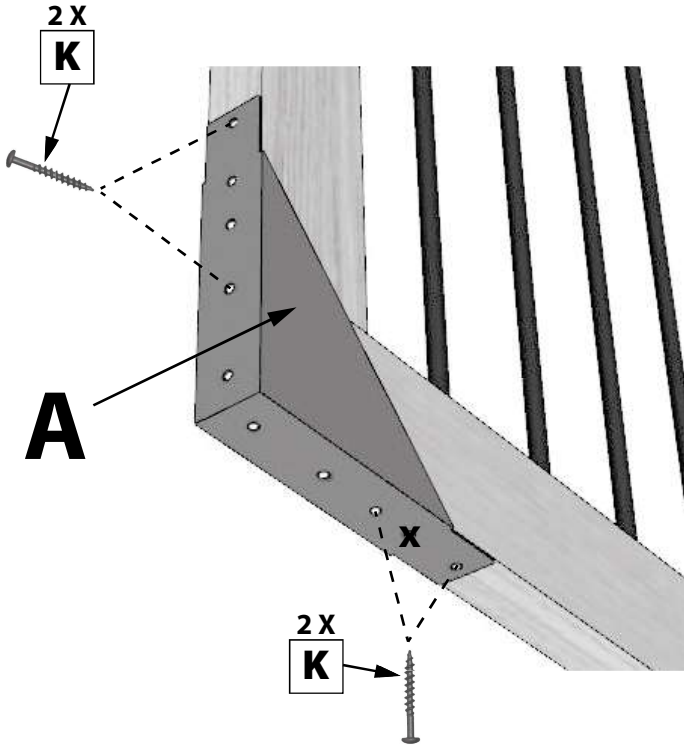


3X

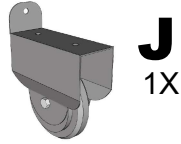
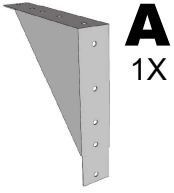
#3



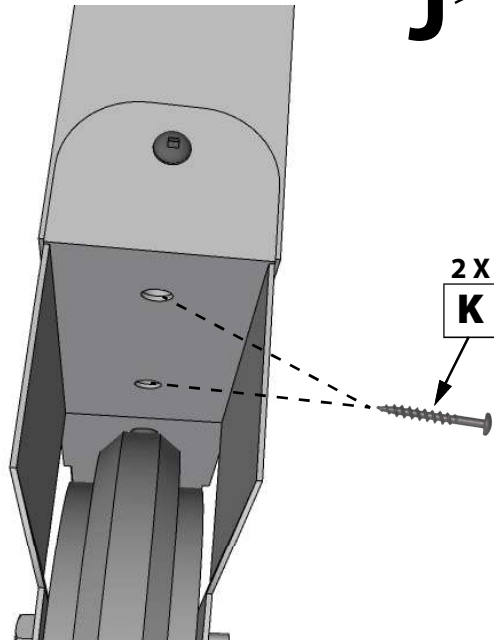
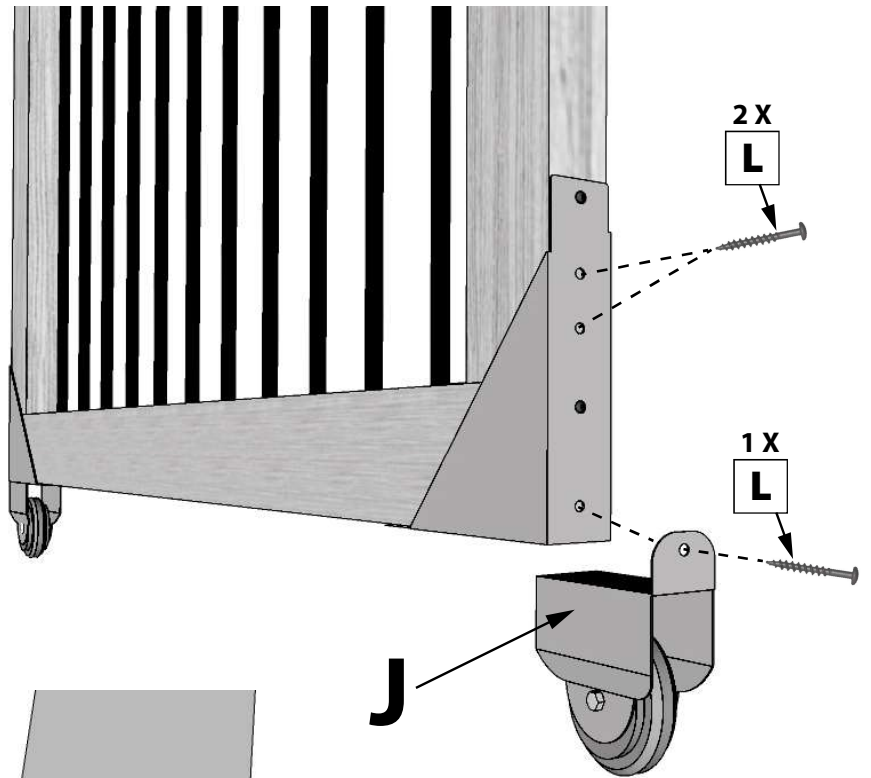
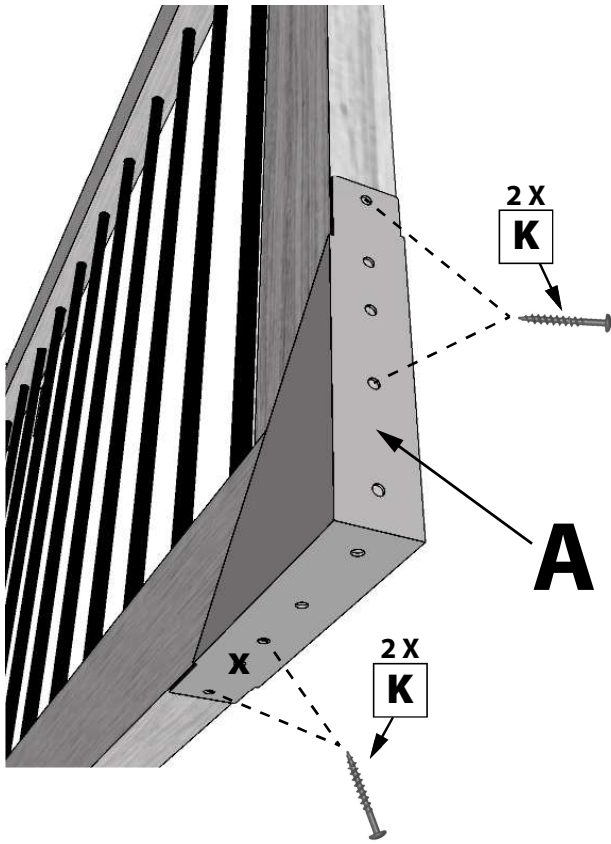
Lower **left** corner



STEP 3 - GATE ASSEMBLY (PARTS A - J)



Lower right corner



STEP 4 - "F" PART ASSEMBLY (ON THE GATE)



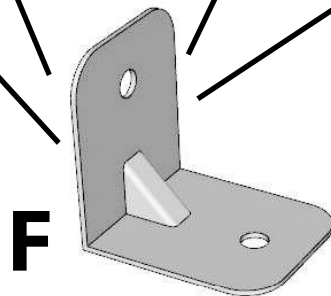
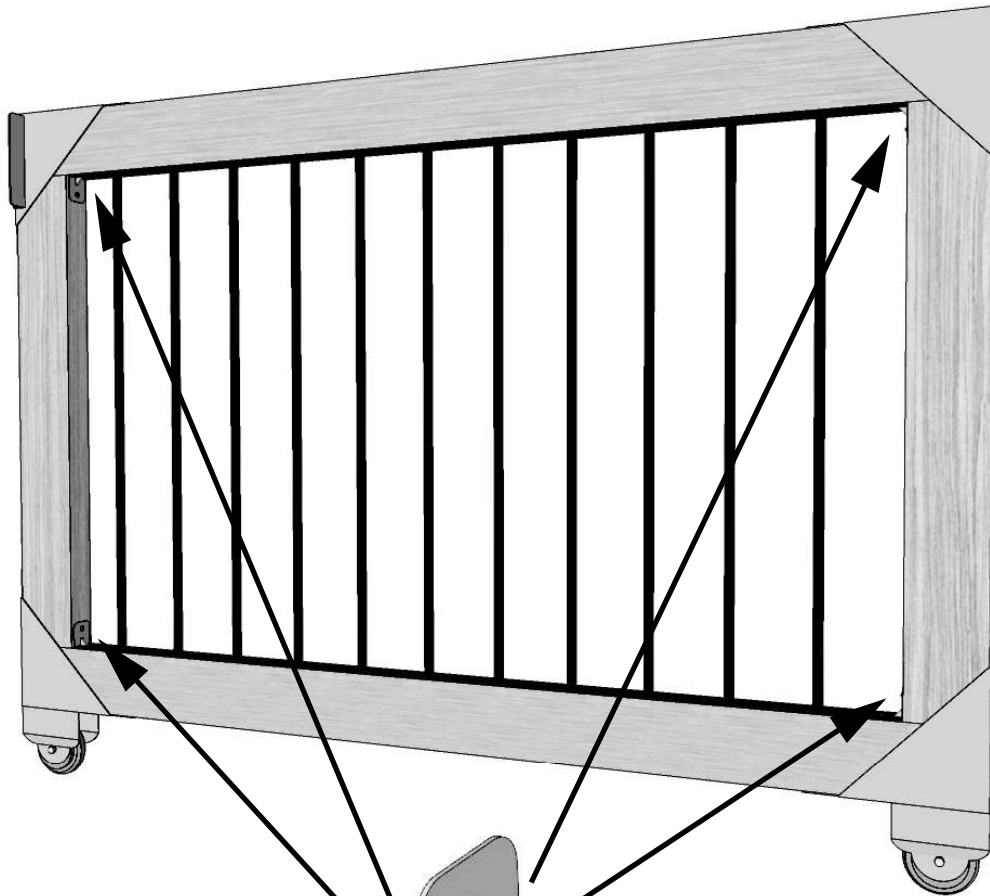
F
4X

M

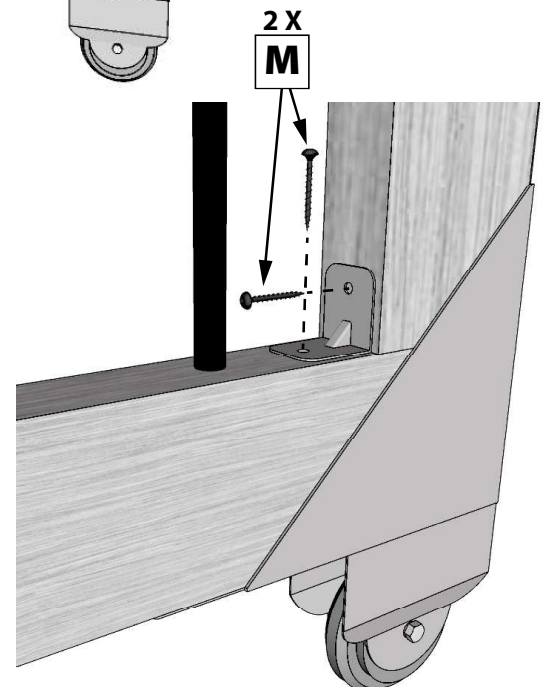


8X

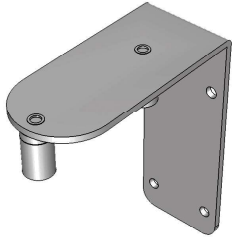
#2



F



STEP 5 - "H" PART ASSEMBLY (ON THE GATE)



H
1X

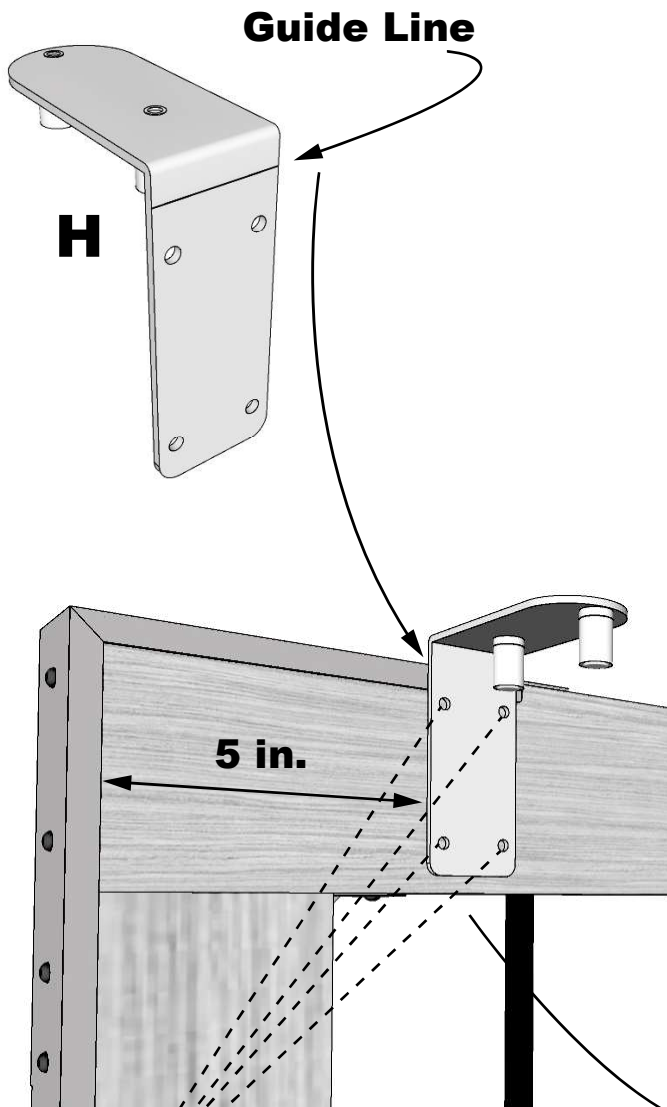


M

4X

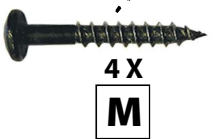
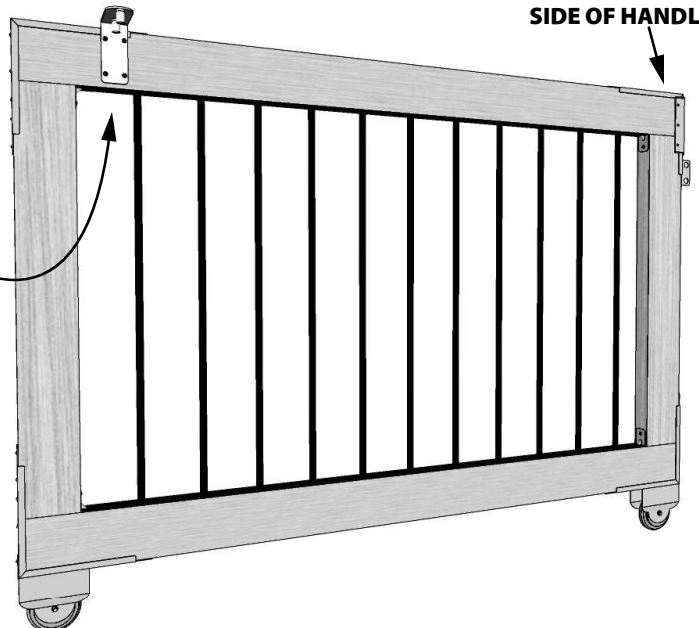


#2



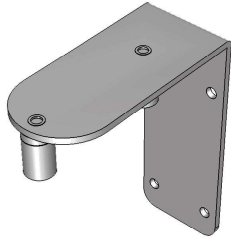
Right

**Left
SIDE OF HANDLE**



4 X
M

STEP 6 - "H" PART ASSEMBLY (ON THE HANDRAIL)



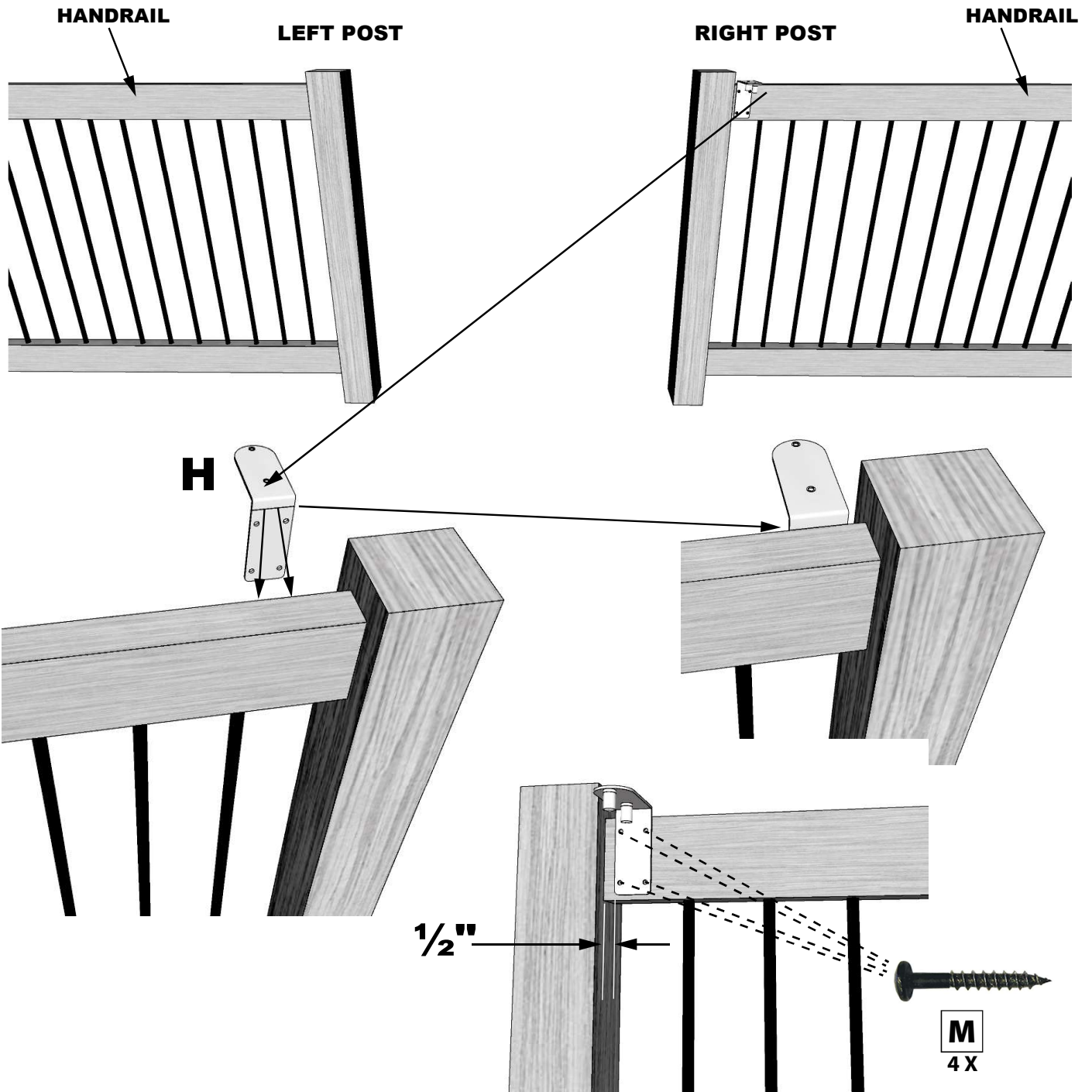
H
1X



M
4X



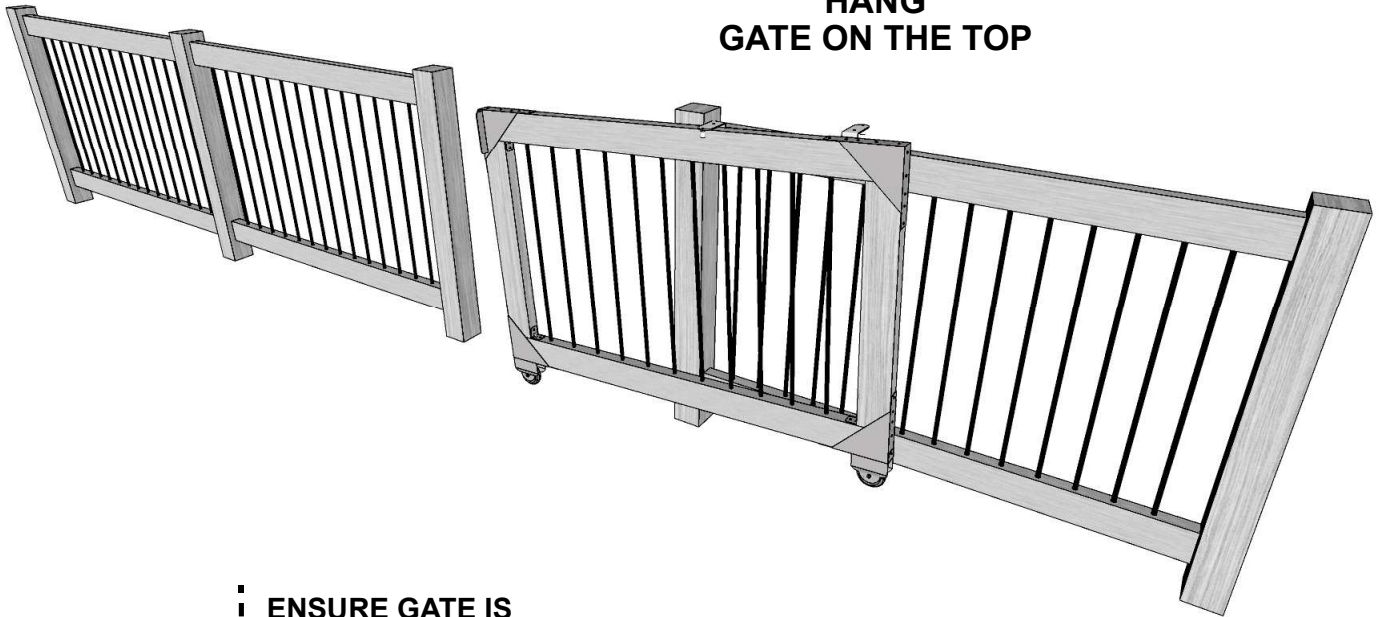
#2



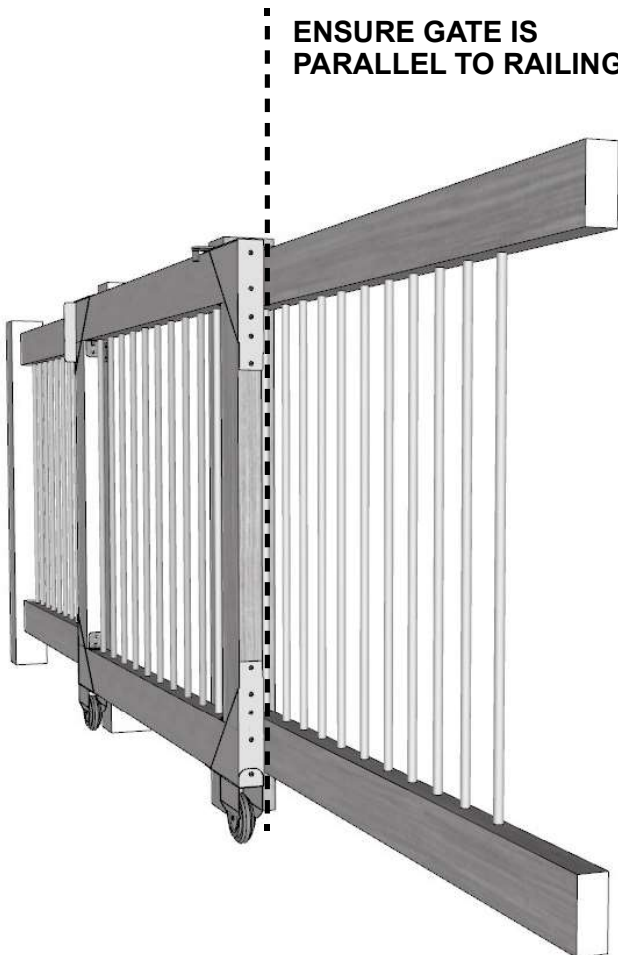
STEP 7 - GATE INSTALLATION (ON THE HANDRAIL)



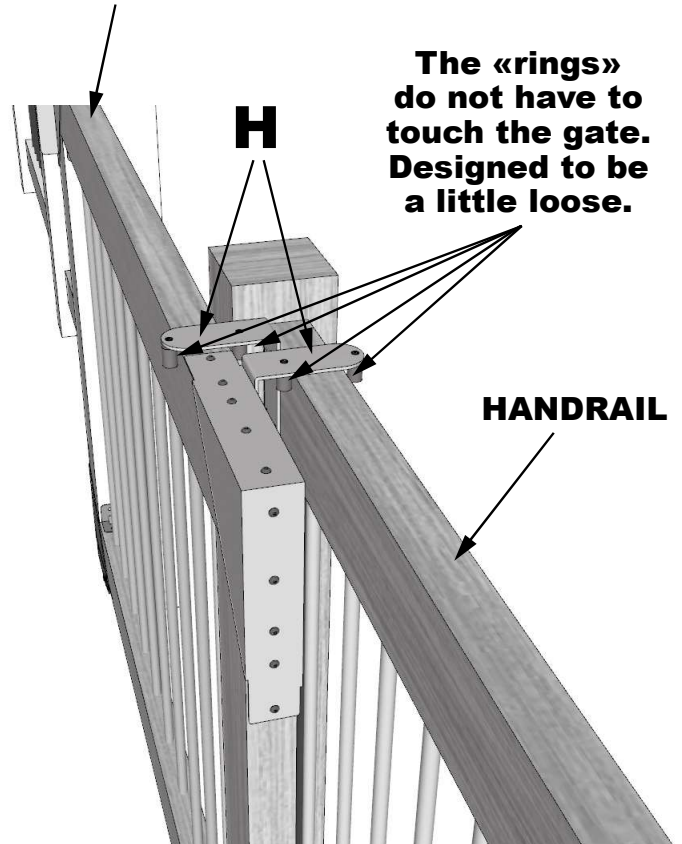
**HANG
GATE ON THE TOP**



**ENSURE GATE IS
PARALLEL TO RAILING**



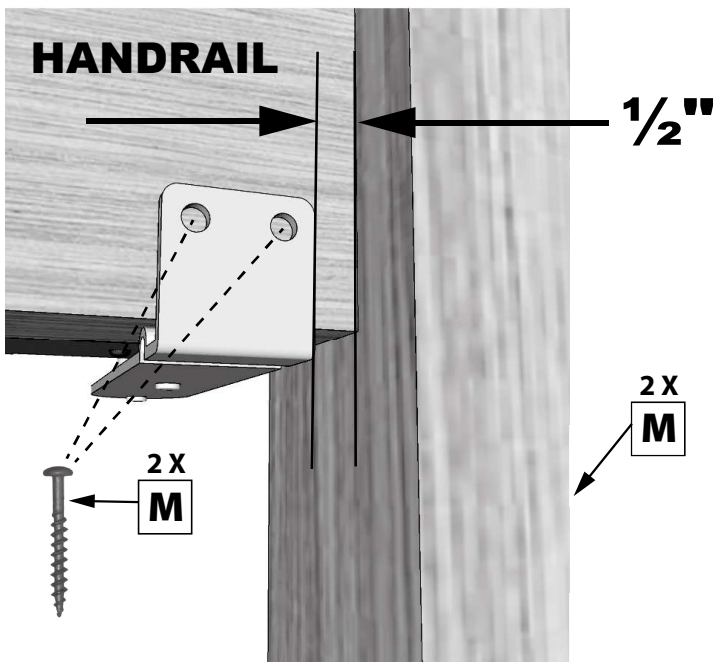
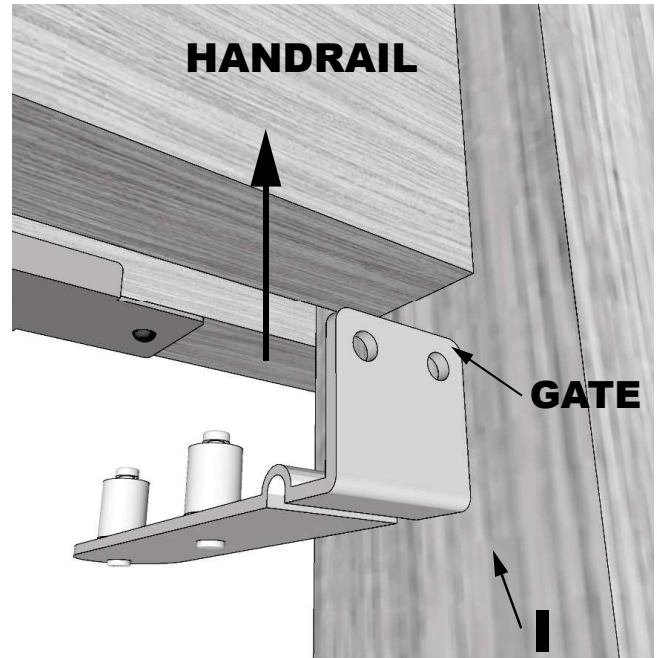
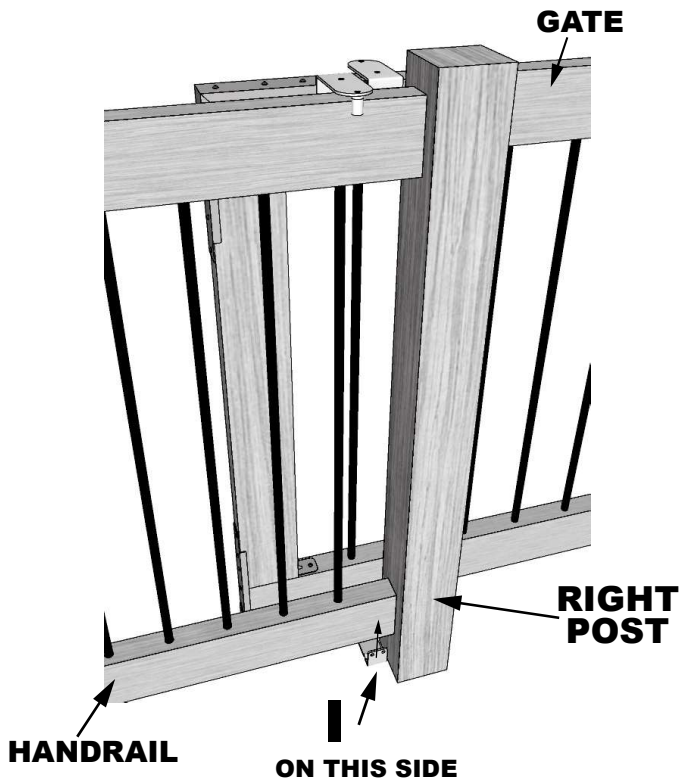
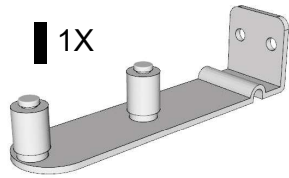
GATE



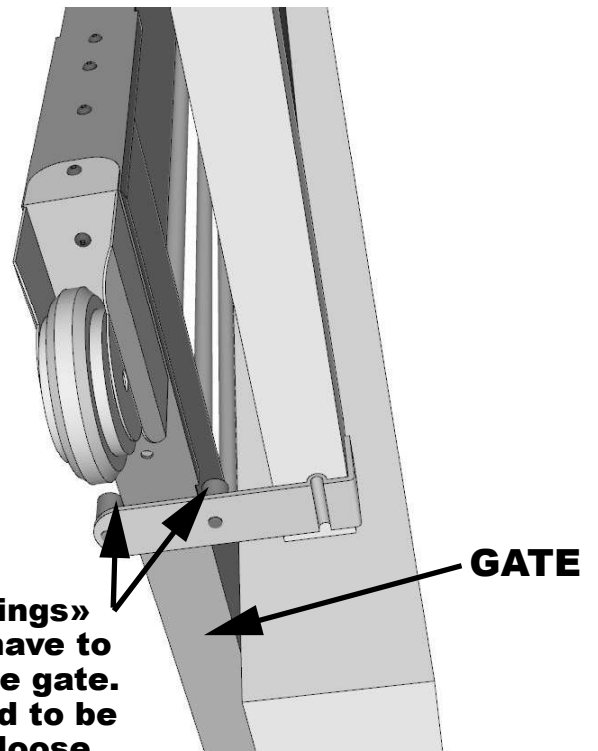
**The «rings»
do not have to
touch the gate.
Designed to be
a little loose.**

HANDRAIL

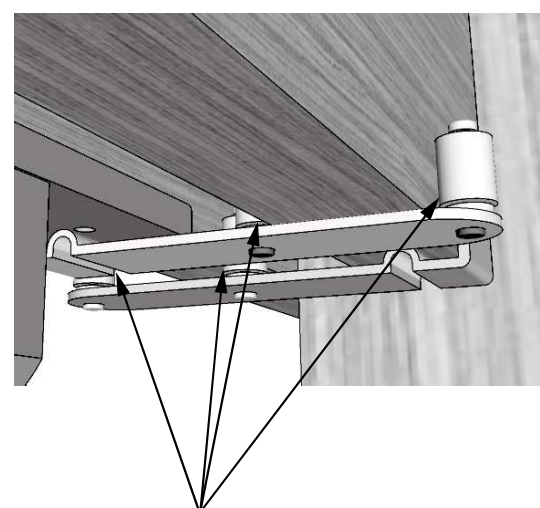
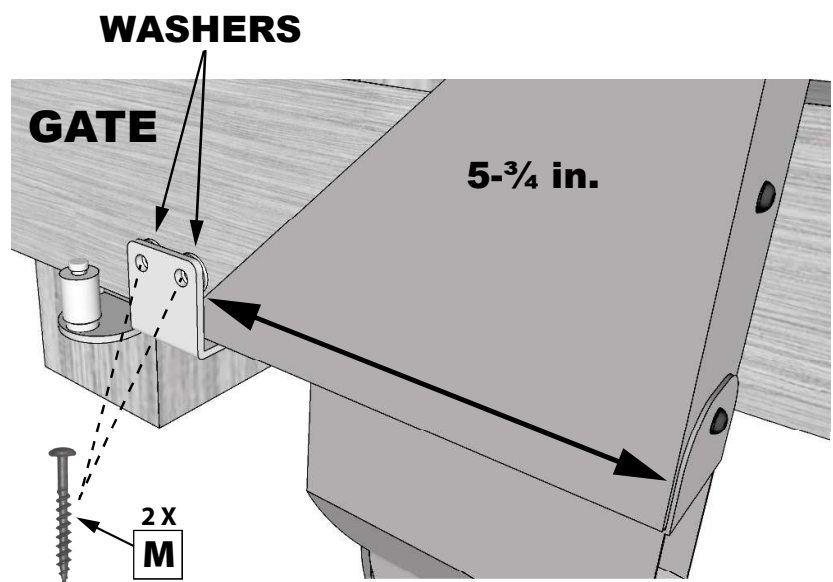
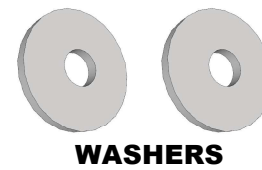
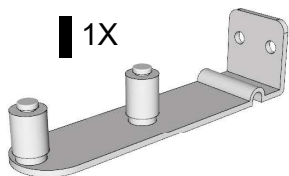
STEP 8 - "I" PART ASSEMBLY (ON THE HANDRAIL)



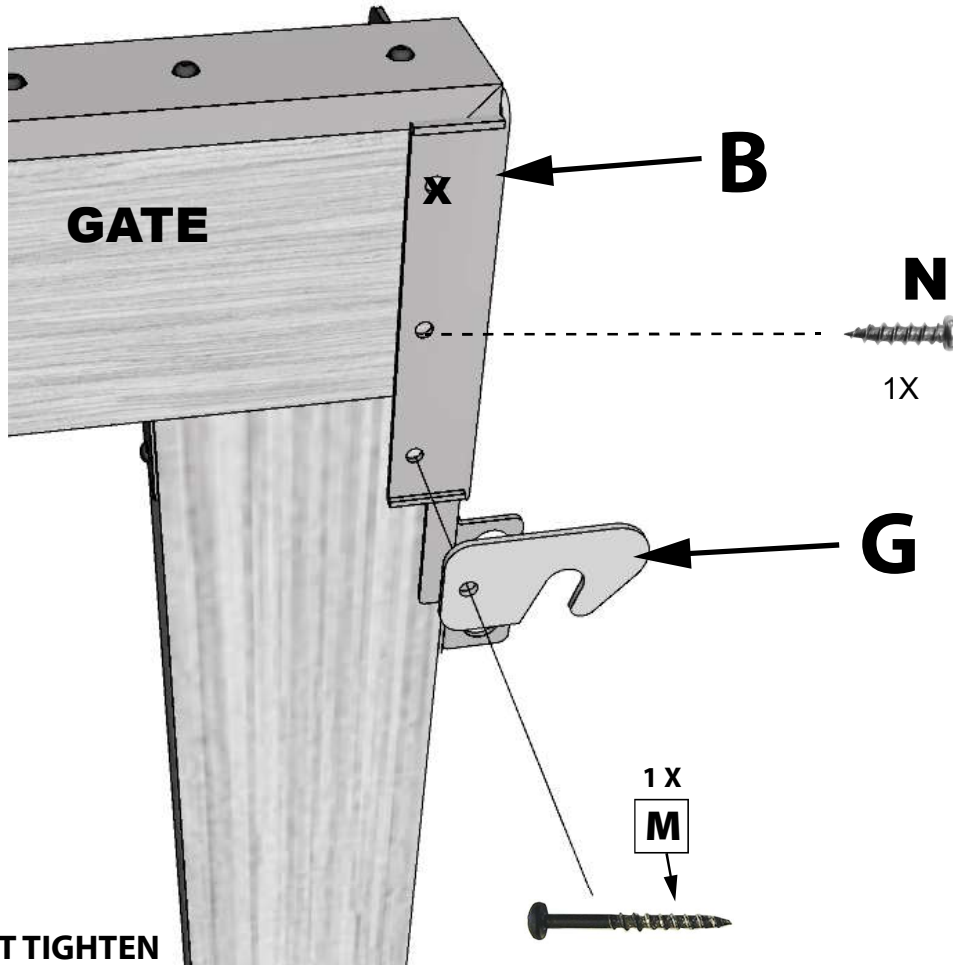
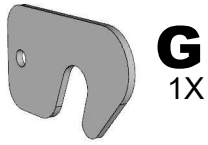
RIGHT POST



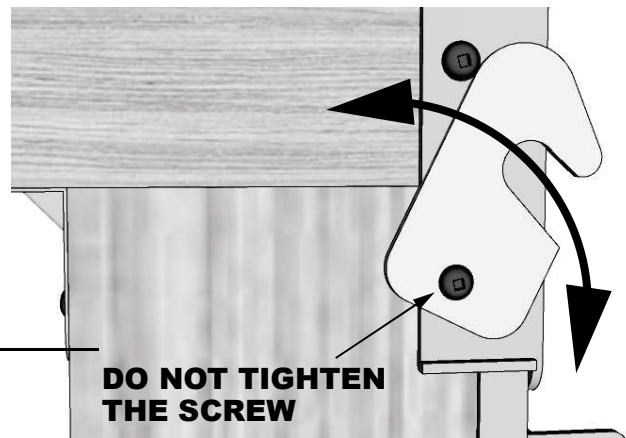
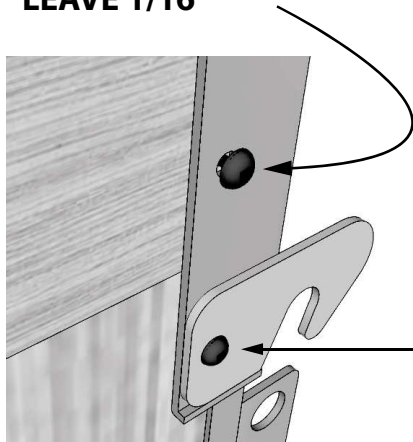
STEP 9 - "I" PART ASSEMBLY (ON THE GATE)



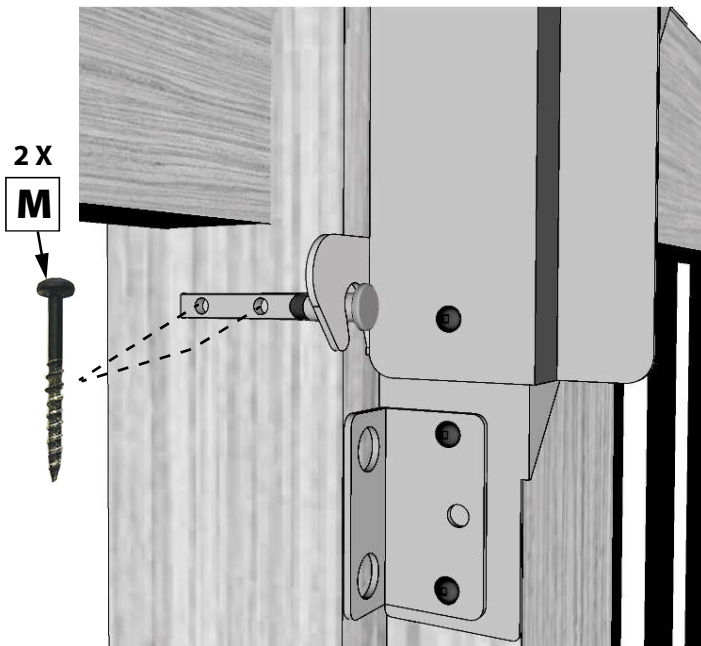
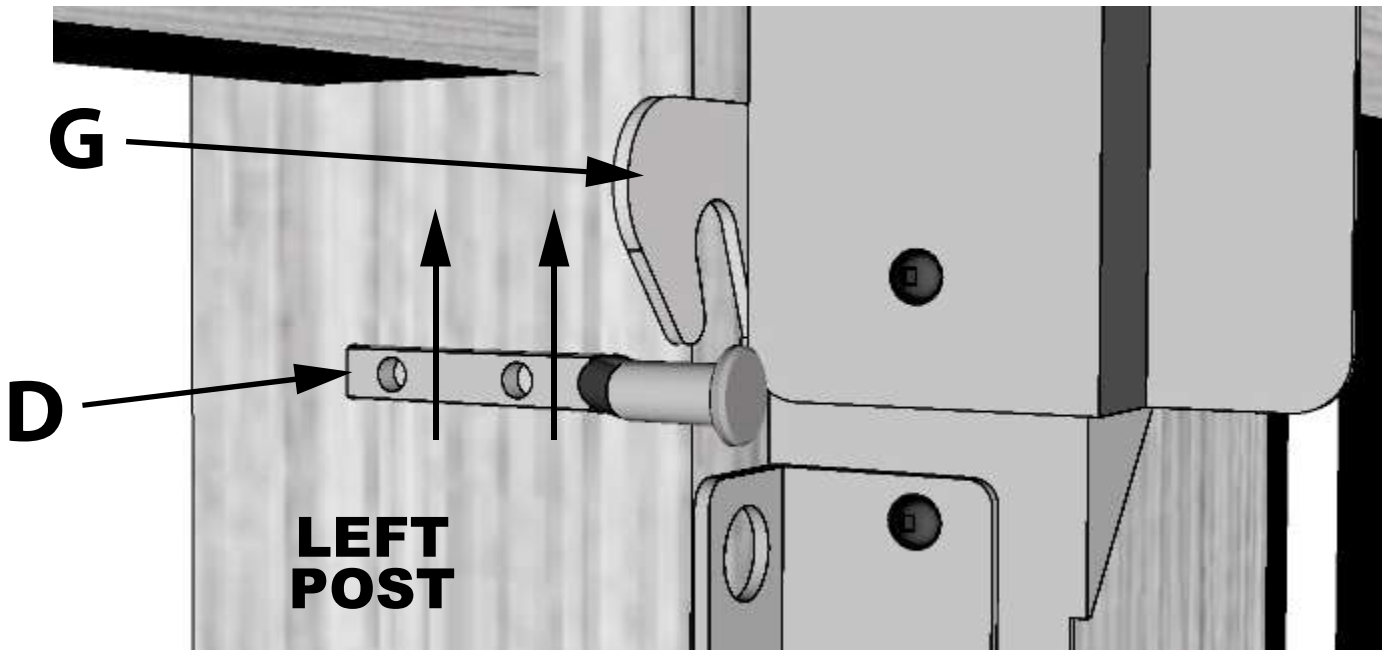
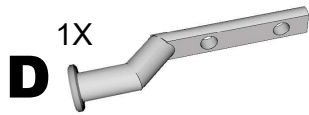
STEP 10 - "G" PART ASSEMBLY (ON THE GATE)



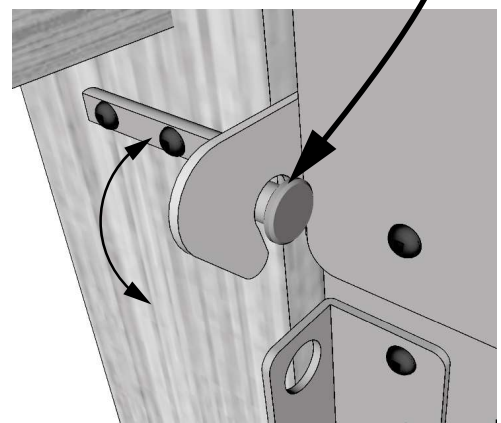
**DO NOT TIGHTEN
THE SCREW
LEAVE 1/16"**



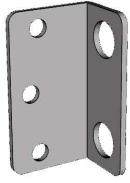
STEP 11 - "D" PART ASSEMBLY (ON THE RIGHT POST)



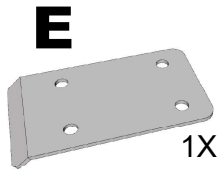
**"G" PART MUST BE
CLOSED AND
ALIGNED WITH "D" PART**



STEP 12 - "C" AND "E" PART ASSEMBLY (ON THE RIGHT POST)



C
1X



1X

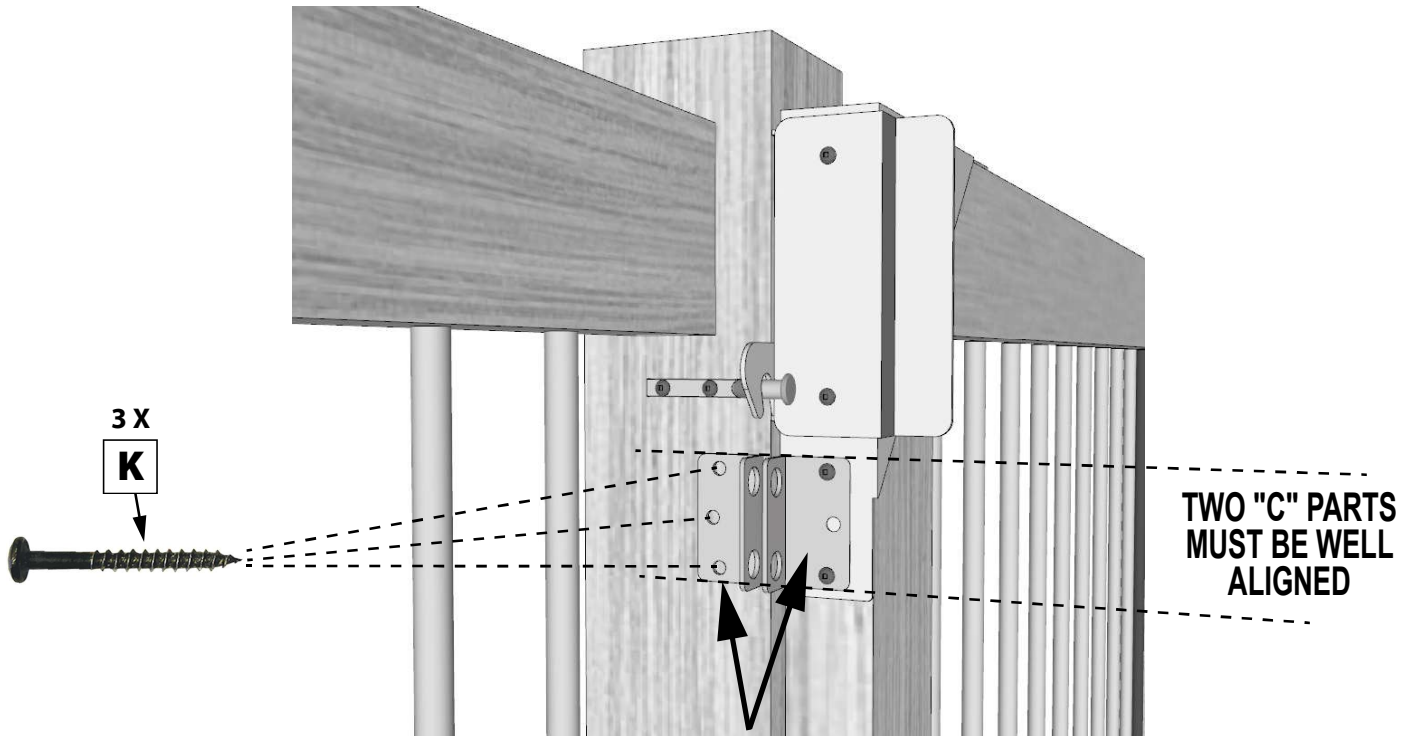


3X

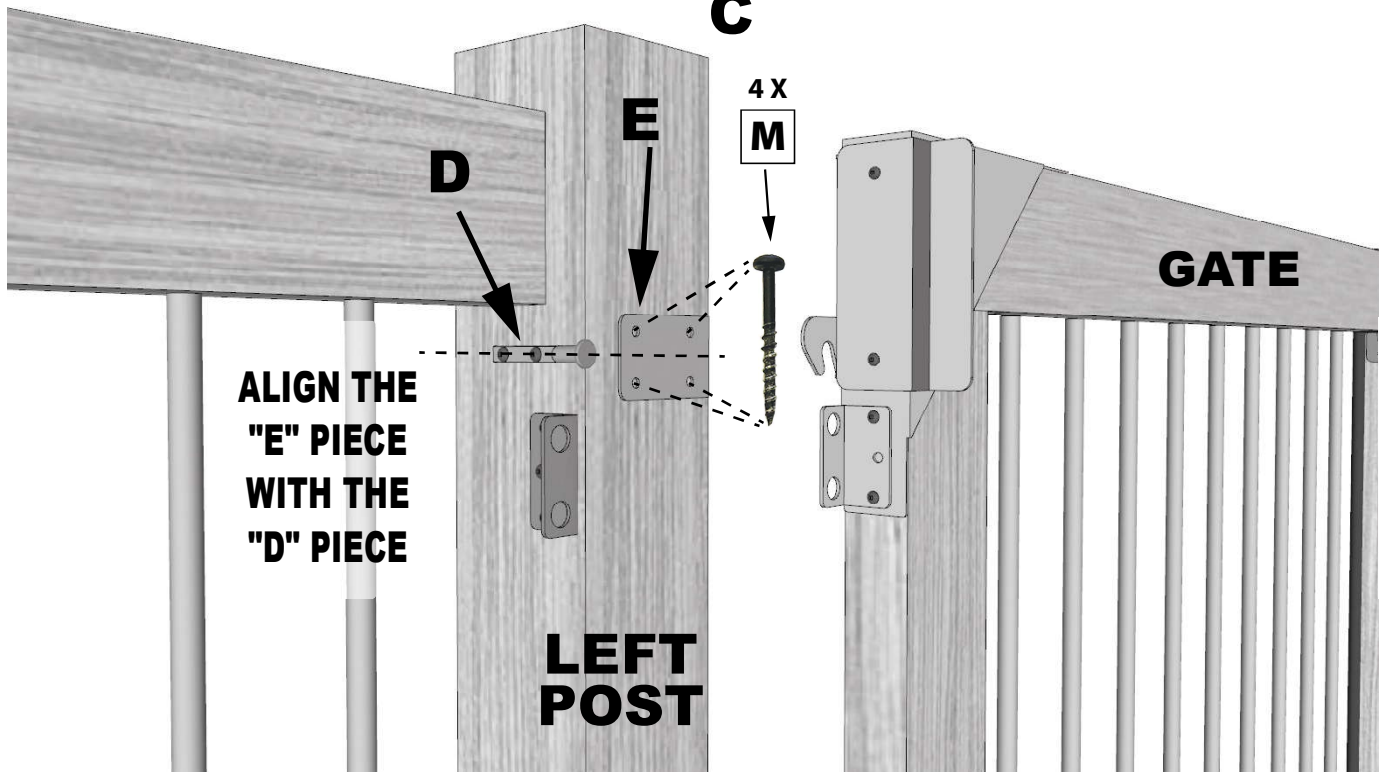


4X

#2



**TWO "C" PARTS
MUST BE WELL
ALIGNED**



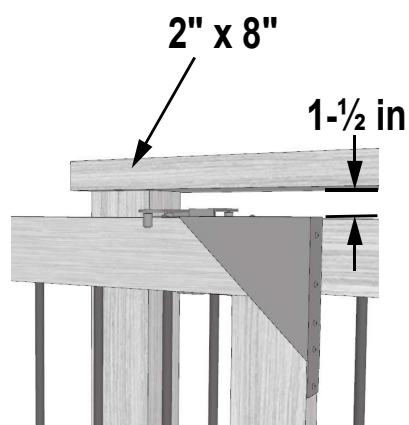
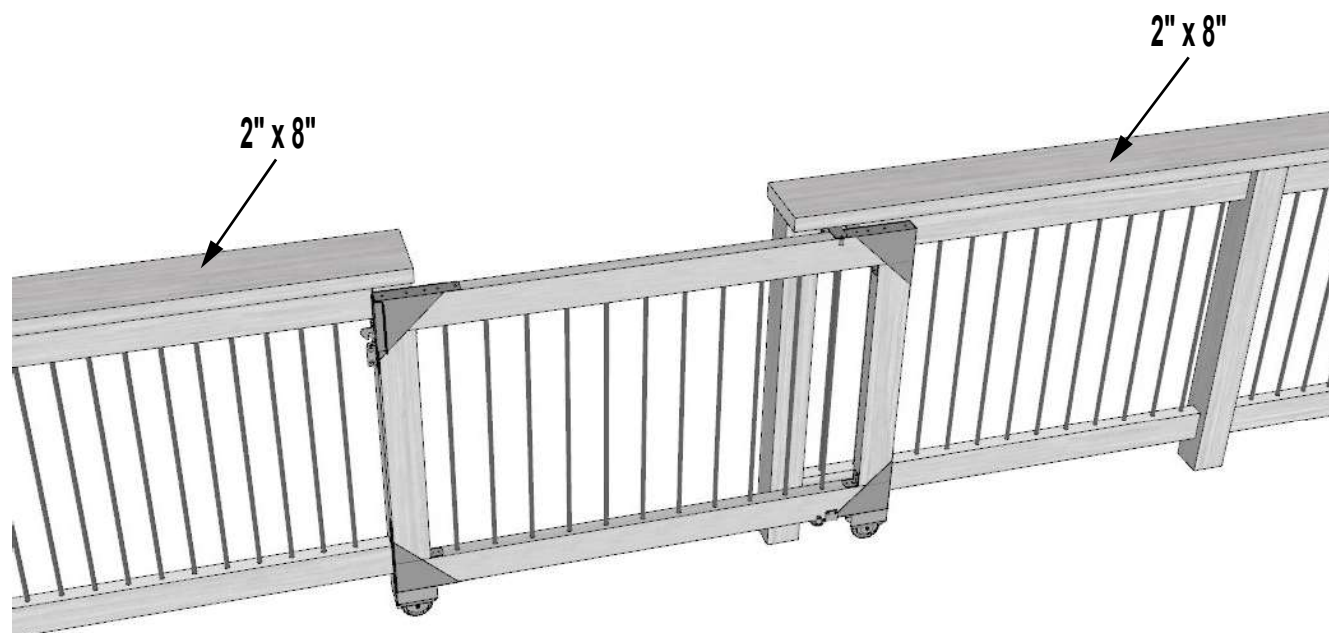
**ALIGN THE
"E" PIECE
WITH THE
"D" PIECE**

**LEFT
POST**

GATE

Create a practical shelf on top with a 2" x 8" where to lean or place a glass or bottle, etc.

(Screws and wood not included)



**TO PREVENT INTERFERENCE TO "MECHANISM"
LEAVE A SPACE OF ABOUT 1-1/2"**



RATE US!



Satisfied with your Pylex product?

Please let us know by sharing pictures with us at info@pylex.com
You can also write a review online
about your purchase.

(By sending your image, you agree to give Pylex the right to it in its marketing activities).

Thank you!

YOU LIKED OUR PRODUCT?

Visit our website: www.pylex.com to see all our products
or **scan this QR code** to have access to our catalog!



Pylex Guarantee Certificate



Follow us on:

