

PYLEX FOUNDATION SCREW

ADJUSTABLE



1- Insert the adjustable head (A) in the square tube, then with a sharp blow (**Step 1**) push the Pylex into the ground to the cutting edge of the disk. Screw it in soil by hand a few times to bury the disk. **2-** Insert a (2" X 4") (**Step 2**) in the "U" shaped bracket (C) and "screw" the Pylex in soil. (Circle around the Pylex using 2" X 4"). When the bottom of the "U" (B) will be approximately 12" from the soil, hit with a mass (3-4 good shots) in the "U" shaped bracket to check soil compaction; if the Pylex does not sink easily your soil has a good compaction. You can continue to "screw" until the bottom of the "U" shaped bracket (B) is 4" to 6" of soil, hit with a mass (3-4 times) inside the "U" **to ensure good soil compaction** below the disk. Keep a distance of 4" to 6" between the underside of the "U" shaped bracket (B) and the ground. (Sandy soil leave 4" and a clay soil leave 6"). **3-** Once the adjustable Pylex is in place, remove completely the adjustable head (A) and screw the adjustment nut (F) on the threaded rod and replace the adjustable head in place. Attach the 4" X 4" in the "U" shaped bracket (C) and screw the Pylex with wood screws on each side (not included). To level (about 3 inches adjustment) - screw or unscrew the nut (**Step 3**). Leave a **minimum** of 3 inches of threaded rod inside the tube (E).

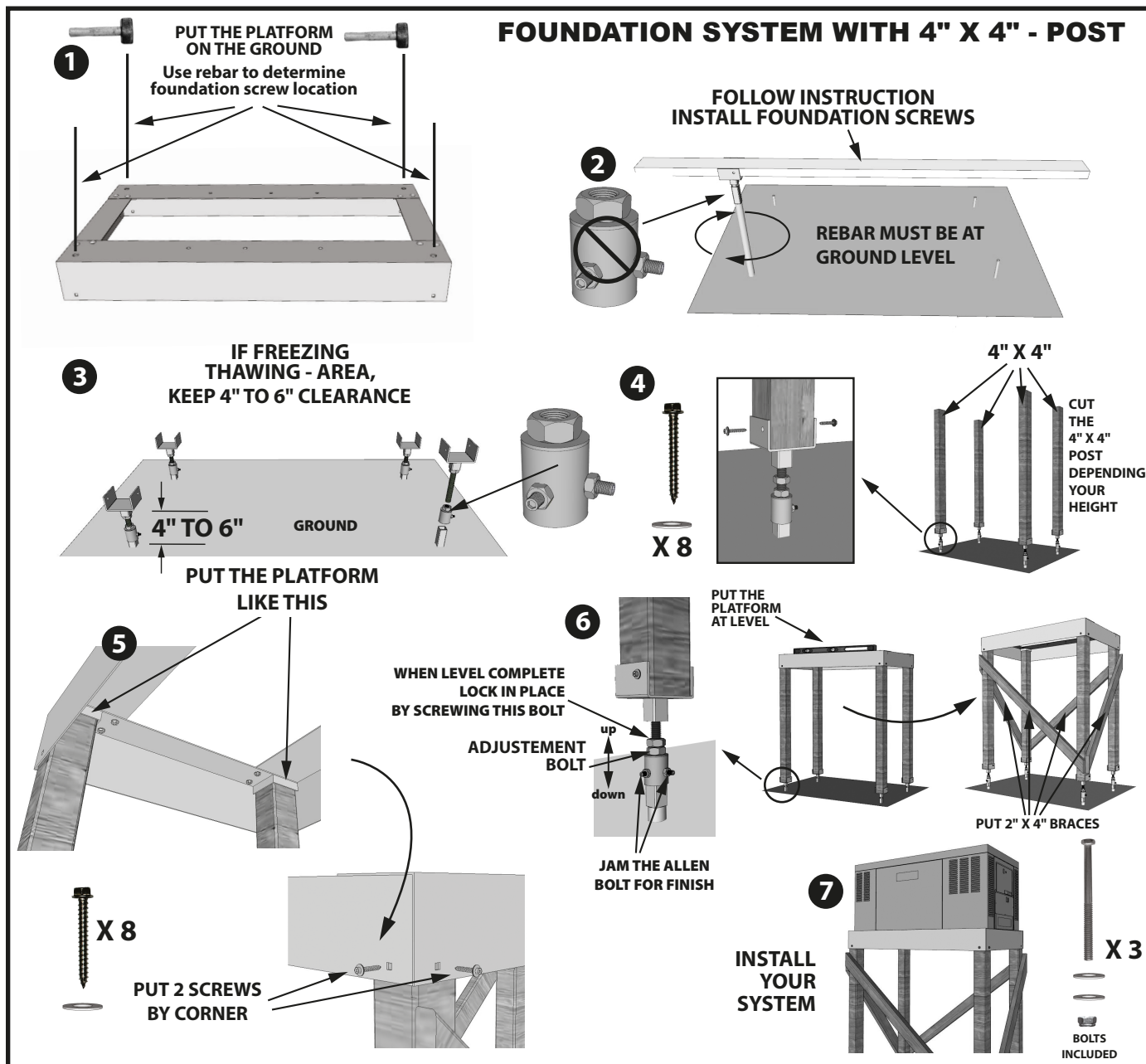
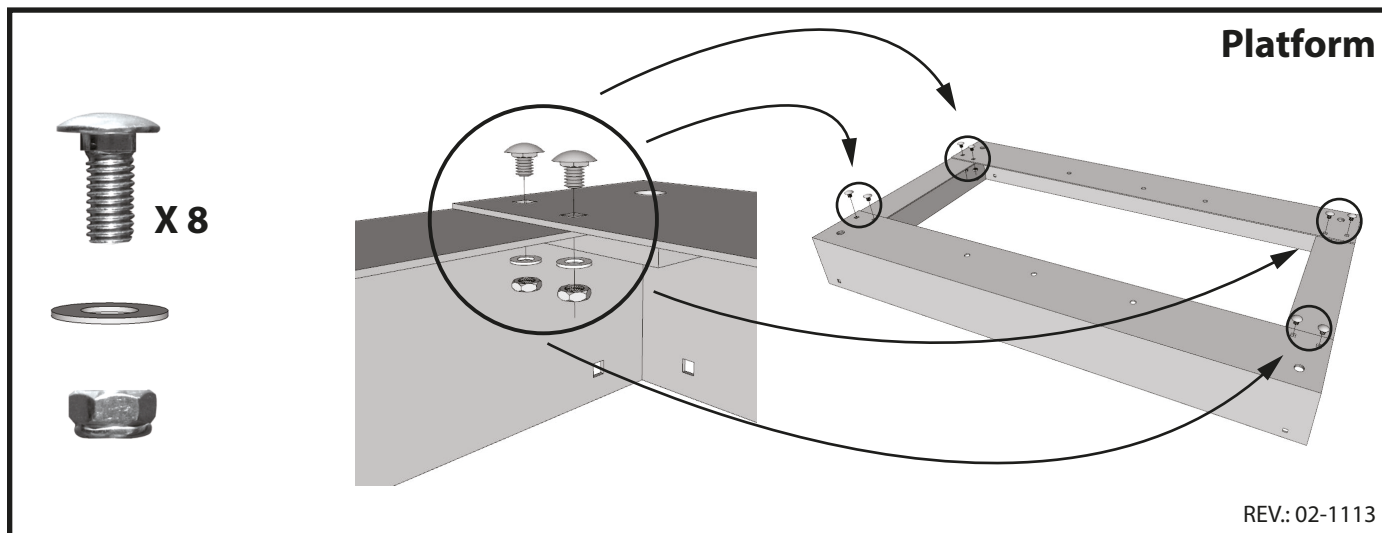
BEFORE INSTALLING THIS PRODUCT:
PLEASE MAKE SURE YOU OBSERVE
ALL BUILDING CODES IN YOUR AREA.



WWW.PYLEX.COM • 1 800 264-1881

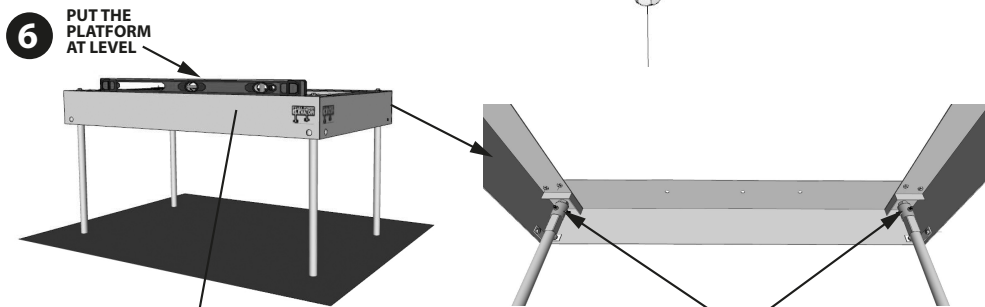
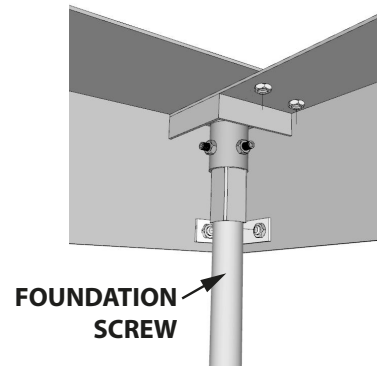
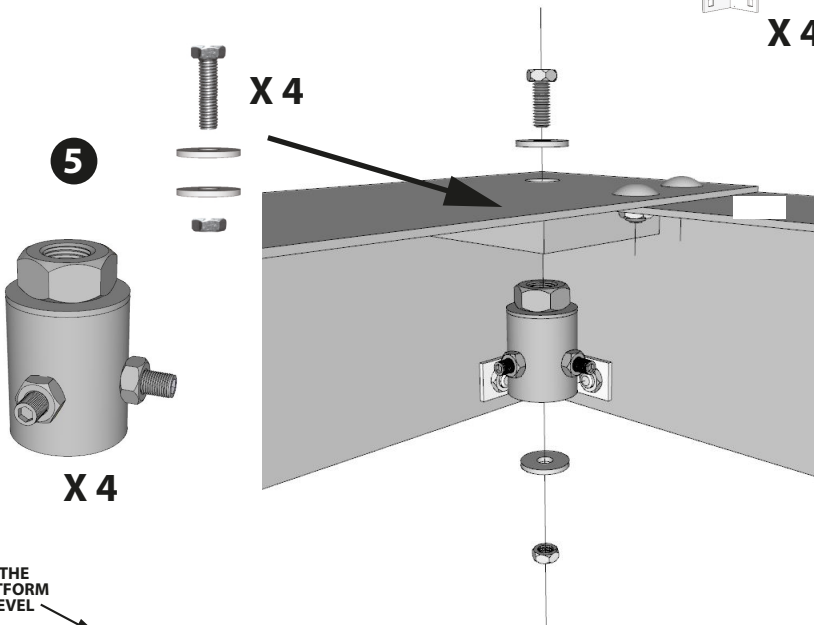
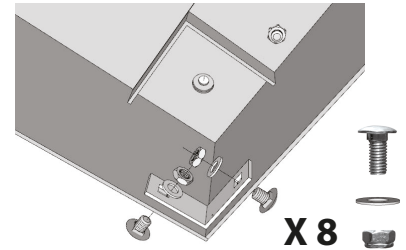
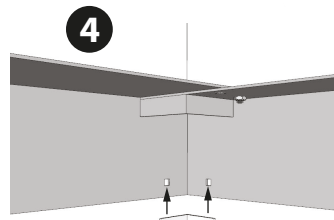
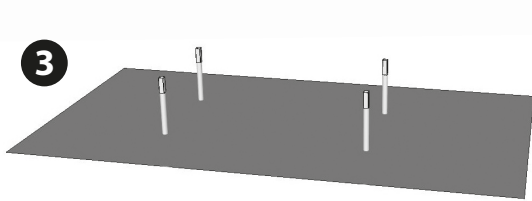
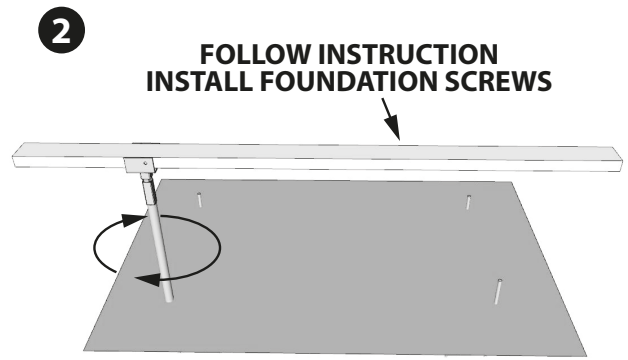
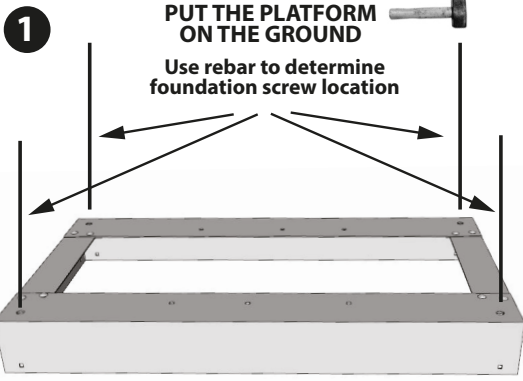
REV.: 02-1113

FOUNDATION SCREWS AND PLATFORM - INSTALLATION GUIDE



FOUNDATION SCREWS AND PLATFORM - INSTALLATION GUIDE

FOUNDATION SYSTEM WITHOUT 4" X 4" POST



UNSCREWED THE ALLEN BOLT AND LEVEL THE PLAFORM

