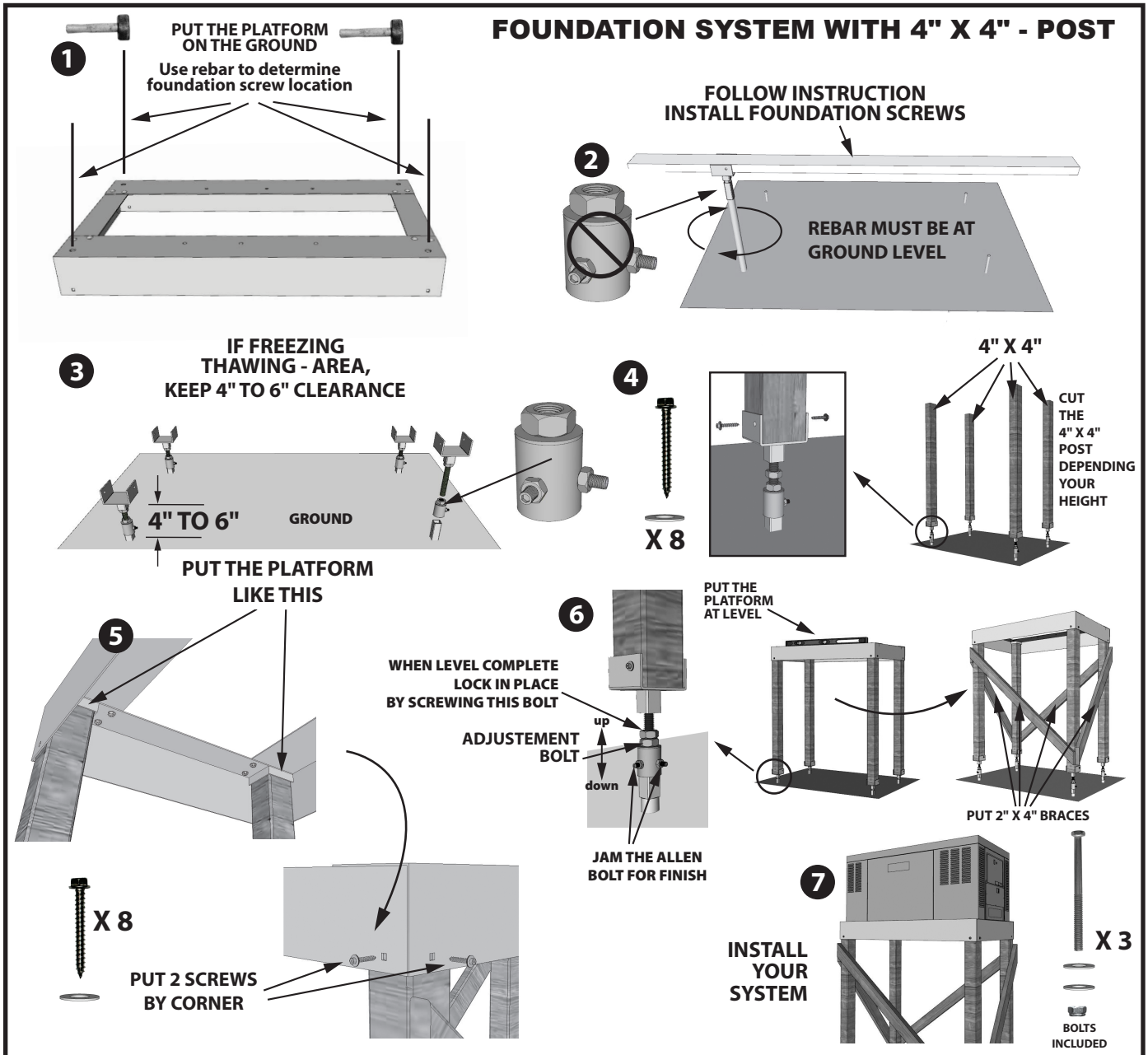
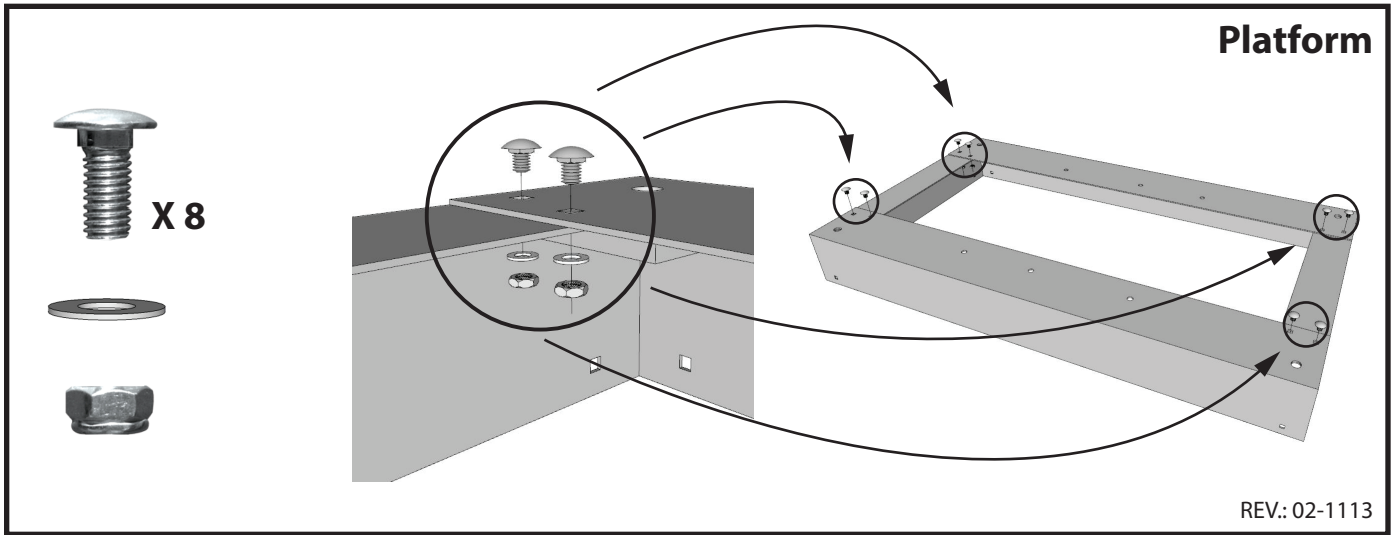


# FOUNDATION SCREWS AND PLATFORM - INSTALLATION GUIDE

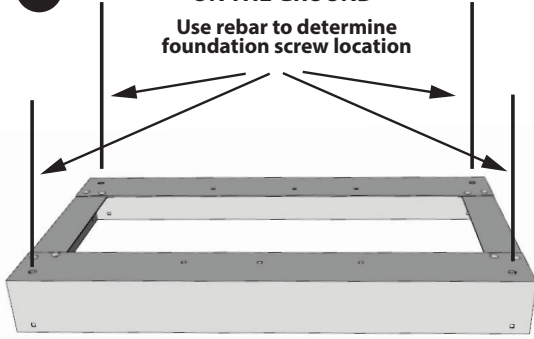


# FOUNDATION SCREWS AND PLATFORM - INSTALLATION GUIDE

## FOUNDATION SYSTEM WITHOUT 4" X 4" POST

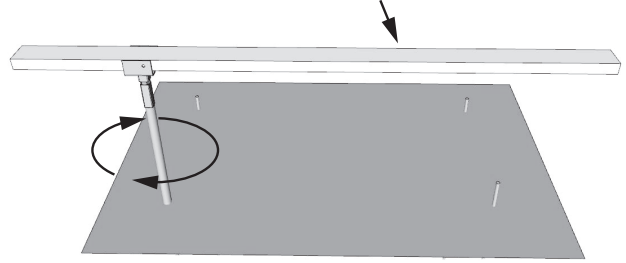
**1**

**PUT THE PLATFORM ON THE GROUND**  
Use rebar to determine foundation screw location

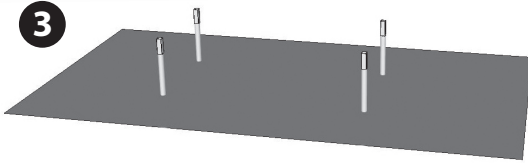


**2**

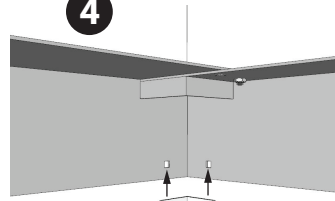
**FOLLOW INSTRUCTION INSTALL FOUNDATION SCREWS**



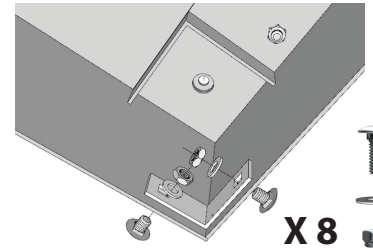
**3**



**4**

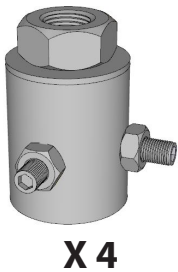


**X 4**



**X 8**

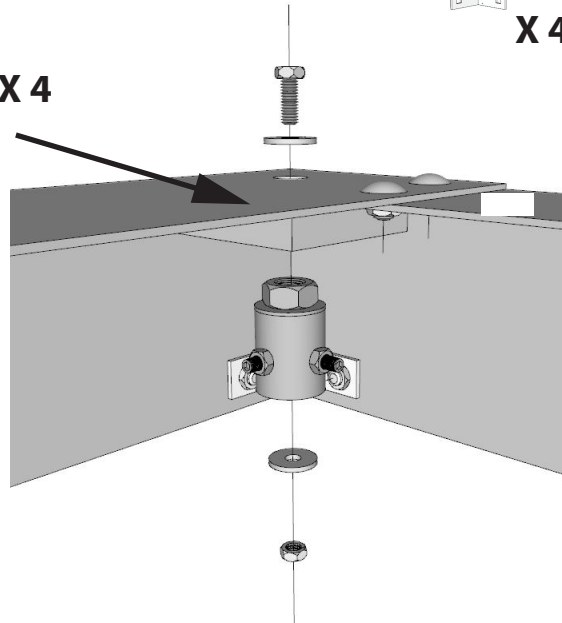
**5**



**X 4**



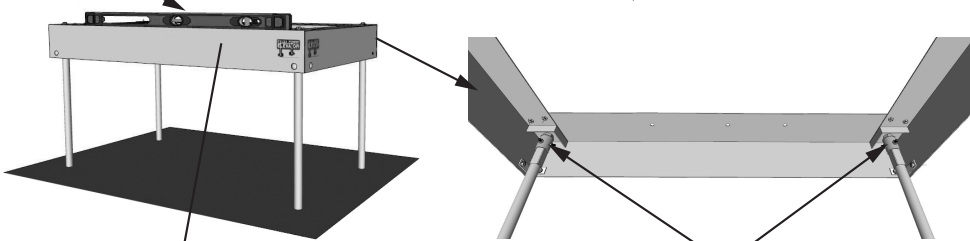
**X 4**



**FOUNDATION SCREW**

**6**

**PUT THE PLATFORM AT LEVEL**

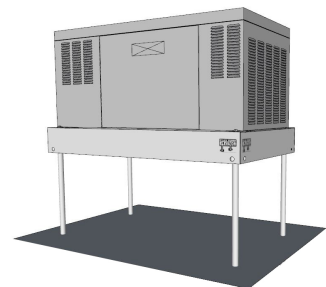
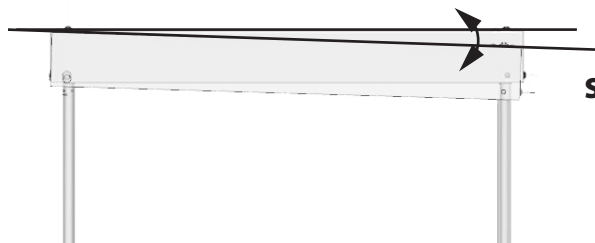


**UNSCREWED THE ALLEN BOLT AND LEVEL THE PLAFORM**

**WHEN LEVEL COMPLETE SCREWED THESE ALLEN BOLTS FOR LOCK**

**7**

**INSTALL YOUR SYSTEM**



**X 3**



**BOLTS INCLUDED**